

THIS DRAWING IS UNPUBLISHED.

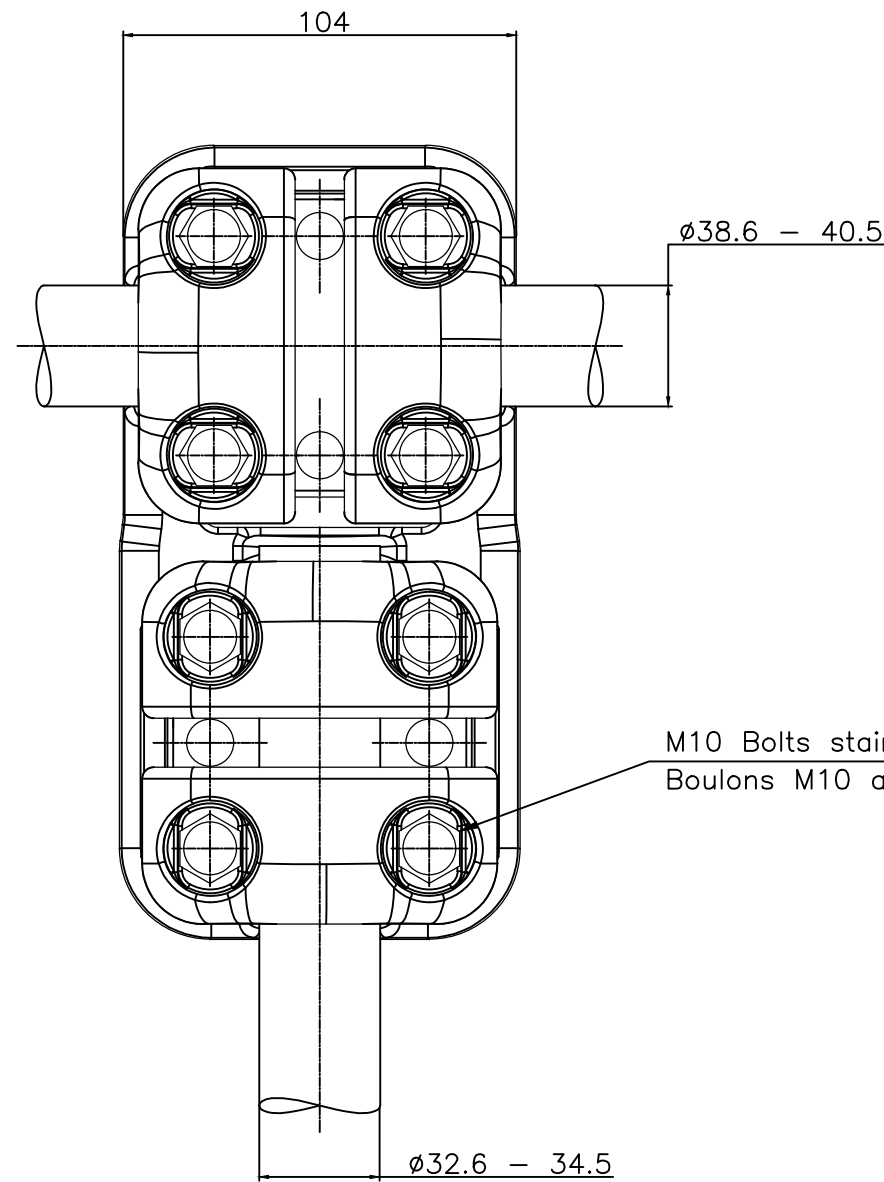
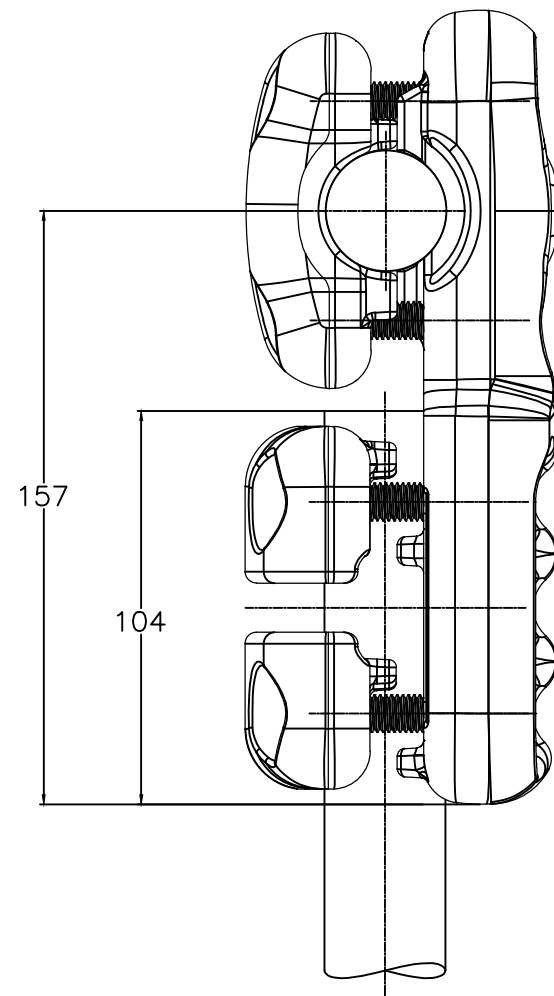
RELEASED FOR PUBLICATION

ALL RIGHTS RESERVED.

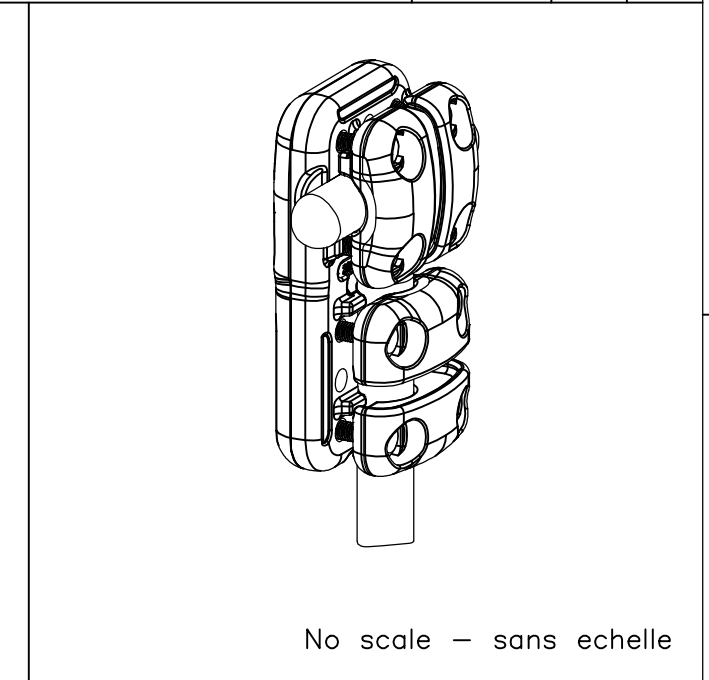
© COPYRIGHT - By -

REVISIONS

P	LTR	DESCRIPTION	DATE	DWN	APVD
	A	CREATION	10-OCT-17	GL	-



M10 Bolts stainless steel A2: 37Nm
 Boulons M10 acier inoxydable A2: 37Nm



ITEM:.....

THIS DRAWING IS A CONTROLLED DOCUMENT.		DWN LAFORGE	10-OCT-17	STE TE Connectivity	
DIMENSIONS: mm		CHK	-		
TOLERANCES UNLESS OTHERWISE SPECIFIED:		APVD	-	NAME Tee connector Connecteur en T	
0 PLC ± -		PRODUCT SPEC	108-69096-001	5 CT 82 M405 M345	
1 PLC ± -		APPLICATION SPEC	-	SIZE	A3
2 PLC ± -				CAGE CODE	00779
3 PLC ± -				DRAWING NO	C=2325948
4 PLC ± -				RESTRICTED TO	-
ANGLES ± -					
FINISH		APPROX.WEIGHT	2.1 kg	SCALE	1/2
MATERIAL		CUSTOMER DRAWING		SHEET	1 OF 1
				REV	A