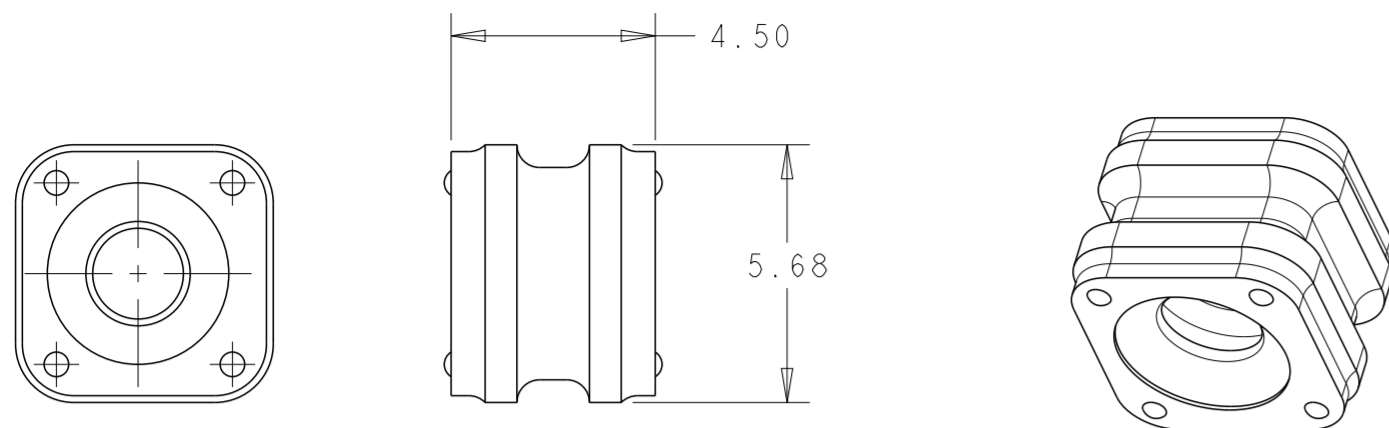
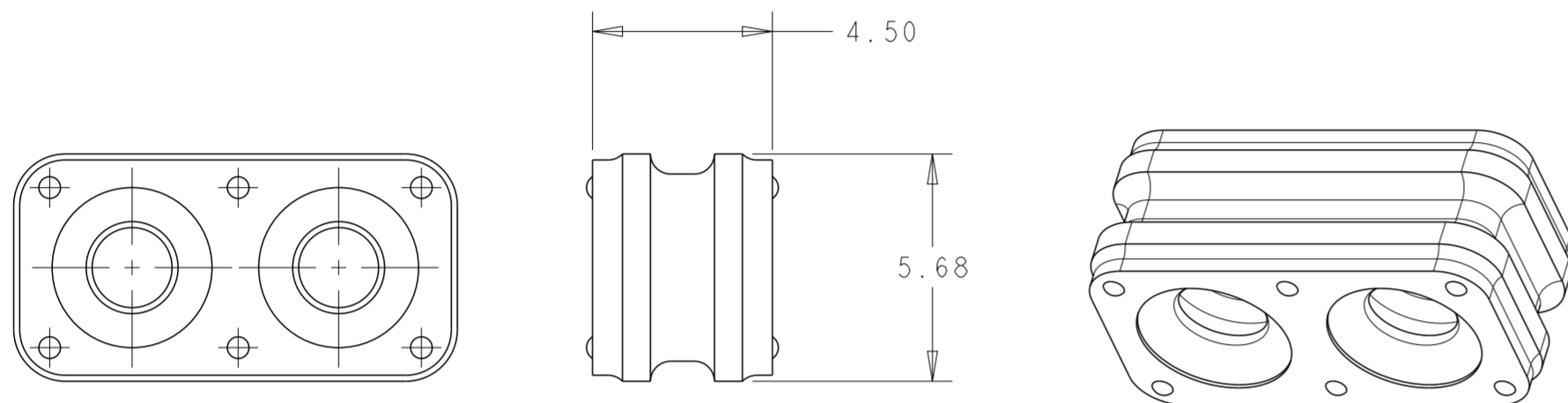


THIS DRAWING IS UNPUBLISHED. RELEASED FOR PUBLICATION 2018  
 © COPYRIGHT 2018 BY - ALL RIGHTS RESERVED.

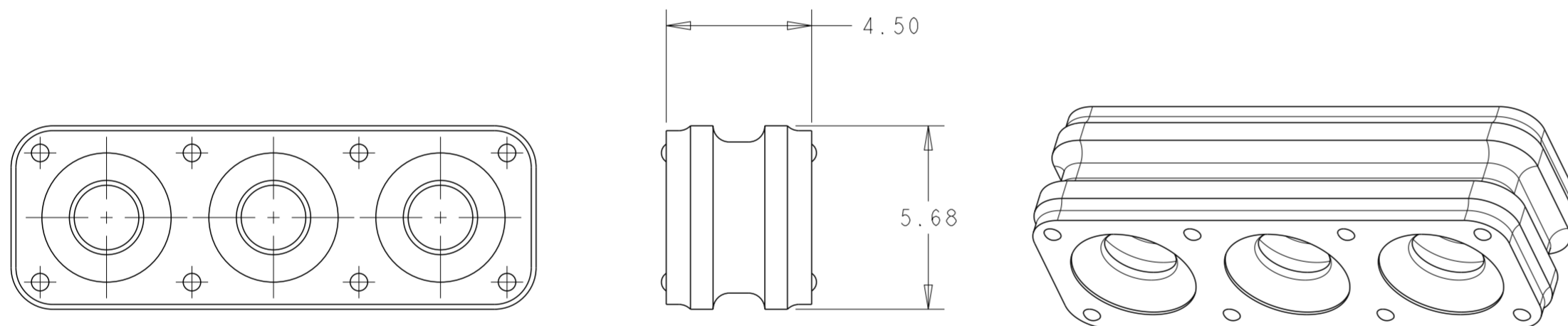
REVISIONS				
P	LTR	DESCRIPTION	DATE	APVD
A2		REVISED PER ECR-22-126000	07JAN2022	SS VS
A3		REVISED PER ECR-22-146203	18JUL2022	AVN VS
A4		REVISED PER ECR-24-199305	23FEB2024	AK DS
A5		REVISED PER ECR-24-204179	20MAR2024	RS DS



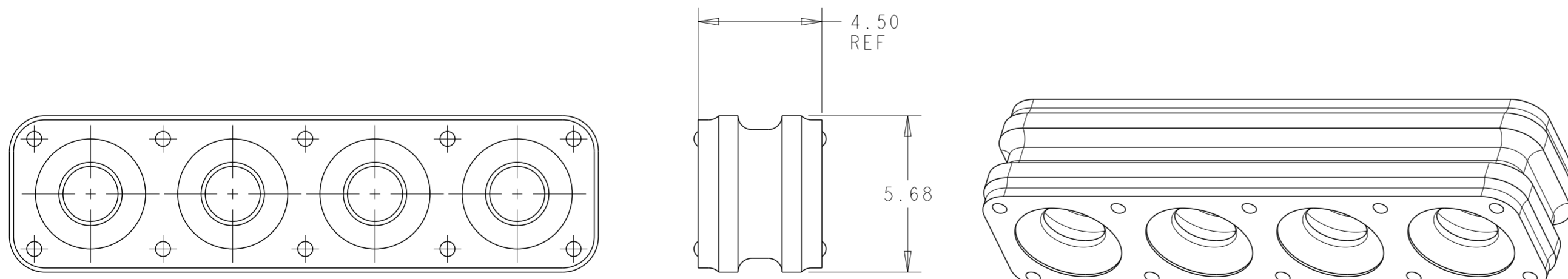
1\*1 POSITION



1\*2 POSITION



1\*3 POSITION



1\*4 POSITION

1 MATERIAL: SILICONE RUBBER, INHERENTLY LUBRICATED  
 COLOR - SEE CHART

2 SEE CHART FOR INSULATION OD RANGE

3 MATING CONNECTOR P/N'S:  
 CAP HSG - \*-2325350-\*/\*-2325043-\*/\*-2336231-\*/  
 \*-2337219-\*/\*-2345729-1  
 PLUG HSG - \*-2332040-\*/\*-2336229-\*/\*-2345728-1  
 CONTACTS - 2329907-\*/2329908-\*/2329911-\*/2329914-\*/  
 2329916-\*/2329917-\*/  
 BACK COVER (OPTIONAL) - 2324614-\*/2340648-6

4 PRELIMINARY PART - NOT RELEASED FOR PRODUCTION  
 THIS PRODUCT HAS NOT COMPLETED QUALIFICATION TESTING

PACKAGE QTY	COLOR	INSULATION OD RANGE	POSITIONS	PART NUMBER
5600	GREEN	1.30-2.40	1*4	3-2325349-4
6000	GREEN	1.30-2.40	1*2	3-2325349-2
-	GREEN	1.30-2.40	1*4	1-2325349-4
8000	GREEN	1.30-2.40	1*3	1-2325349-3
-	GREEN	1.30-2.40	1*2	1-2325349-2
-	GREEN	1.30-2.40	1*1	1-2325349-1
6000	BLUE	2.45-3.60	1*4	2325349-4
8000	BLUE	2.45-3.60	1*3	2325349-3
10000	BLUE	2.45-3.60	1*2	2325349-2
12000	BLUE	2.45-3.60	1*1	2325349-1

THIS DRAWING IS A CONTROLLED DOCUMENT.		DWN B. WEAVER 15JUN2018	TE Connectivity	
DIMENSIONS: mm		CHK S. FERNANDES 15JUN2018		
TOLERANCES UNLESS OTHERWISE SPECIFIED:		APVD C. YI 15JUN2018	NAME GANG SEAL, POWER VERSA-LOCK	
0 PLC ±	1 PLC ±	PRODUCT SPEC 108-143081	SIZE A2	CAGE CODE 00779
2 PLC ±0.50	3 PLC ±	APPLICATION SPEC 114-143082	DRAWING NO C-2325349	RESTRICTED TO -
4 PLC ±	ANGLES ±	WEIGHT -	SCALE 6:1	SHEET 1 OF 1
FINISH -	-	CUSTOMER DRAWING	REV A5	-