

THIS DRAWING IS UNPUBLISHED.

RELEASED FOR PUBLICATION

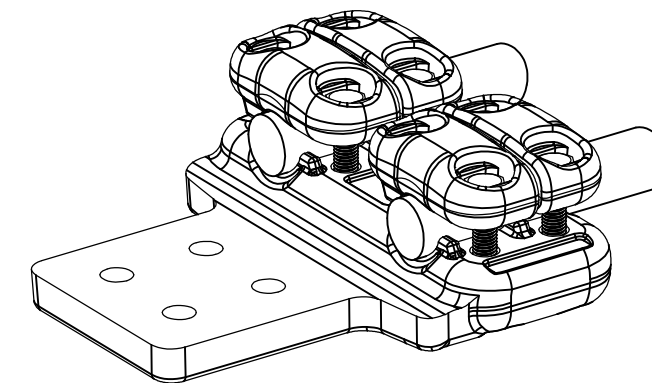
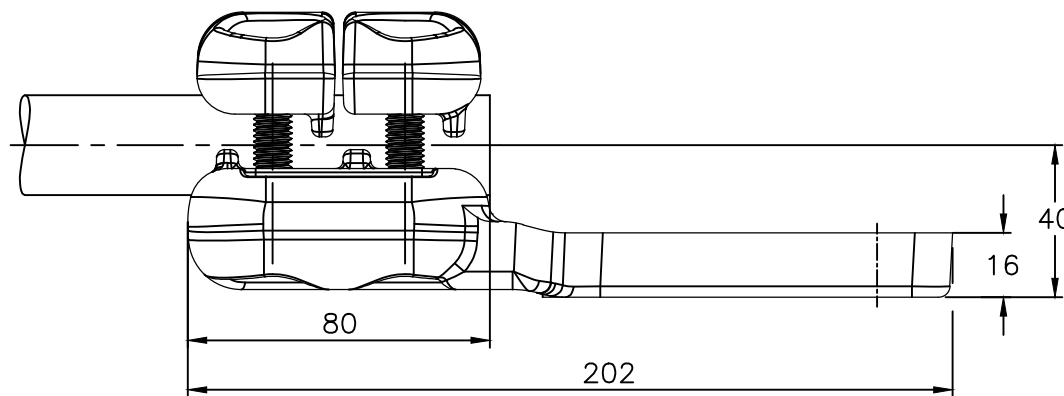
---

REVISIONS

© COPYRIGHT - By -

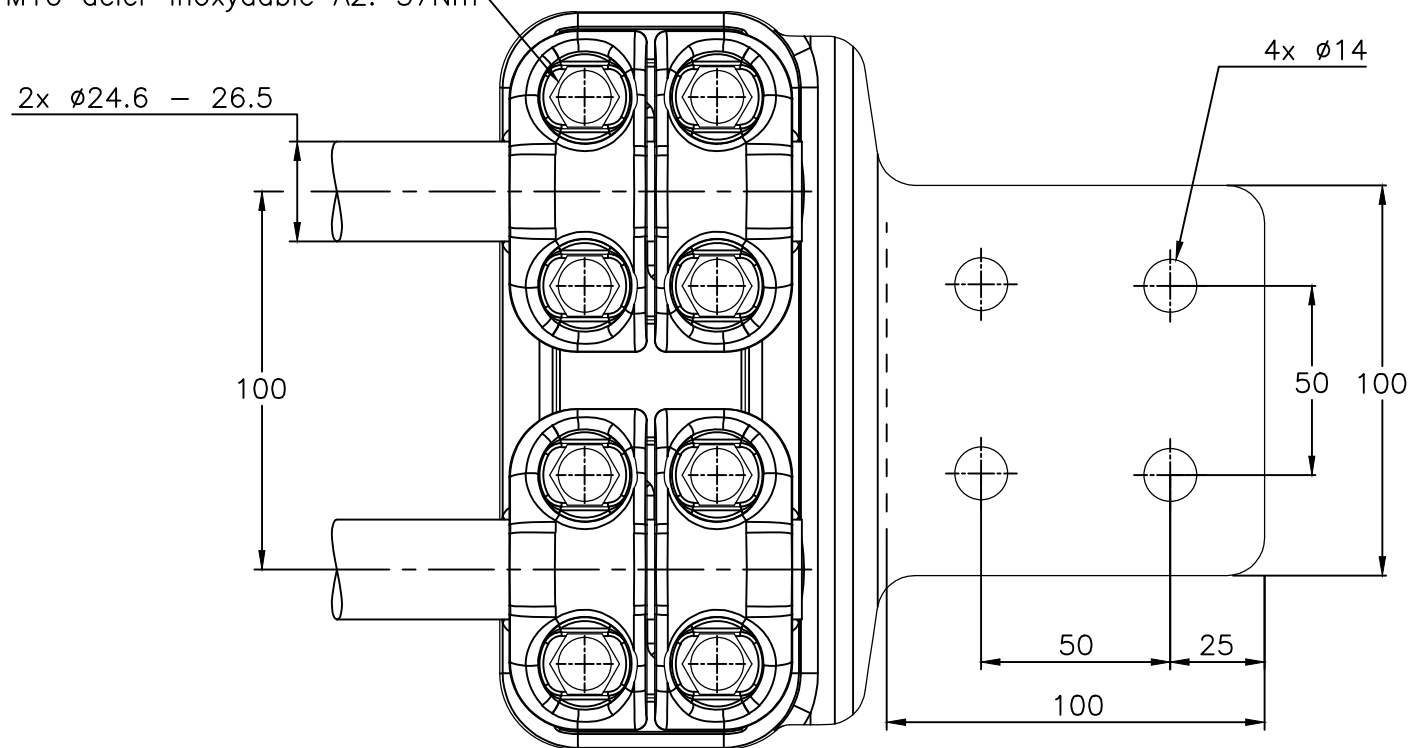
ALL RIGHTS RESERVED.

P	LTR	DESCRIPTION	DATE	DWN	APVD
	B	UPDATED DRAWING	25-APR-18	BH	-


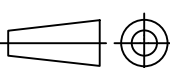


No scale  
Sans échelle

M10 Bolts stainless steel A2: 37Nm  
Boulons M10 acier inoxydable A2: 37Nm



ITEM:.....

THIS DRAWING IS A CONTROLLED DOCUMENT.		DWN HUARD	03-Oct-17	 <b>TE Connectivity</b>	
DIMENSIONS: mm		CHK	-		
TOLERANCES UNLESS OTHERWISE SPECIFIED:		APVD	-	NAME Pad connector for twin cables Raccord à page pour faisceau double	
		PRODUCT SPEC	108-69096-001	5 PD 82 F S265 E100 100 C34	
MATERIAL		APPLICATION SPEC	-	SIZE	A3
FINISH		APPROX. WEIGHT	2.3 kg	CAGE CODE	00779
		CUSTOMER DRAWING		DRAWING NO	C=2325276
		SCALE	1:2	SHEET	1 OF 1
		RESTRICTED TO	-	REV	B