

THIS DRAWING IS UNPUBLISHED.

RELEASED FOR PUBLICATION

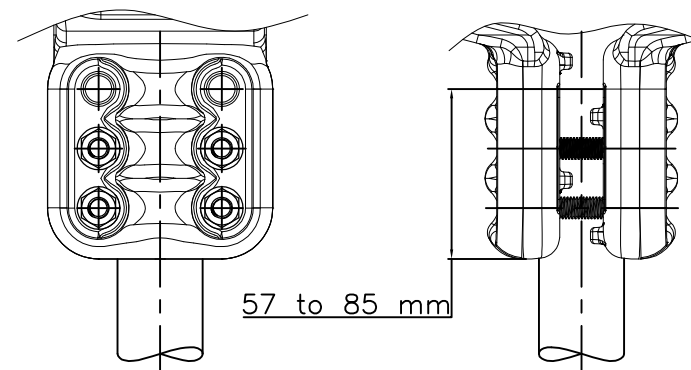
-. - .

REVISIONS

© COPYRIGHT - By -

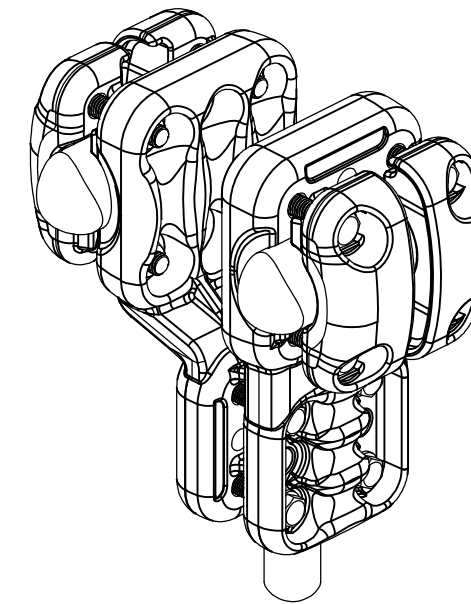
ALL RIGHTS RESERVED.

P	LTR	DESCRIPTION	DATE	DWN	APVD
	A	CREATION	22-SEP-17	GL	-



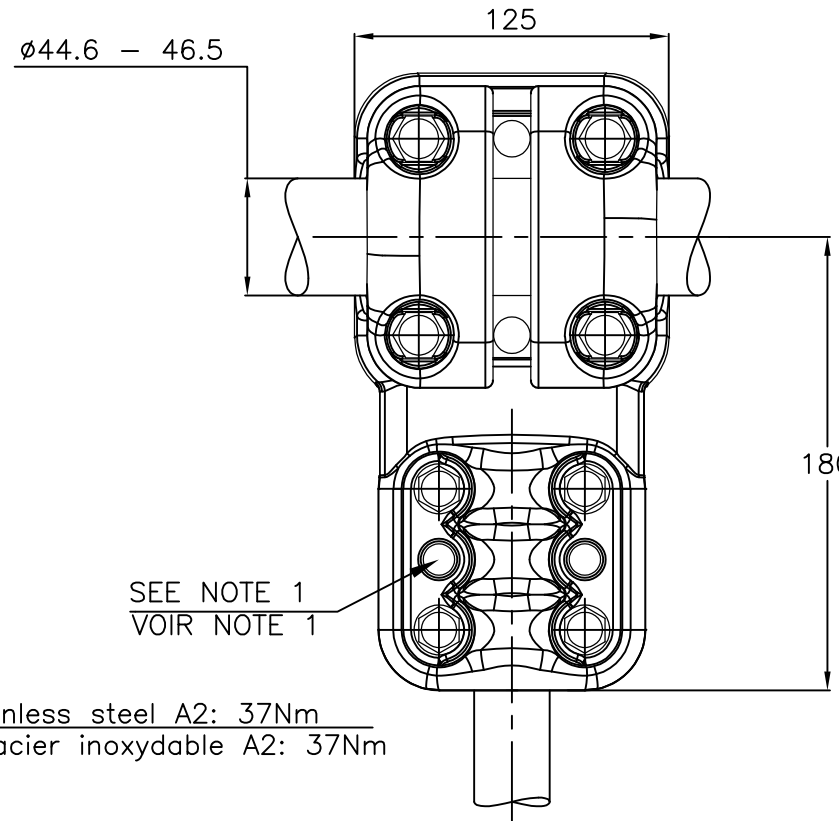
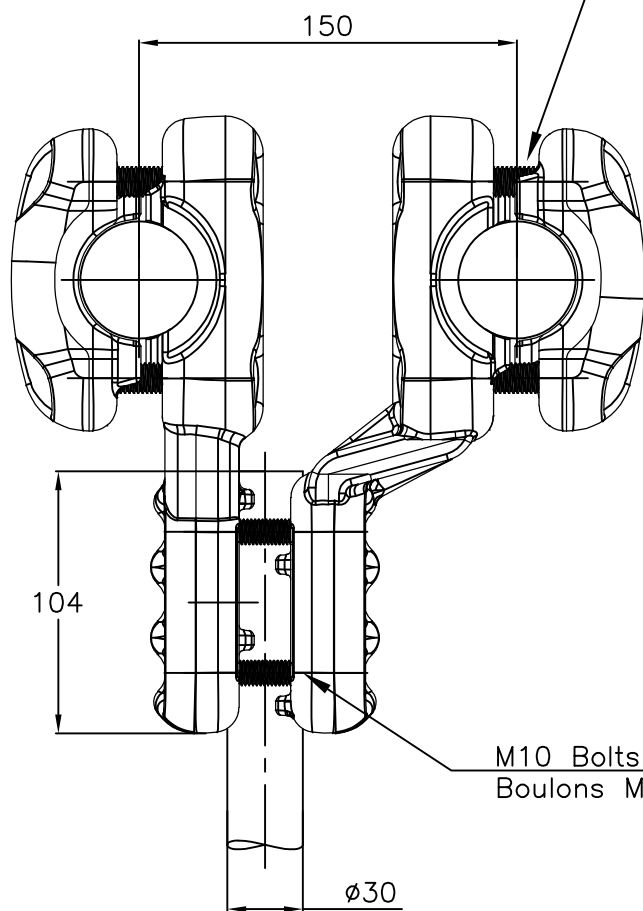
57 to 85 mm

NOTE 1: Bolts Assembly for Stud length 57 to 85mm
 Assemblage Boulons sur Borne longueur 57 à 85mm




No scale
 Sans échelle

M12 Bolts stainless steel A2: 60Nm
 Boulons M12 acier inoxydable A2: 60Nm



M10 Bolts stainless steel A2: 37Nm
 Boulons M10 acier inoxydable A2: 37Nm

ITEM:.....

THIS DRAWING IS A CONTROLLED DOCUMENT.		DWN LAFORGE 22-SEP-17	 TE Connectivity													
DIMENSIONS: mm		CHK -														
TOLERANCES UNLESS OTHERWISE SPECIFIED:		APVD -	NAME TEE CONNECTOR TWIN TO STUD RACCORD EN TEE FAISCEAU DOUBLE SUR BORNE													
<table border="0"> <tr><td>0 PLC</td><td>± -</td></tr> <tr><td>1 PLC</td><td>± -</td></tr> <tr><td>2 PLC</td><td>± -</td></tr> <tr><td>3 PLC</td><td>± -</td></tr> <tr><td>4 PLC</td><td>± -</td></tr> <tr><td>ANGLES</td><td>± -</td></tr> </table>		0 PLC	± -	1 PLC	± -	2 PLC	± -	3 PLC	± -	4 PLC	± -	ANGLES	± -	PRODUCT SPEC 108-69096-001	5 CT 82 F L465 E150 M305	
0 PLC	± -															
1 PLC	± -															
2 PLC	± -															
3 PLC	± -															
4 PLC	± -															
ANGLES	± -															
MATERIAL -		FINISH -	SIZE A3	CAGE CODE 00779												
		APPROX.WEIGHT 5.44 kg	DRAWING NO C=2325262	RESTRICTED TO -												
CUSTOMER DRAWING			SCALE 1:3	SHEET 1 OF 1												
			REV A													