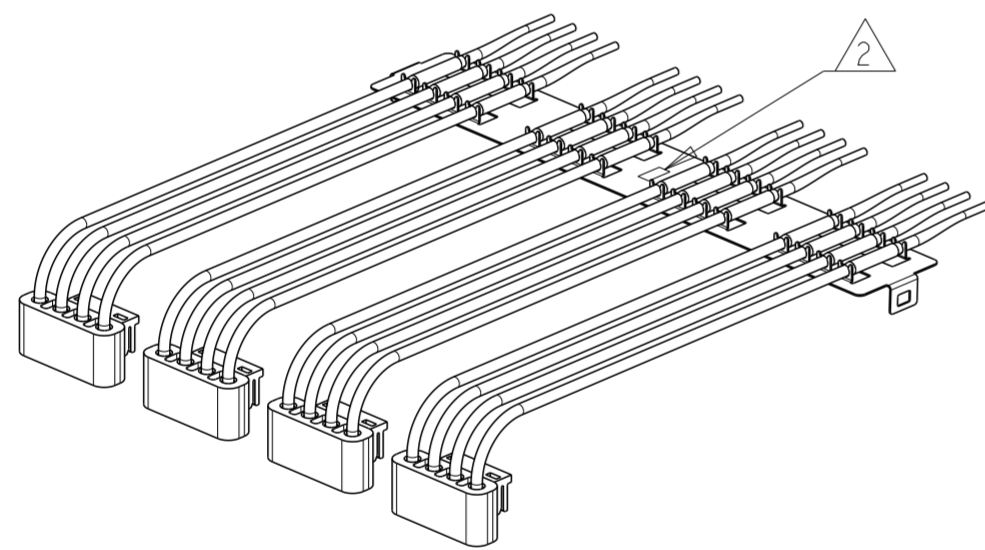
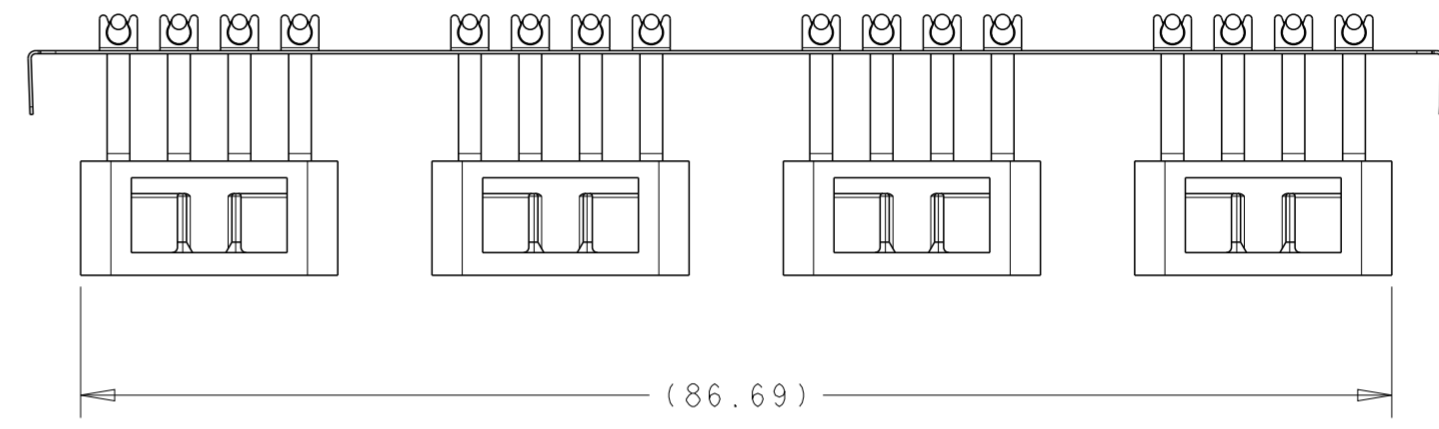
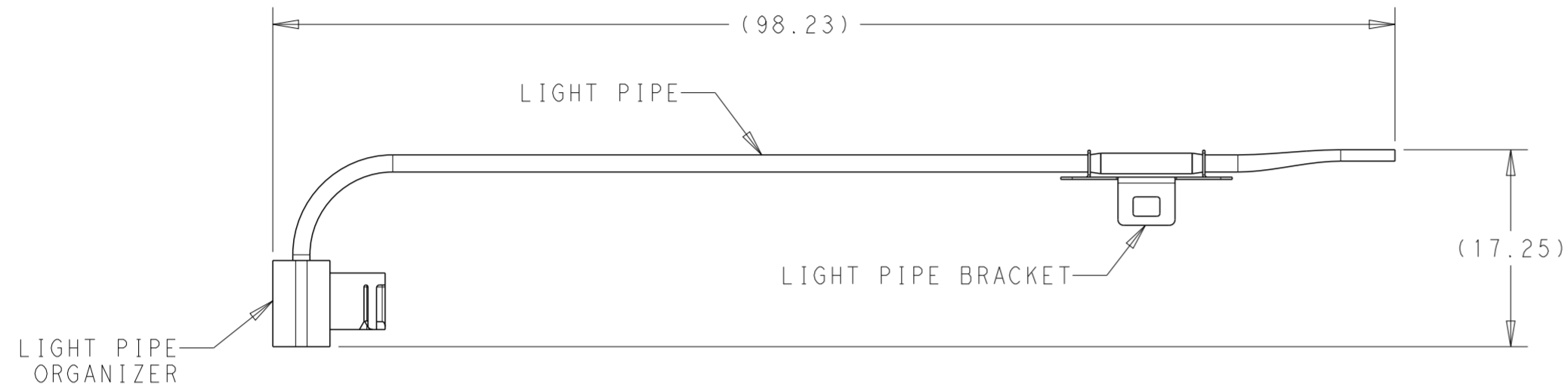
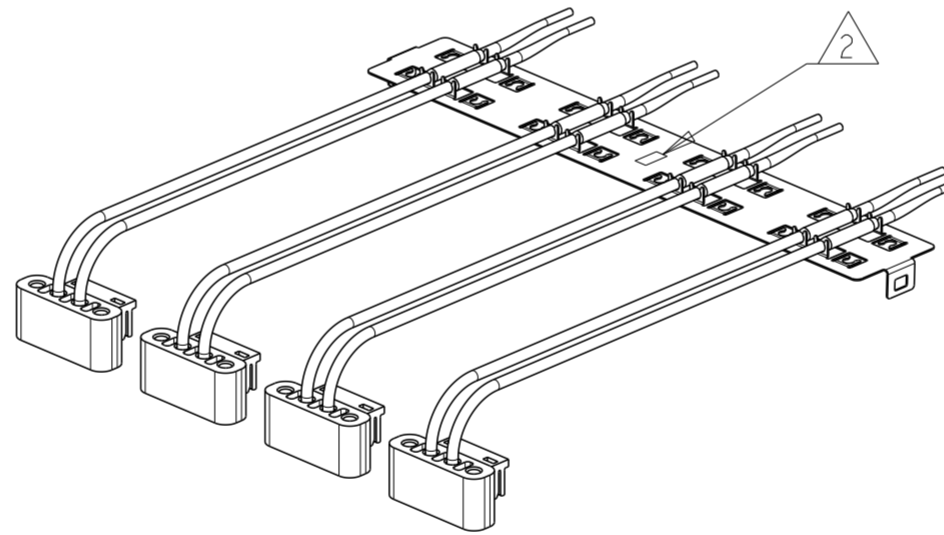


THIS DRAWING IS UNPUBLISHED. RELEASED FOR PUBLICATION 20
 © COPYRIGHT 20 BY - ALL RIGHTS RESERVED.

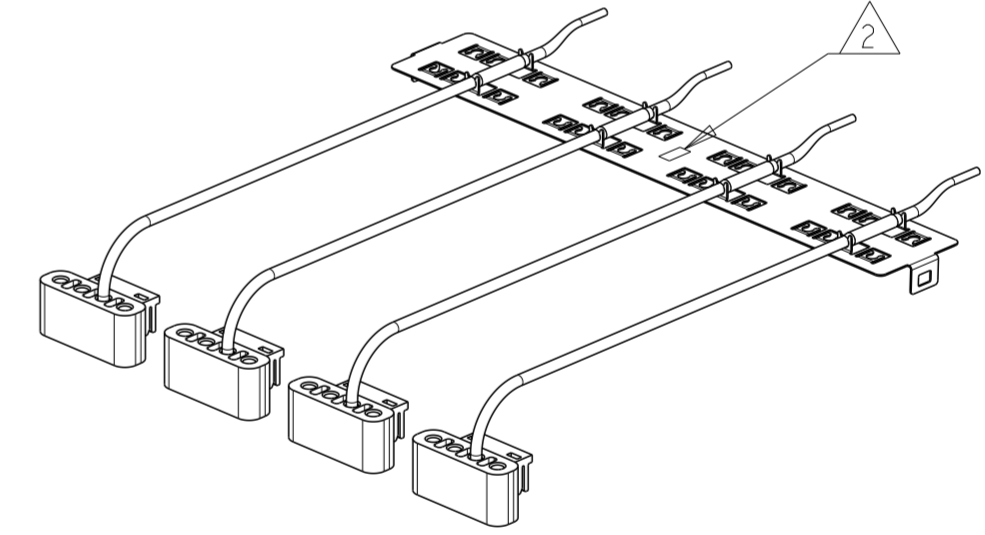
REVISIONS					
P	LTR	DESCRIPTION	DATE	DWN	APVD
A		REVISED PER ECO-18-005007	23APR2018	AP	EB
A1		REVISED PER ECN-24-261819	10APR2024	ES	SZ



2325080-4
SCALE 1:1



2325080-5
SCALE 1:1



2325080-6
SCALE 1:1

1 LIGHT PIPE - CLEAR POLYCARBONATE.
 LIGHT PIPE ORGANIZER - POLYCARBONATE.
 LIGHT PIPE BRACKET - STAINLESS STEEL.

2 MANUFACTURING LOCATION IDENTIFIER:
 GD FOR GUANGDONG, JH FOR MALAYSIA JOHOR.

1	2325080-6
2	2325080-5
4	2325080-4
LIGHT PIPES PER PORT	PART NUMBER

THIS DRAWING IS A CONTROLLED DOCUMENT.		DWN M. SHIRK 17JAN2018	TE Connectivity		
		CHK E. BRIANT 17JAN2018			
DIMENSIONS: mm		TOLERANCES UNLESS OTHERWISE SPECIFIED: 0 PLC ± 1 PLC ± 2 PLC ± 3 PLC ± 4 PLC ± ANGLES ± FINISH -		NAME LIGHT PIPE ASSEMBLY, 1X4, OSFP	
		APVD - PRODUCT SPEC - APPLICATION SPEC - WEIGHT -		SIZE A2 CAGE CODE 00779 DRAWING NO C-2325080 RESTRICTED TO -	
MATERIAL -1		CUSTOMER DRAWING		SCALE 2:1 SHEET 1 OF 1 REV A1	