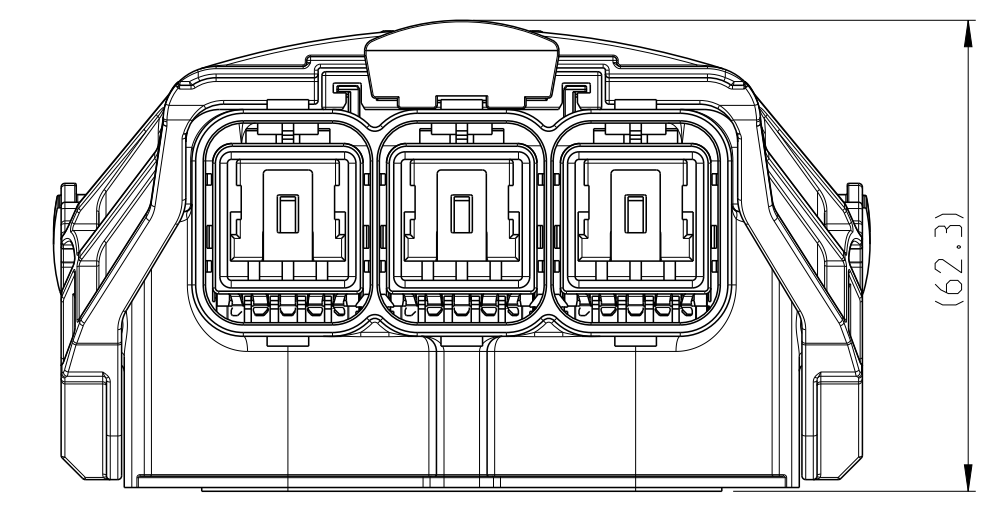
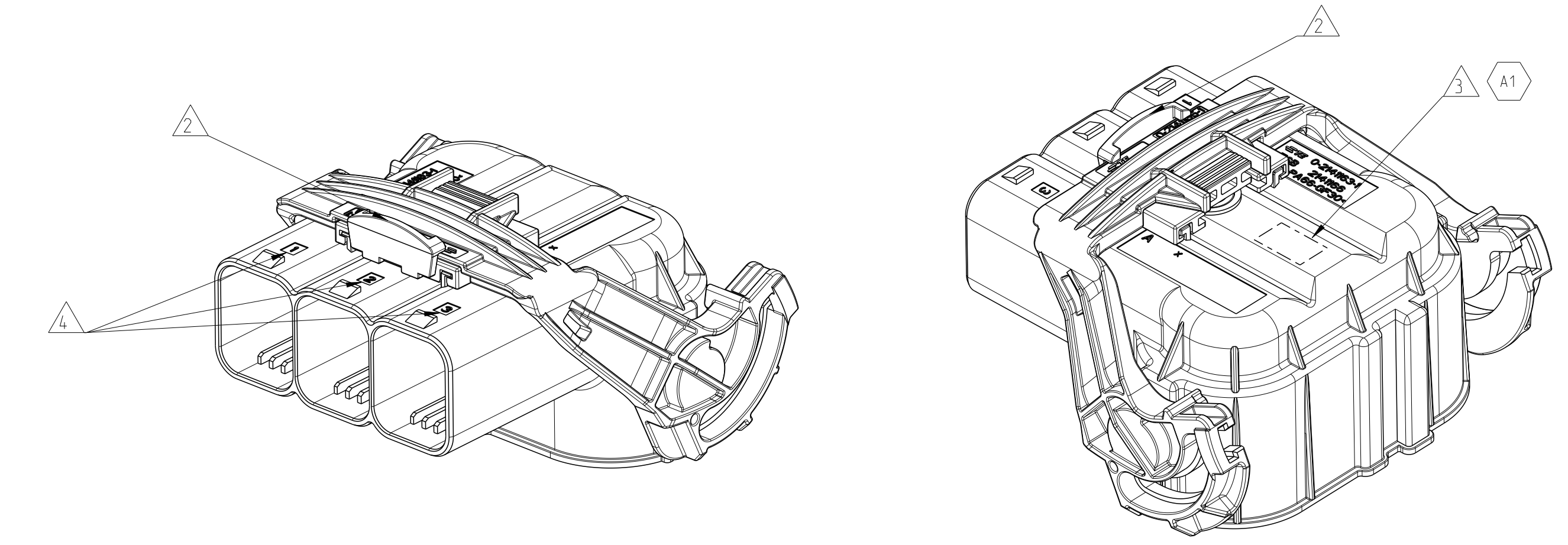
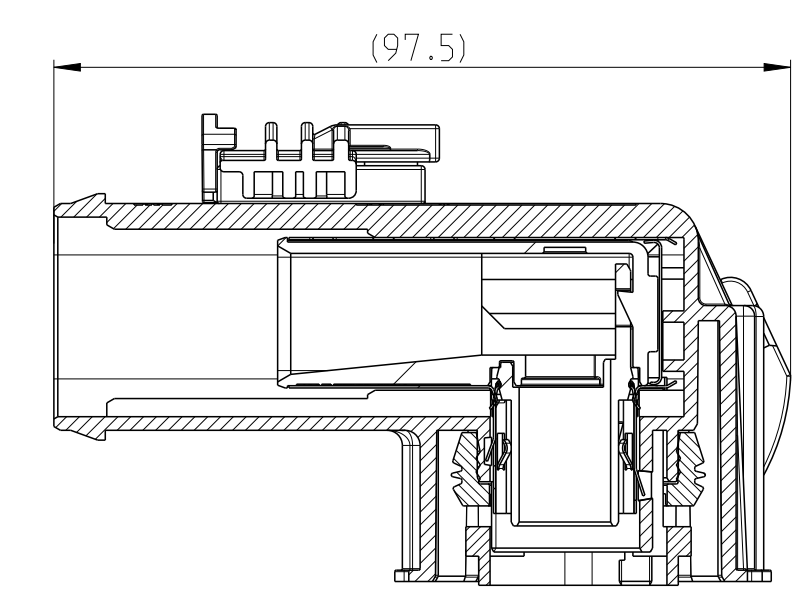
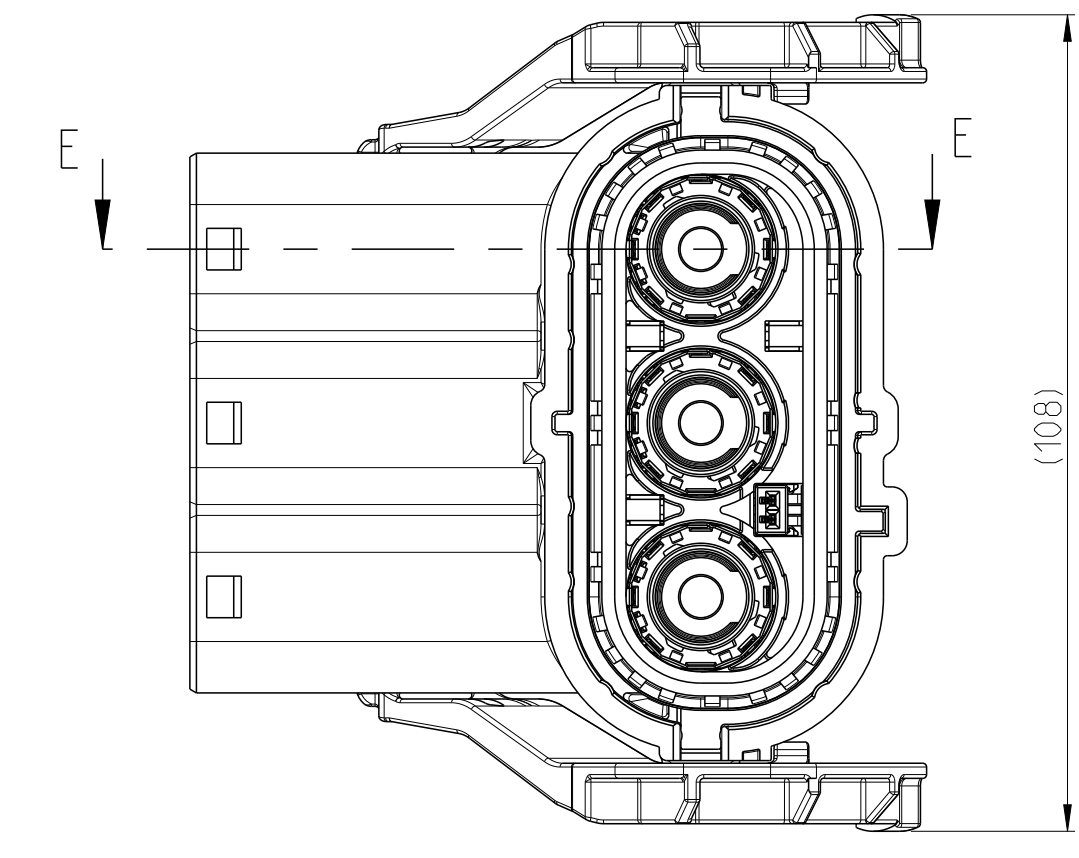
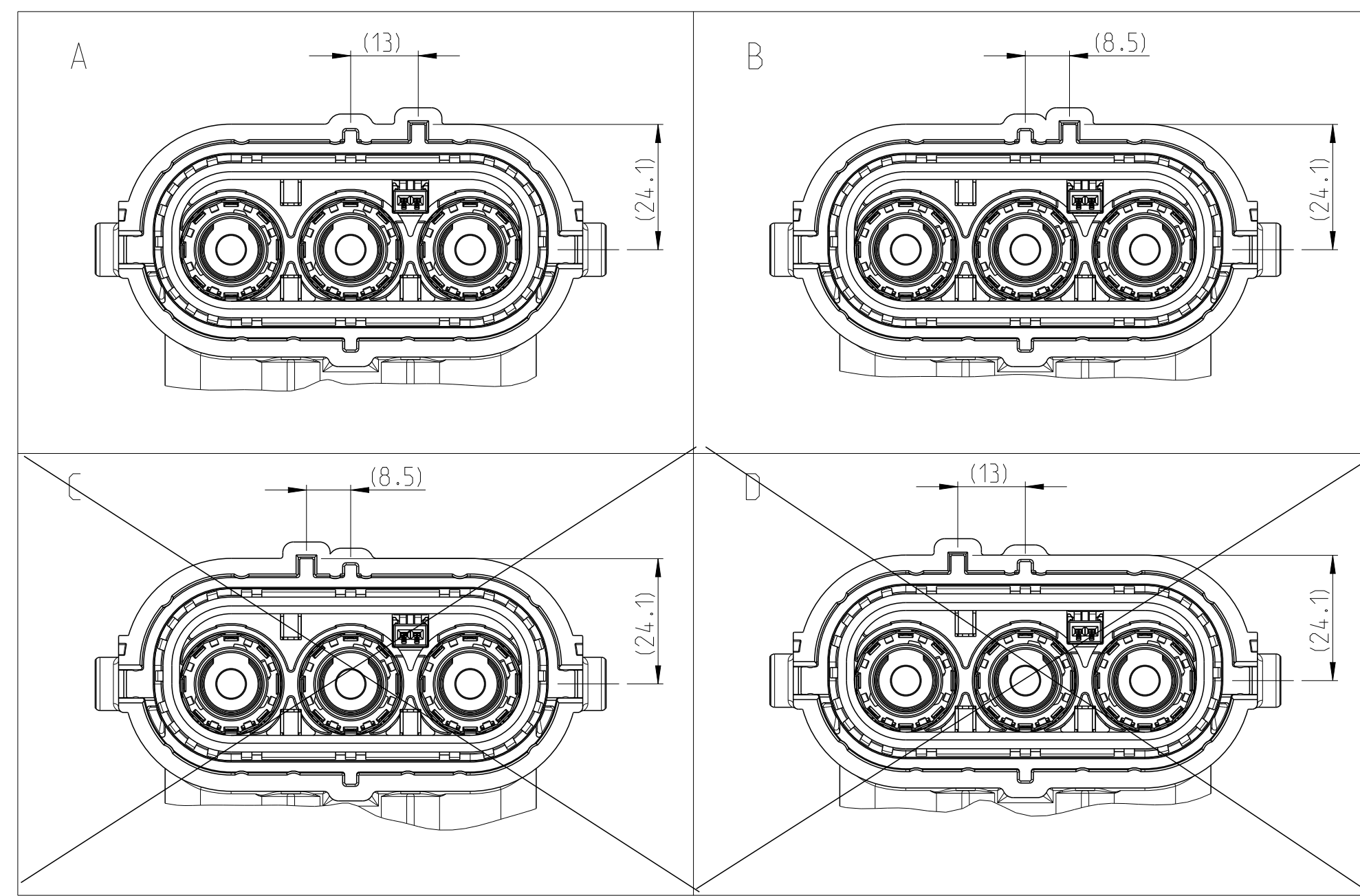


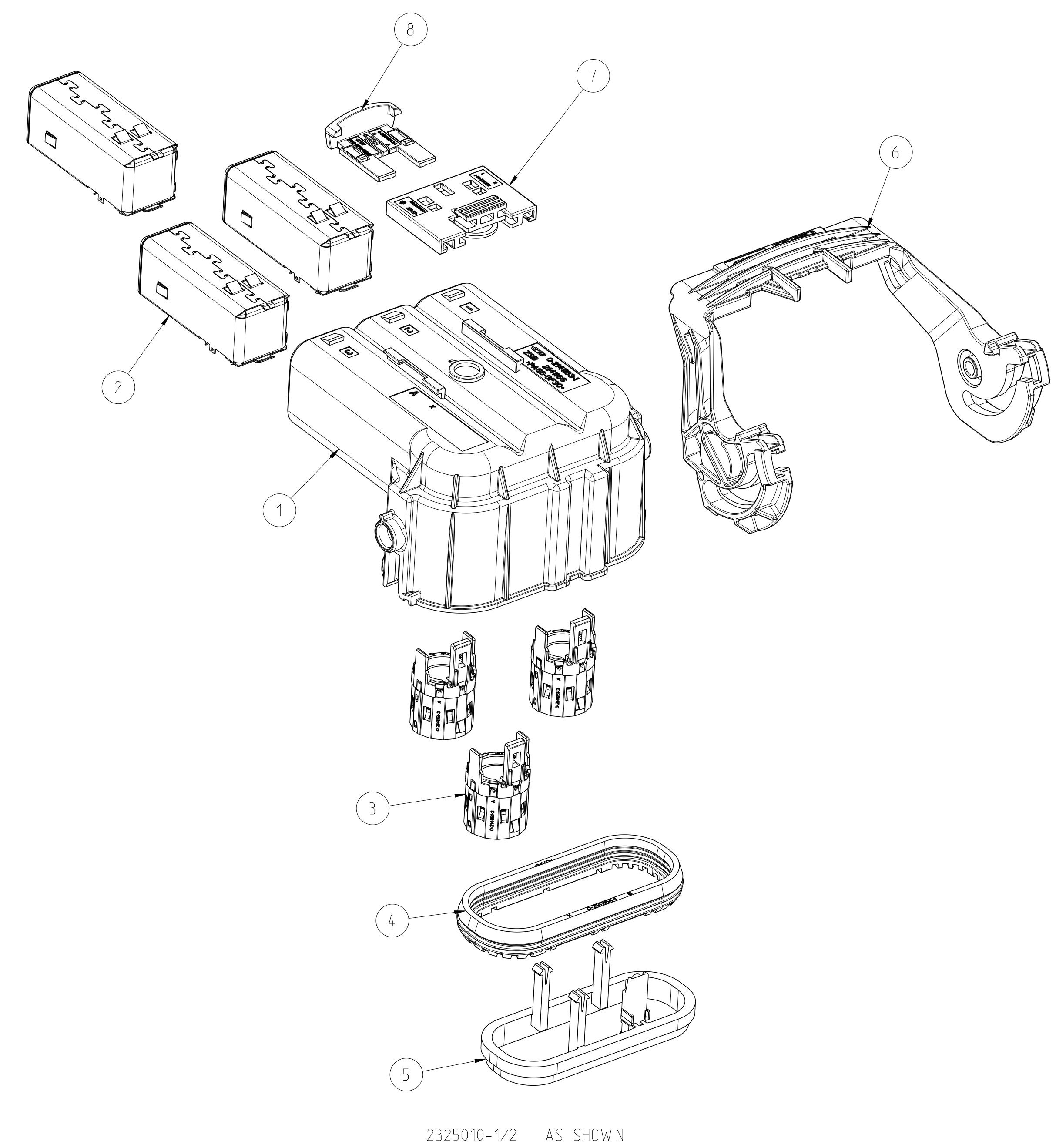
REVISIONS			
REV	DATE	BY	APPD
A	30NOV2017	D.J.	L.Y.
A1	09OCT2018	D.J.	E.J.



NOTES

- 1 SPECIFIED WIRE RANGE: SEE
- 2 SUPPLY CONDITION: LEVER IN ENDLOCKING POSITION
- 3 PRODUCTION DATE: HH:MM D/W W/YY
- 4 CAVITY IDENTIFICATION
- 5 MATING CONNECTOR: 3POS.PIN DIA 8.0.PIN HSG.ASSY TE-PN:2325013
- 6 PRODUCT-SPEC. REFER TO 108-94268. OPERATION TEMPERATURE:-40-125 °C
- 7 APPLICATION-SPEC REFER TO 114-94052

1	1	-	-	CPA	PA66-GF30 V0	RED	8
-	-	1	1	CPA	PA6-(GF10-GB20) HB	RED	
1	1	-	-	Adapter	PA66-GF15 V0	DUSTY GRAY	7
-	-	1	1	Adapter	PA66-GF30 HB	DUSTY GRAY	
1	-	-	-	LEVER, 3POS, 90 DEG	PA66-GF30 V0	WHITE	6
-	1	-	-	LEVER, 3POS, 90 DEG	PA66-GF30 V0	BLACK	
-	-	1	-	LEVER, 3POS, 90 DEG	PA66-GF30 HB	WHITE	
-	-	-	1	LEVER, 3POS, 90 DEG	PA66-GF30 HB	BLACK	
1	1	-	-	3POS, MCON-1.2, REC HSG, 90 DEG, ASSY	-	-	5
-	-	1	1	3POS, MCON-1.2, REC HSG, 90 DEG, Assy	-	-	
1	1	1	1	RADIAL SEAL 23.9x65.3	SILICON RUBBER	WHITE	4
3	3	-	-	INSULATION INSERT,90 DEG, ASSY	-	-	3
-	-	3	3	INSULATION INSERT,90 DEG, ASSY	-	-	
3	3	-	-	ASSY: ISULATION INSERT-SHIELDING	-	-	2
-	-	3	3	ASSY: ISULATION INSERT-SHIELDING	-	-	
1	-	-	-	3POS, 8MM HV.REC HSG, 90 DEG, SEALED	PA66-GF30 V0	ORANGE	1
-	1	-	-	3POS, 8MM HV.REC HSG, 90 DEG, SEALED	PA66-GF30 V0	ORANGE	
-	-	1	-	3POS, 8MM HV.REC HSG, 90 DEG, SEALED	PA66-GF30 HB	ORANGE	
-	-	-	1	3POS, 8MM HV.REC HSG, 90 DEG, SEALED	PA66-GF30 HB	ORANGE	
1-2325010-2	1-2325010-1	2325010-2	2325010-1	DESCRIPTION	MATERIAL	SURFACE COLOUR	ITEM
B	A	B	A	CODING			
QTY PER ASSY PARTS							



2325010-1/2 AS SHOWN

THIS DRAWING IS A CONTROLLED DOCUMENT. DATE: 30NOV2017. DRAWN BY: D.J. CHECKED BY: E.JIANG. APPROVED BY: L.YIANG. PRODUCT SPEC: 3POS.8MM HV.REC HSG.90 DEG.ASSY,SEALED. APPLICATION SPEC: CUSTOMER DRAWING. SCALE: 1:1. SHEET: 1 OF 1. REV: A1.