

THIS DRAWING IS UNPUBLISHED.

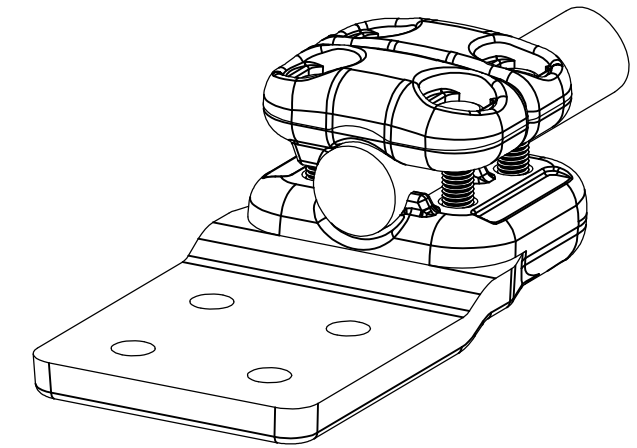
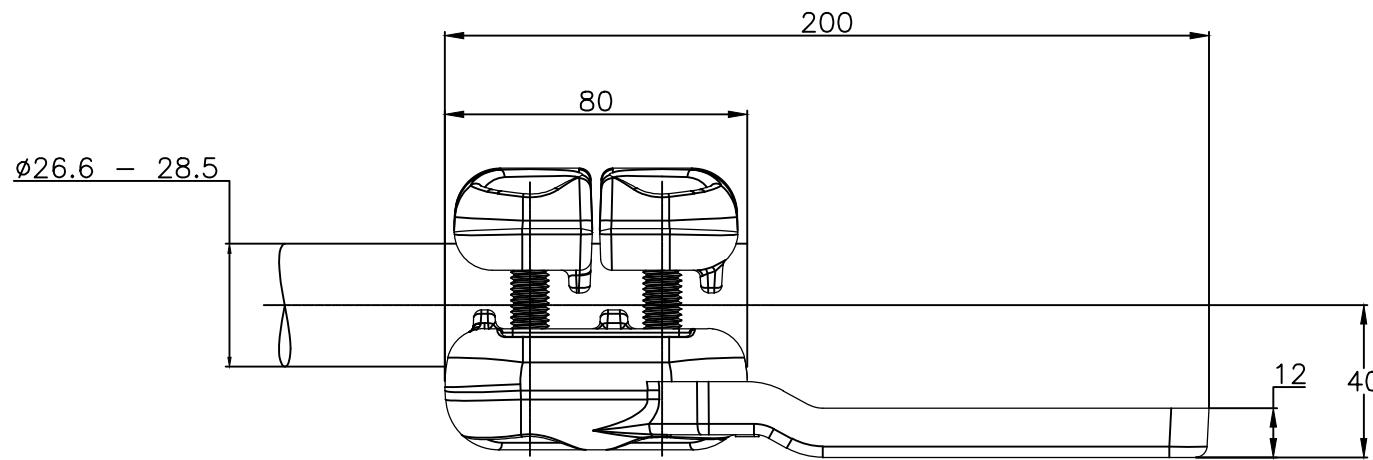
RELEASED FOR PUBLICATION

© COPYRIGHT - By -

ALL RIGHTS RESERVED.

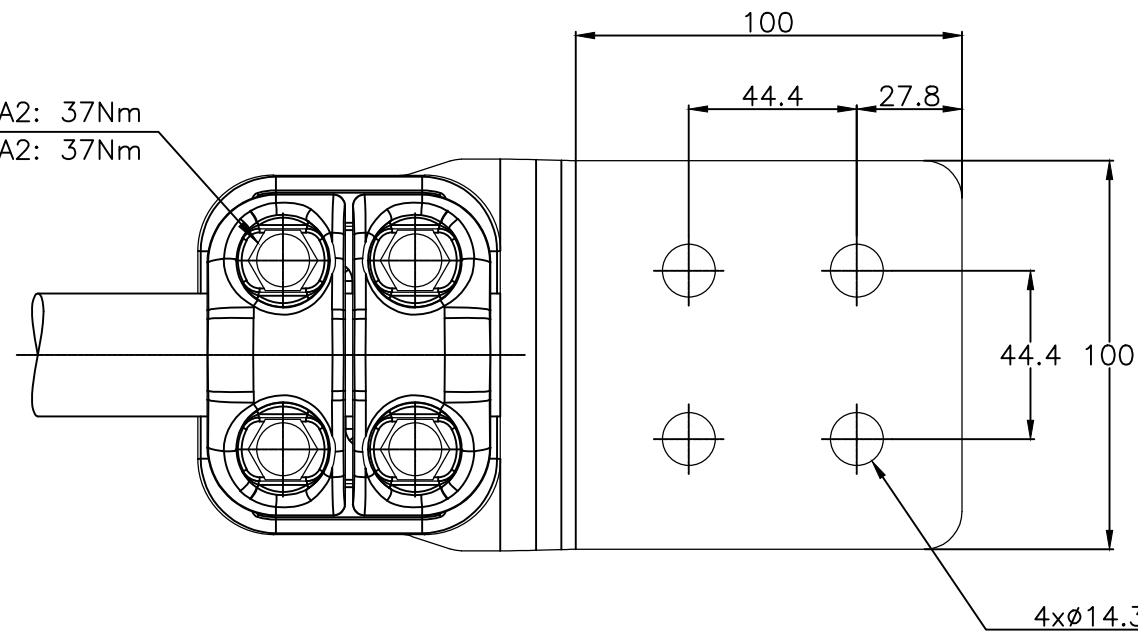
REVISIONS

P	LTR	DESCRIPTION	DATE	DWN	APVD
	A	CREATION	21-NOV-17	GL	-



No scale - sans echelle

M10 Bolts stainless steel A2: 37Nm
 Boulons M10 acier inoxydable A2: 37Nm



THIS DRAWING IS A CONTROLLED DOCUMENT.

DWN LAFORGE 21-nov-17

CHK -

APVD -

PRODUCT SPEC

108-69096-001

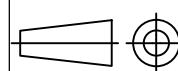
APPLICATION SPEC

-

APPROX.WEIGHT 1.4 kg

CUSTOMER DRAWING

DIMENSIONS:
mm



TOLERANCES UNLESS OTHERWISE SPECIFIED:

0 PLC	± -
1 PLC	± -
2 PLC	± -
3 PLC	± -
4 PLC	± -
ANGLES	± -
FINISH	-

MATERIAL

-



NAME STRAIGHT CONNECTOR TO FLAT PALM
 RACCORD DROIT SUR PLAGE
 5 PD 82 S285 100 C290

SIZE A3	CAGE CODE -	DRAWING NO C=2324986	RESTRICTED TO -
---------	-------------	----------------------	-----------------

SCALE 1/2	SHEET 1 OF 1	REV A
-----------	--------------	-------

ITEM:.....