

4

3

2

1

THIS DRAWING IS UNPUBLISHED.

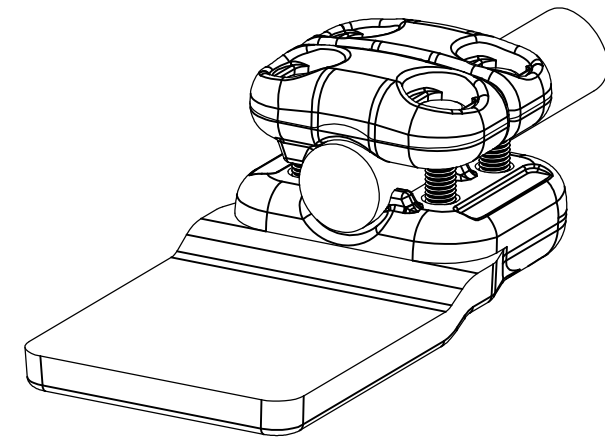
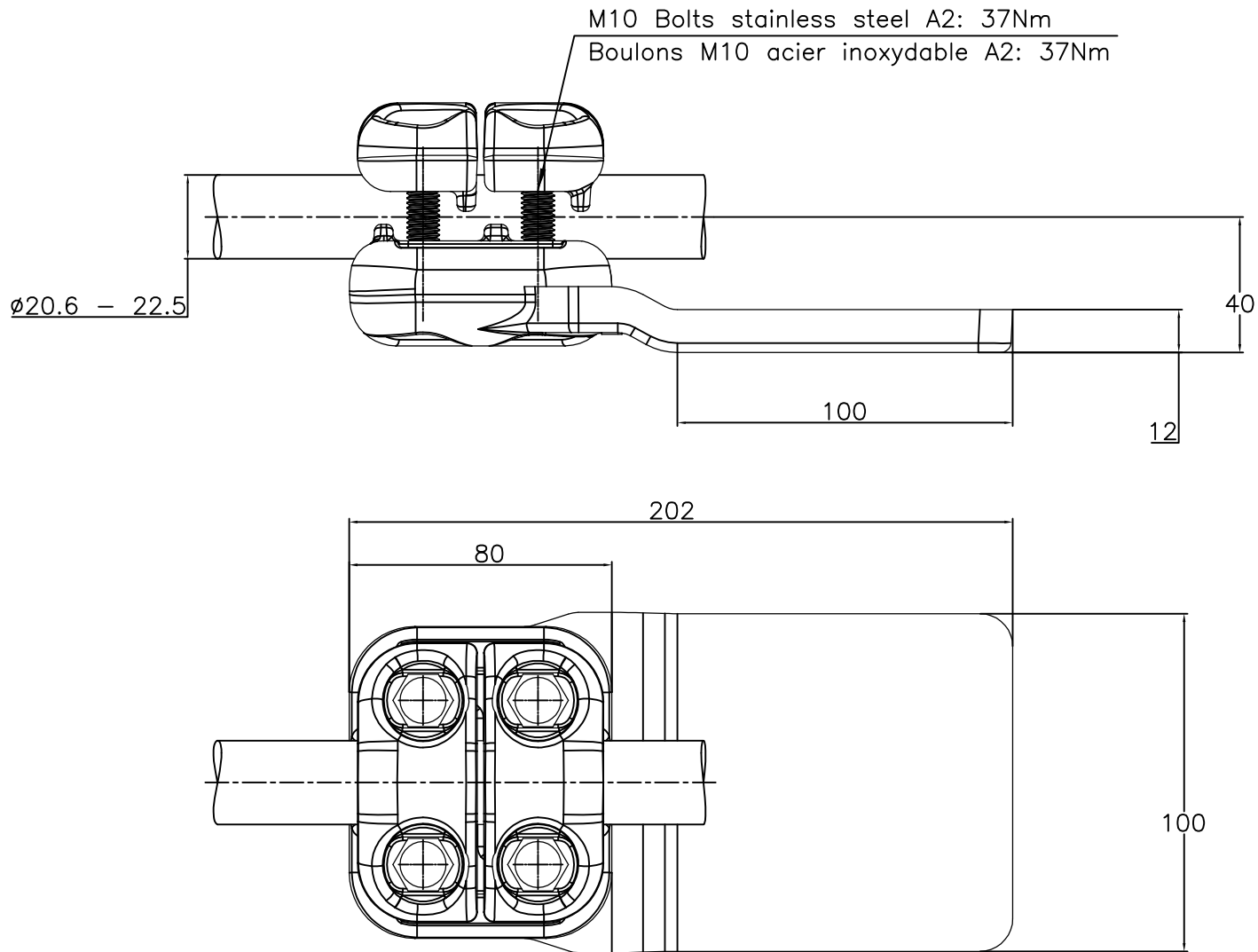
RELEASED FOR PUBLICATION

© COPYRIGHT - By -

ALL RIGHTS RESERVED.

REVISIONS

P	LTR	DESCRIPTION	DATE	DWN	APVD
	A	CREATION	11-SEP-17	GL	-



THIS DRAWING IS A CONTROLLED DOCUMENT.		DWN	LAFORGE	11-Sep-17	STE TE Connectivity		
		CHK	-	-			
DIMENSIONS: mm		TOLERANCES UNLESS OTHERWISE SPECIFIED:		NAME			
		0 PLC	± -	CONNECTOR FOR CABLE TO PAD			
		1 PLC	± -	RACCORD A PLAGE POUR CABLE			
MATERIAL		2 PLC	± -	5 PD 82 S225 100			
		3 PLC	± -	SIZE	CAGE CODE	DRAWING NO	RESTRICTED TO
FINISH		4 PLC	± -	A300779		C=2324842	-
		ANGLES	± -	APPROX.WEIGHT 1.1 kg		SCALE 1:2	SHEET 1 of 1
				CUSTOMER DRAWING			

ITEM:.....