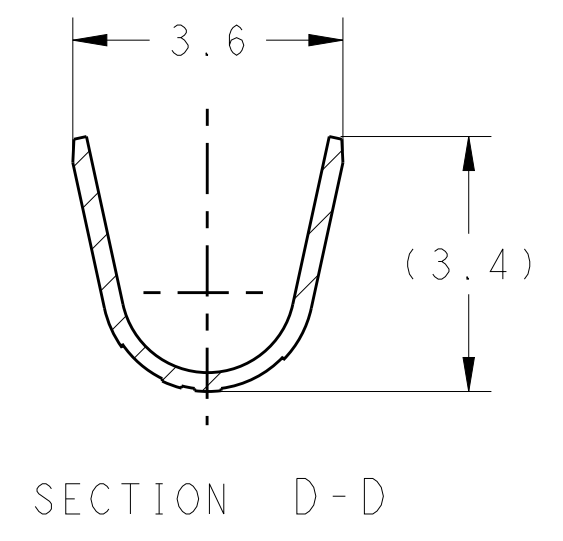
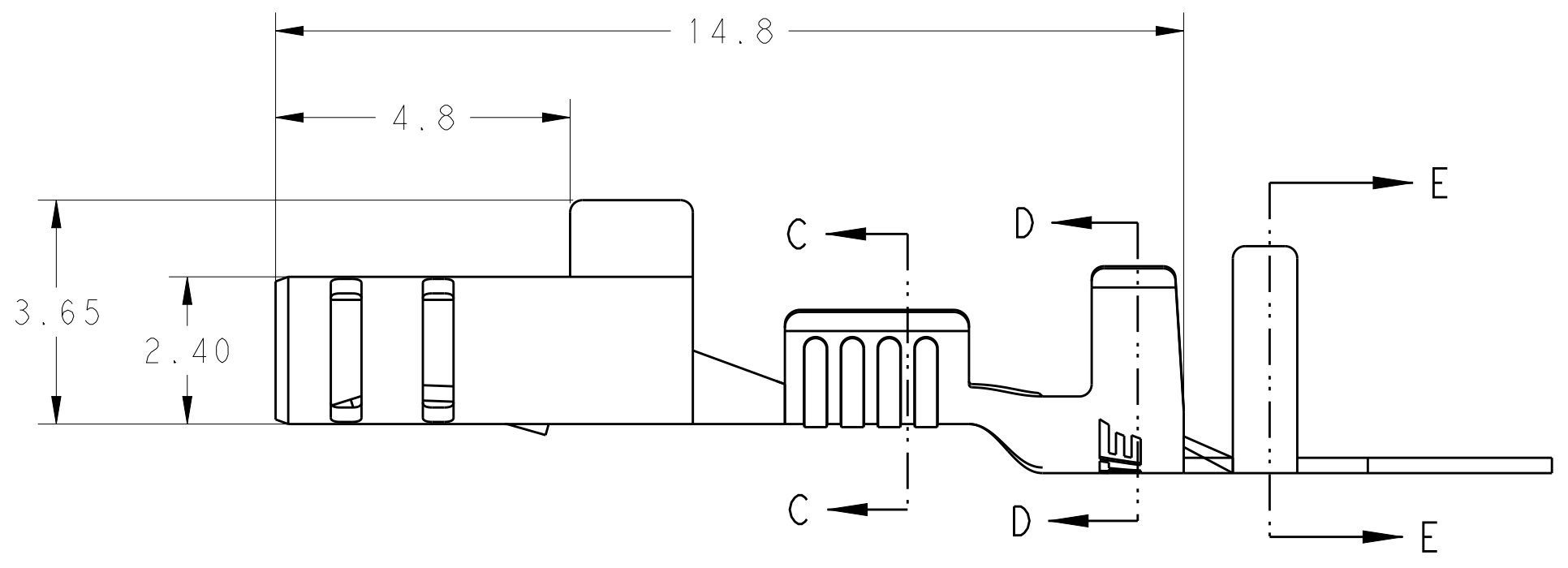
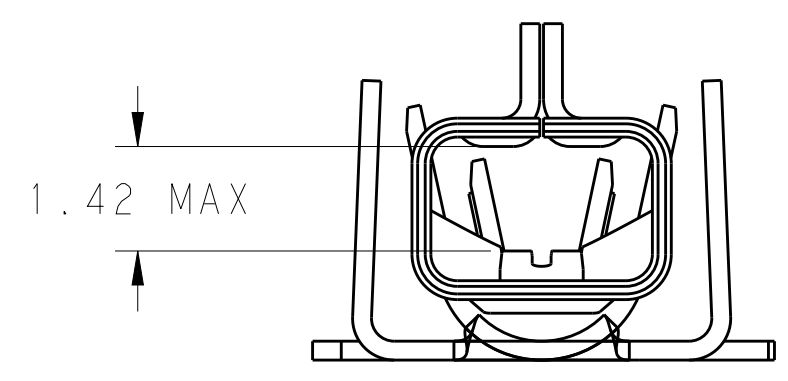
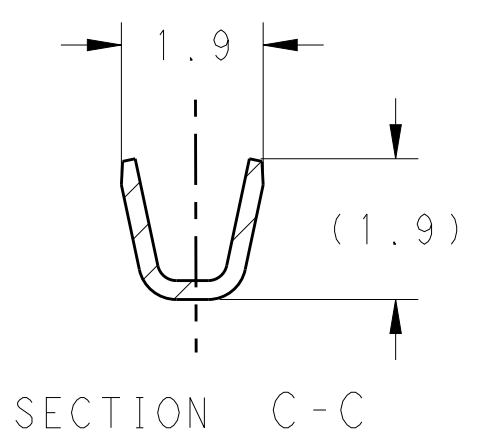
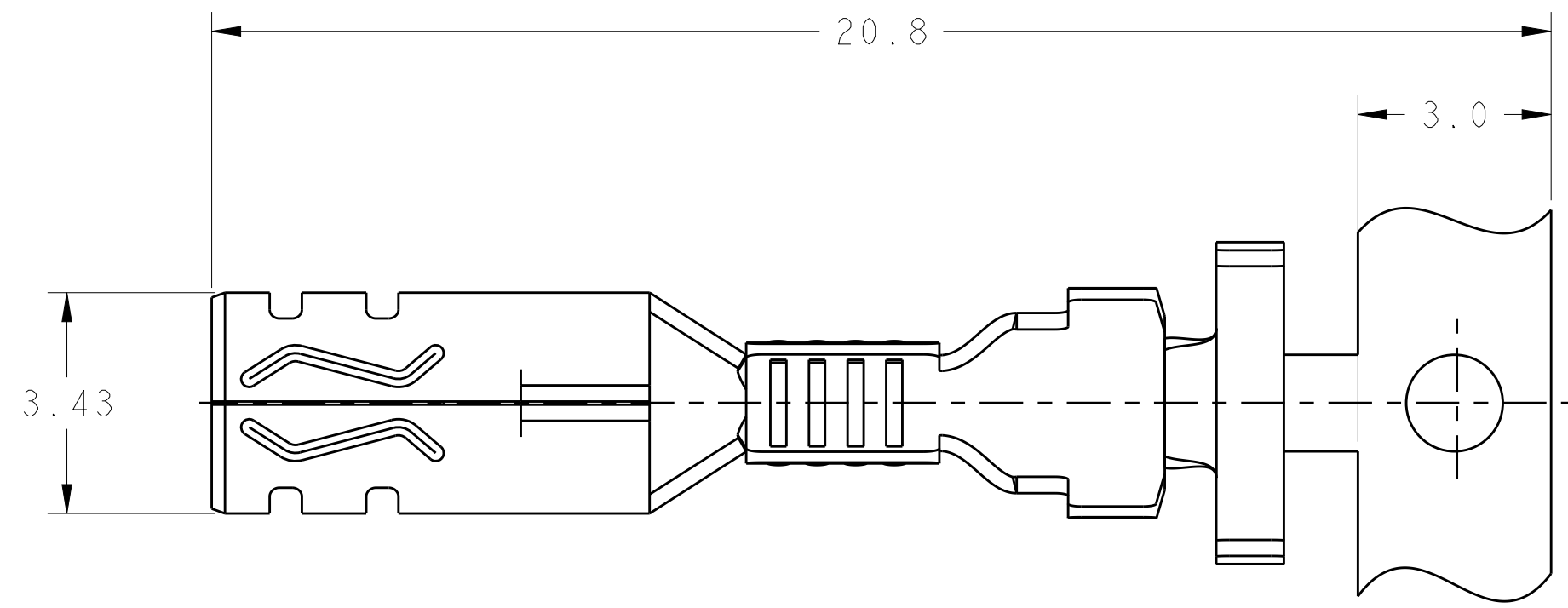
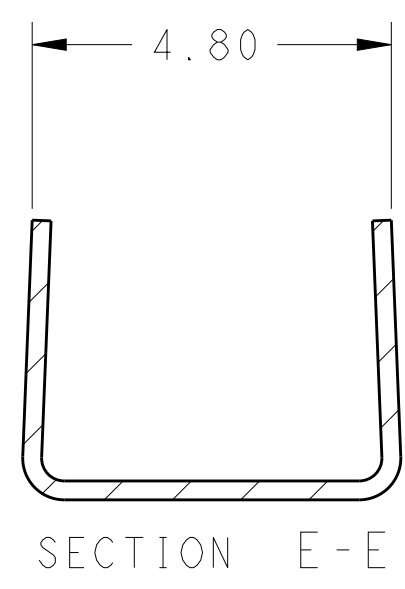
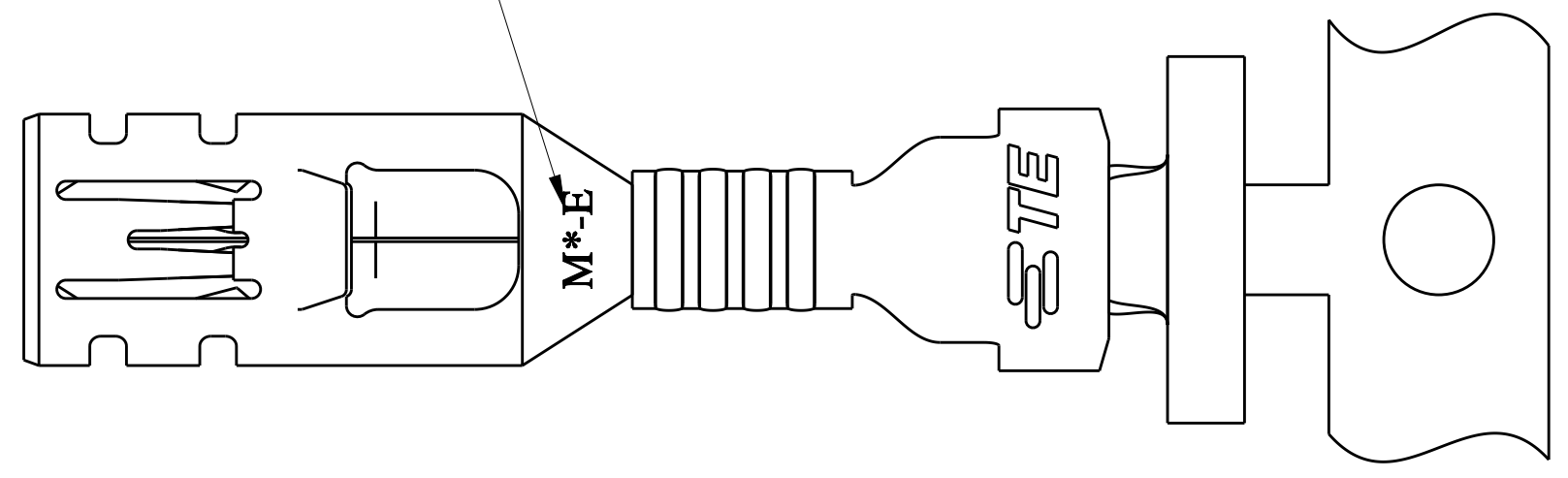


THIS DRAWING IS UNPUBLISHED. RELEASED FOR PUBLICATION 20
 © COPYRIGHT 20 BY - ALL RIGHTS RESERVED.

REVISIONS				
P	LTR	DESCRIPTION	DATE	APVD
	A	RELEASED PER ECO-19-001137	23JAN2019	BKW CY
	A1	REVISED PER ECO-19-003952	14MAR2019	BKW GJ
	A2	REVISED PER ECR-20-100297	10AUG2020	PJ VS



5 MATERIAL/SIZE MARK



- RECOMMENDED WIRE RANGE: 20-24 AWG COPPER STRANDED (375-1200 CMA)
- RECOMMENDED INSULATION DIAMETER: 1.43-2.70mm. INSULATION < 1.76mm REQUIRES AN APPLICATOR WITH AN OVERLAP INSULATION CRIMPER.
- APPLICABLE MATED PLUG HOUSING P/N:
 -1971773-/*-1971776-*/*-1971876-*/
 -2232265-/*-2232266-*/*-2232357-*

4 THIS PRODUCT HAS NOT COMPLETED VALIDATION TESTING.

5 WIRE SIZE INDICATOR E= 20-24 AWG

COPPER ALLOY	HIGH(150°C)	M0-E	2324732-2
PHOS BRONZE	STANDARD(105°C)	M1-E	2324732-1
MATERIAL	TEMP. RATING	MATERIAL MARK	PART NO

THIS DRAWING IS A CONTROLLED DOCUMENT.

DIMENSIONS: mm	TOLERANCES UNLESS OTHERWISE SPECIFIED:	DWN: R. SMITH 07SEP2017	TE Connectivity RECEPTACLE CONTACT POWER TRIPLE LOCK
0 PLC ±	1 PLC ±0.5	CHK: C. YI 07SEP2017	
1 PLC ±0.30	2 PLC ±	APVD: C. YI 07SEP2017	
3 PLC ±	4 PLC ±	PRODUCT SPEC: 108-106118	NAME: -
4 PLC ±	ANGLES ±	APPLICATION SPEC: 114-106118	SIZE: A2
MATERIAL: SEE TABLE	FINISH: PRE-TIN	WEIGHT: -	CAGE CODE: 100779
		CUSTOMER DRAWING	DRAWING NO: 2324732
			RESTRICTED TO: -
			SCALE: 6:1
			SHEET 1 OF 1
			REV A2