

THIS DRAWING IS UNPUBLISHED.

RELEASED FOR PUBLICATION

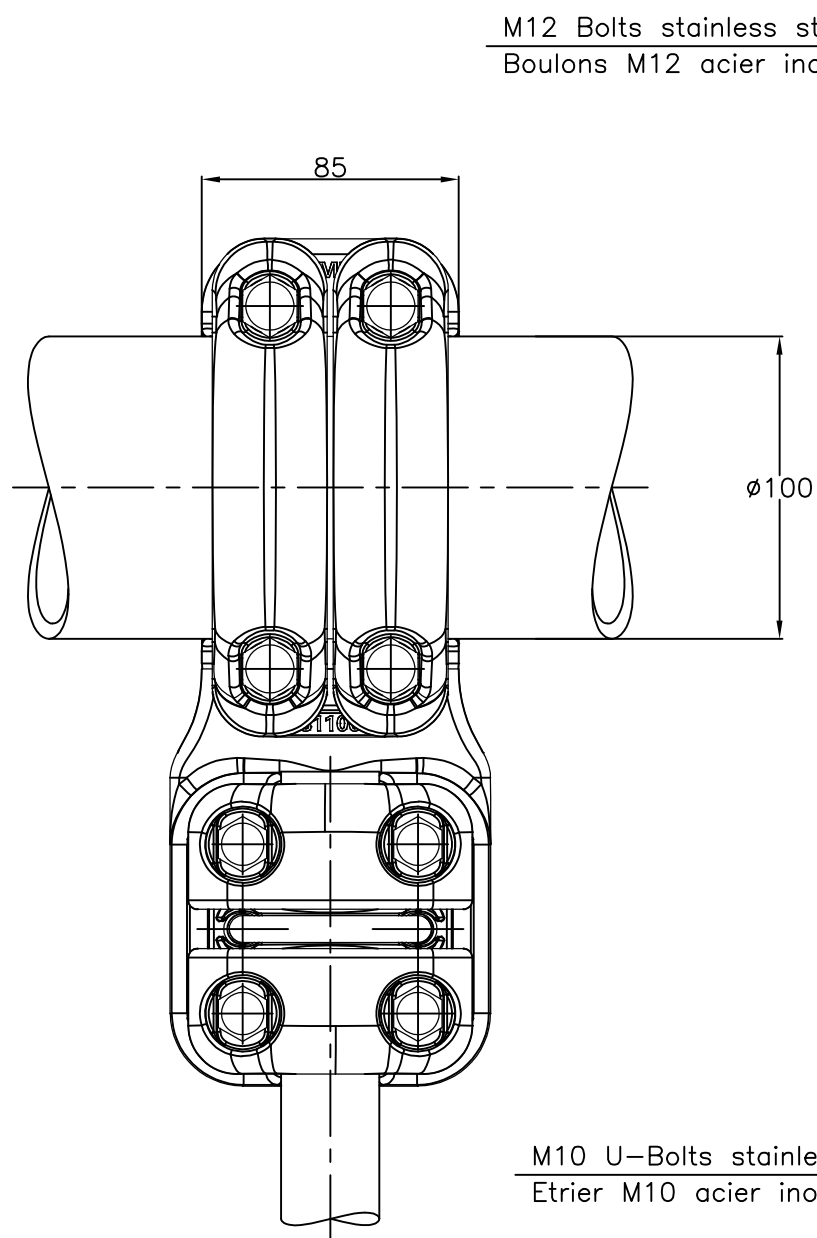
-. - .

REVISIONS

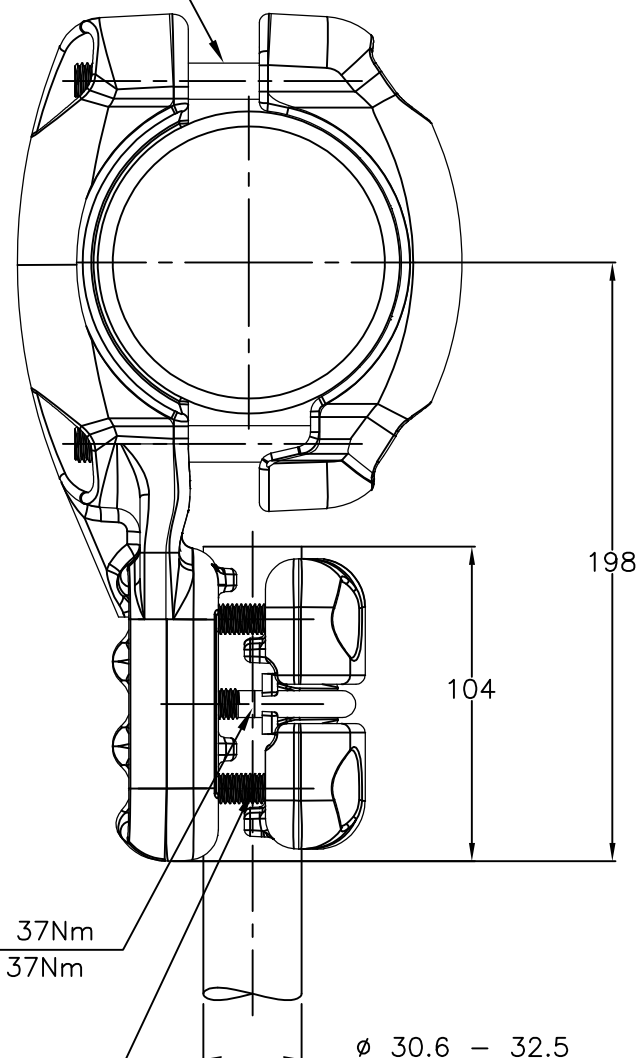
© COPYRIGHT - By -

ALL RIGHTS RESERVED.

P	LTR	DESCRIPTION	DATE	DWN	APVD
	A	CREATION	05-SEP-17	GL	-

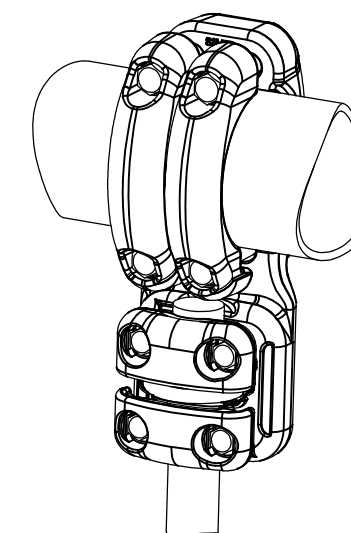


M12 Bolts stainless steel A2: 60Nm  
 Boulons M12 acier inoxydable A2: 60Nm



M10 U-Bolts stainless steel A4: 37Nm  
 Etrier M10 acier inoxydable A4: 37Nm

M10 Bolts stainless steel A2: 37Nm  
 Boulons M10 acier inoxydable A2: 37Nm



No scale  
 Sans échelle

ITEM:.....

THIS DRAWING IS A CONTROLLED DOCUMENT.		DWN	05-SEP-17		 TE Connectivity
		CHK	-		
		APVD	-		
		PRODUCT SPEC	-		
DIMENSIONS:	TOLERANCES UNLESS OTHERWISE SPECIFIED:	NAME	TEE CONNECTOR		
mm		APPLICATION SPEC	RACCORD EN TE		
	0 PLC ± -	108-69096-001	5 MT 82 T100 MR325		
	1 PLC ± -	APPROX.WEIGHT	3.35 kg	SIZE	A3
	2 PLC ± -	CUSTOMER DRAWING		CAGE CODE	00779
	3 PLC ± -			DRAWING NO	C=2324649
	4 PLC ± -			RESTRICTED TO	-
	ANGLES ± -			SCALE	2:5
MATERIAL	FINISH			SHEET	1 OF 1
-	-			REV	A