

THIS DRAWING IS UNPUBLISHED.

RELEASED FOR PUBLICATION

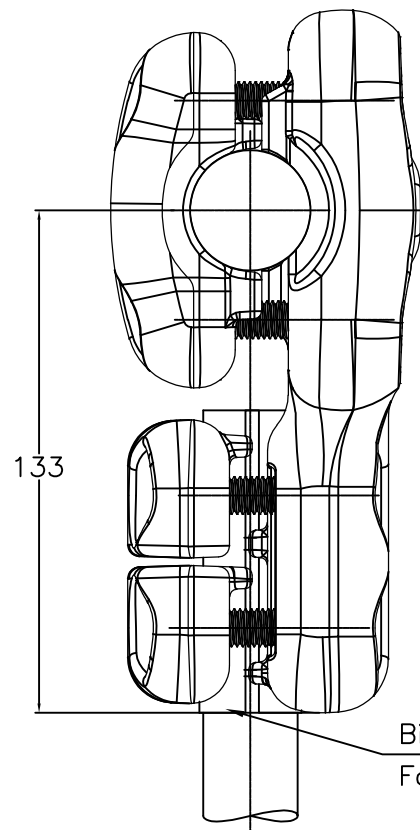
- . - .

REVISIONS

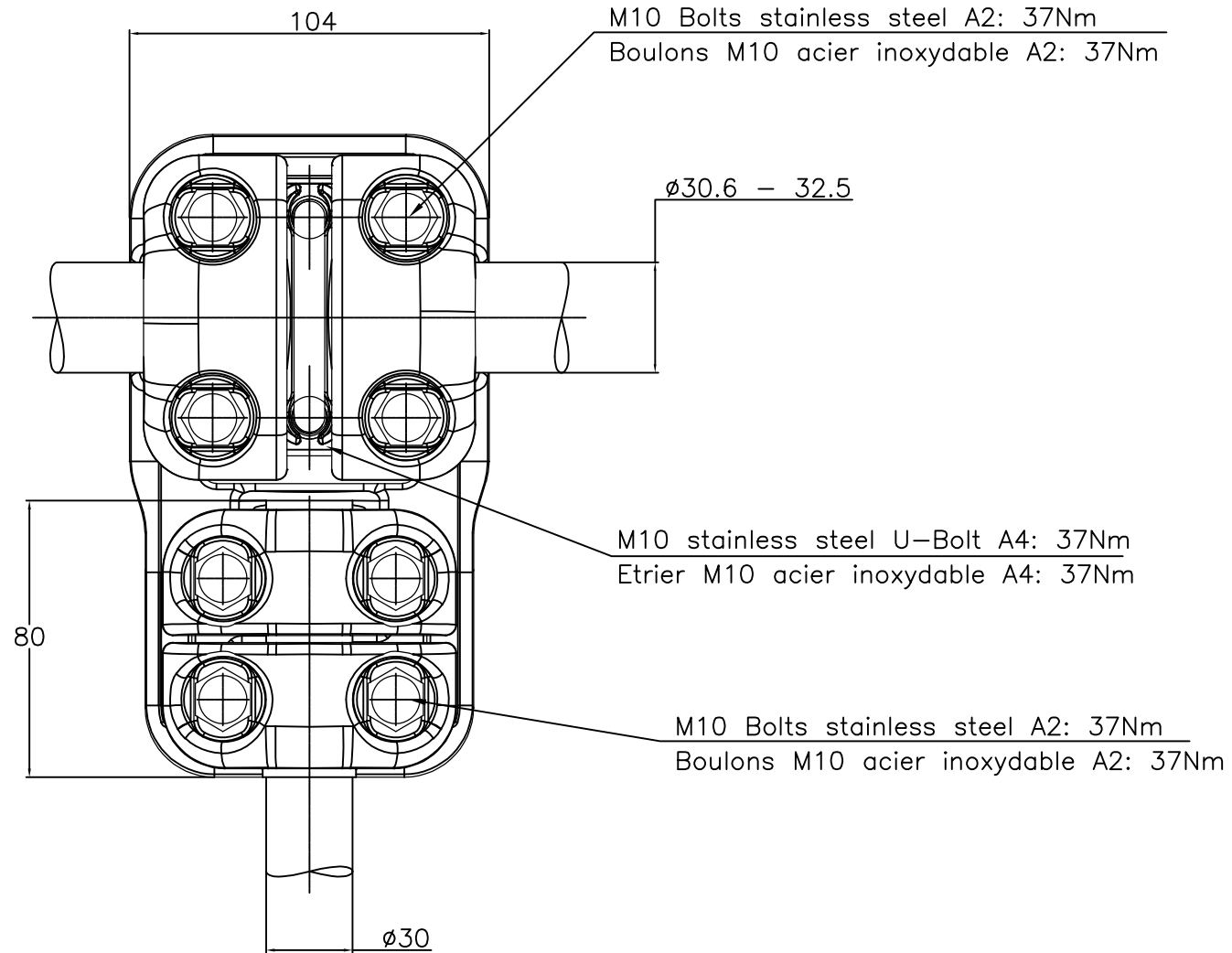
© COPYRIGHT - By -

ALL RIGHTS RESERVED.

P	LTR	DESCRIPTION	DATE	DWN	APVD
	A	CREATION	04-SEP-17	GL	-



Bimetalic Alu/Copper sleeve 32Dia x 30
 Fourrure bi-métallique alu/cuivre ø32x30



THIS DRAWING IS A CONTROLLED DOCUMENT.		DWN	09-SEP-17		STE TE Connectivity
		CHK	-		
DIMENSIONS: mm		TOLERANCES UNLESS OTHERWISE SPECIFIED:		APVD	NAME TEE CONNECTOR RACCORD EN TE 5 CT 82 MR325 SK305
		0 PLC	± -	APVD	
MATERIAL		1 PLC	± -	APVD	108-69096-001
		2 PLC	± -	APVD	APPLICATION SPEC
		3 PLC	± -	APVD	
		4 PLC	± -	APVD	SIZE
		ANGLES	± -	APVD	CAGE CODE
		FINISH	-	APVD	DRAWING NO
				APVD	RESTRICTED TO
				APVD	APPROX.WEIGHT 1.98 kg
ITEM:.....		CUSTOMER DRAWING		APVD	A300779
				APVD	C=2324645
				APVD	SCALE 1:2
				APVD	SHEET 1 OF 1
				APVD	REV A