

THIS DRAWING IS UNPUBLISHED.

RELEASED FOR PUBLICATION

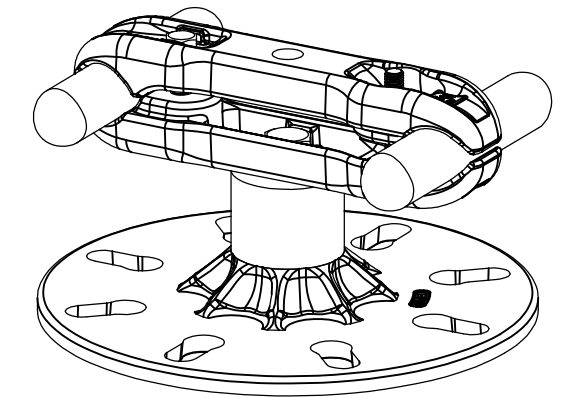
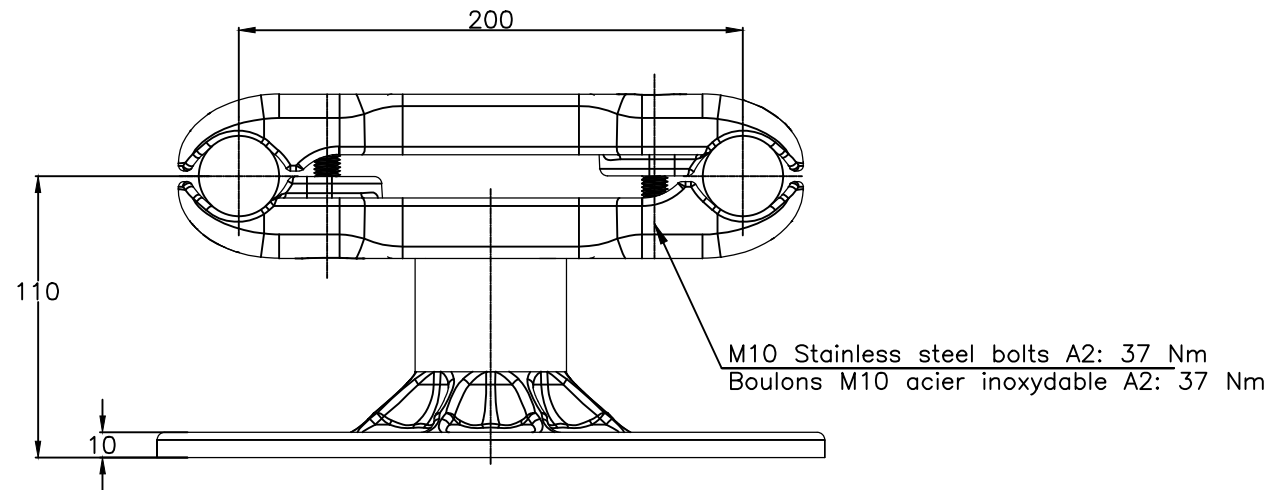
---

ALL RIGHTS RESERVED.

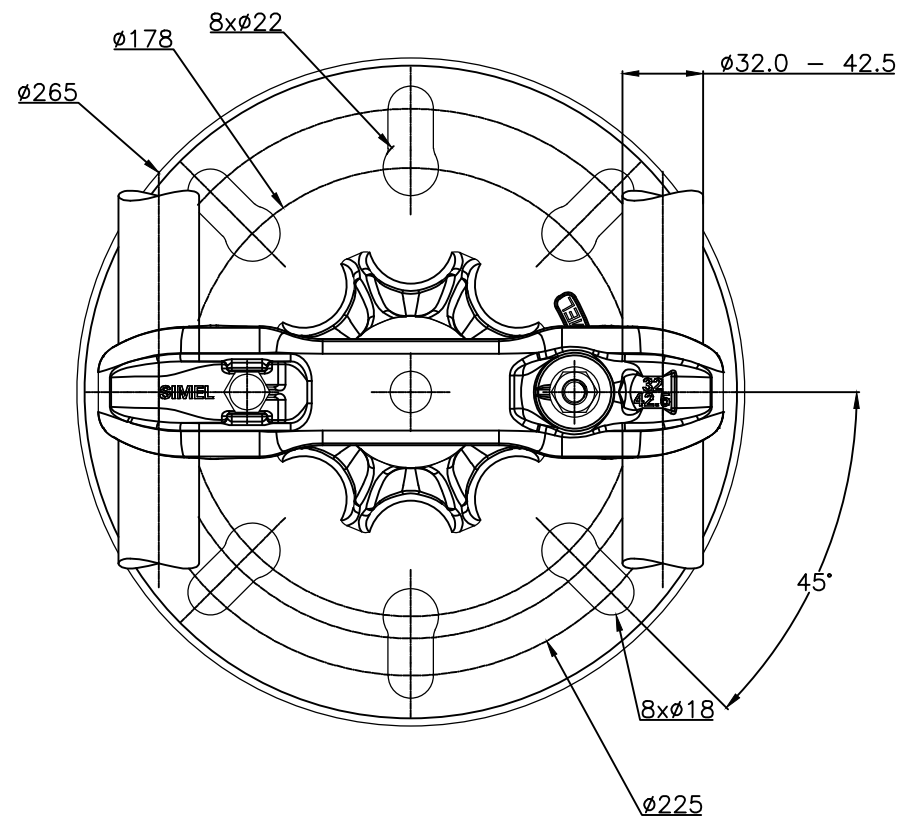
© COPYRIGHT - By -

REVISIONS

| P | LTR | DESCRIPTION     | DATE      | DWN | APVD |
|---|-----|-----------------|-----------|-----|------|
|   | B   | UPDATED DRAWING | 19-DEC-17 | GL  | -    |



No scale  
Sans échelle



ITEM:.....

THIS DRAWING IS A CONTROLLED DOCUMENT.

DWN LAFORGE 31-AUG-17

CHK -

APVD -

PRODUCT SPEC

108-69096-001

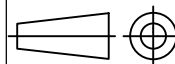
APPLICATION SPEC

-

APPROX.WEIGHT 2.8 kg

CUSTOMER DRAWING

DIMENSIONS:  
mm



TOLERANCES UNLESS OTHERWISE SPECIFIED:

|        |     |
|--------|-----|
| 0 PLC  | ± - |
| 1 PLC  | ± - |
| 2 PLC  | ± - |
| 3 PLC  | ± - |
| 4 PLC  | ± - |
| ANGLES | ± - |
| FINISH | -   |

MATERIAL -

FINISH -



NAME TWIN BUNDLE SPACER ON BPI  
ENTRETOISE POUR FAISCEAU DOUBLE SUR ISO

5 CAE 82 P7-P225 M320/M425 E200

SIZE A3 CAGE CODE 00779 DRAWING NO. C=2324533 RESTRICTED TO -

SCALE 1:3 SHEET 1 OF 1 REV B