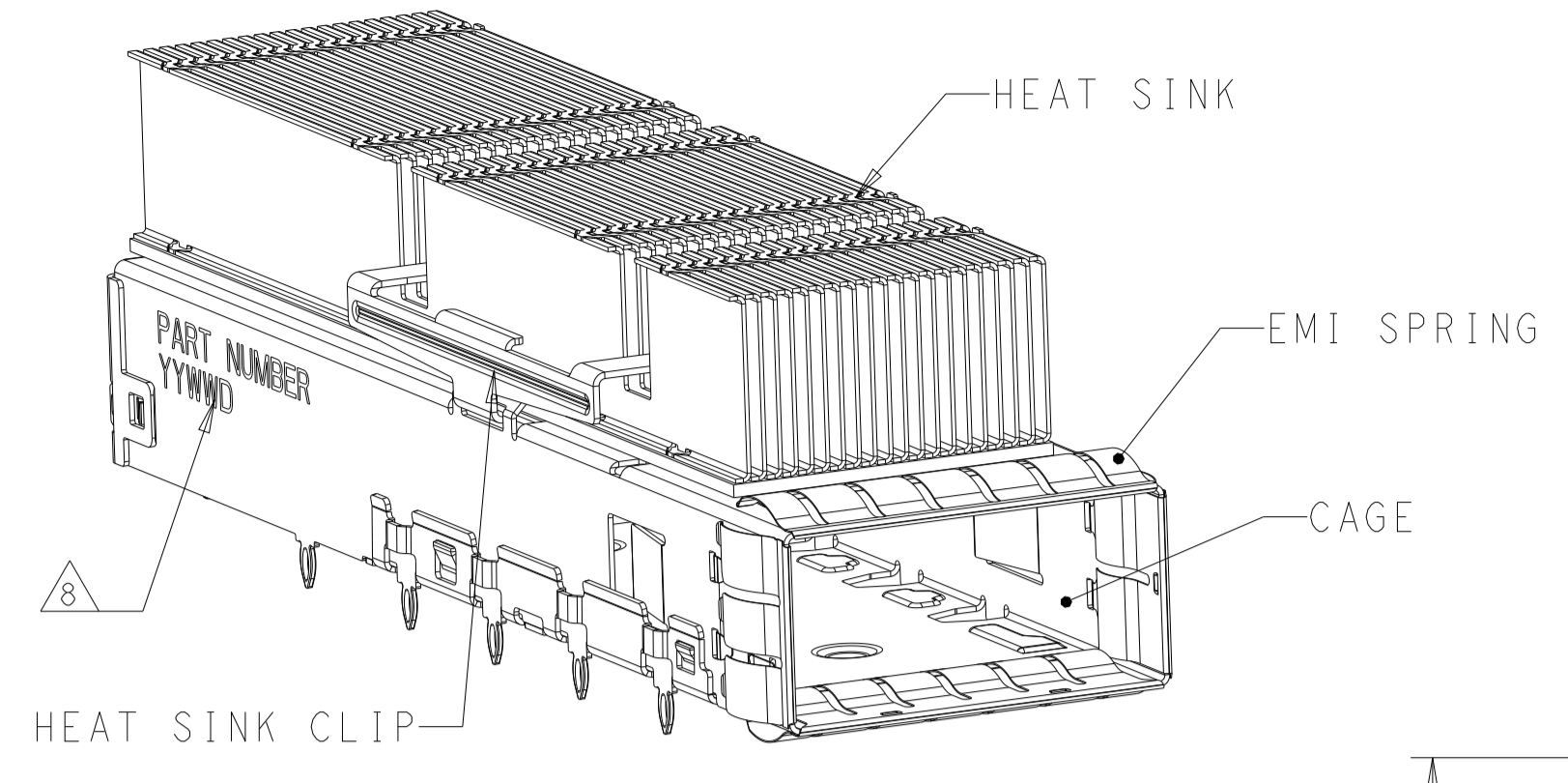
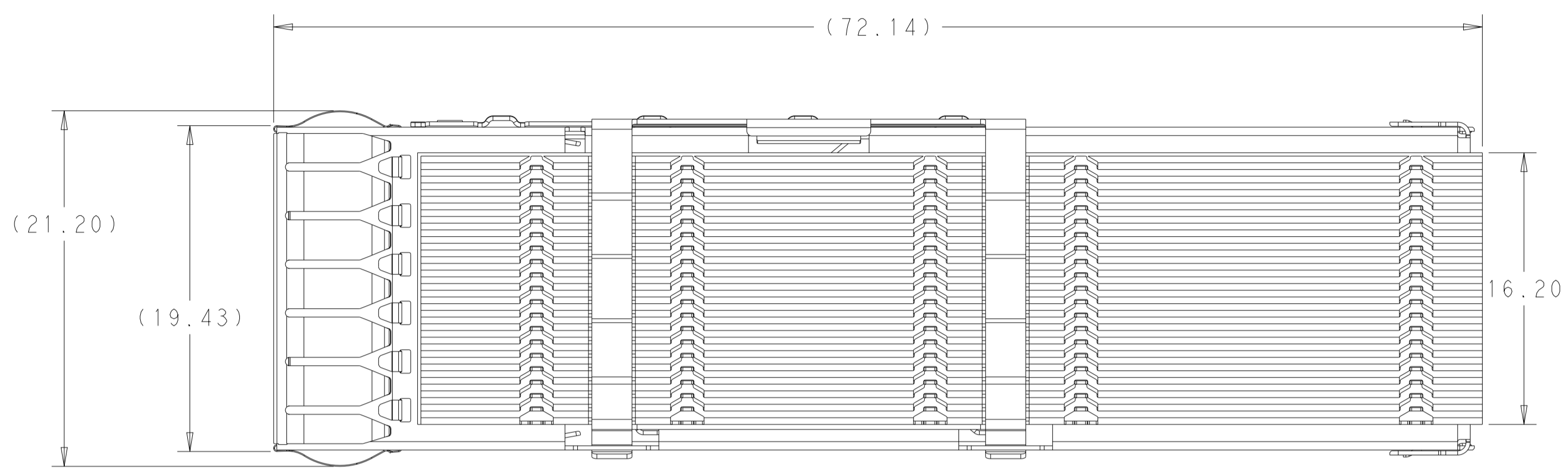


LOC		DIST		REVISIONS			
P	LTN	DESCRIPTION	DATE	DMN	APVD		
A		INITIAL RELEASE	10SEP2019	AJ	SH		
A3		REVISED PER ECN-21-121169	15SEP2021	SH	SZ		

2324193-1 AS SHOWN

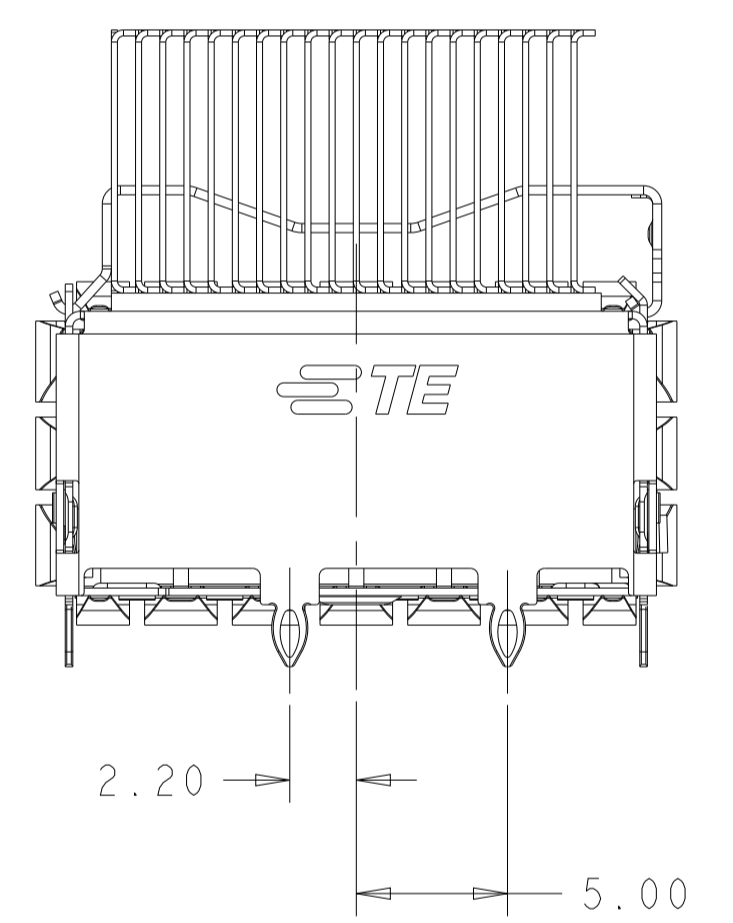
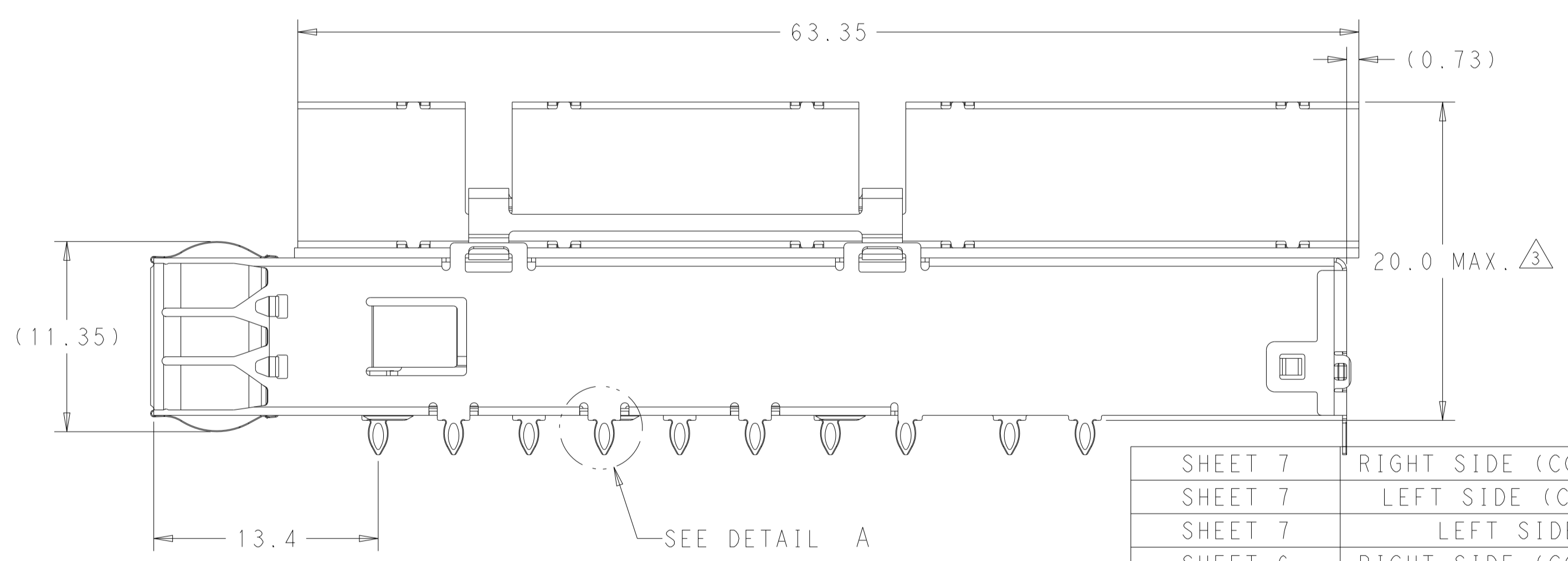
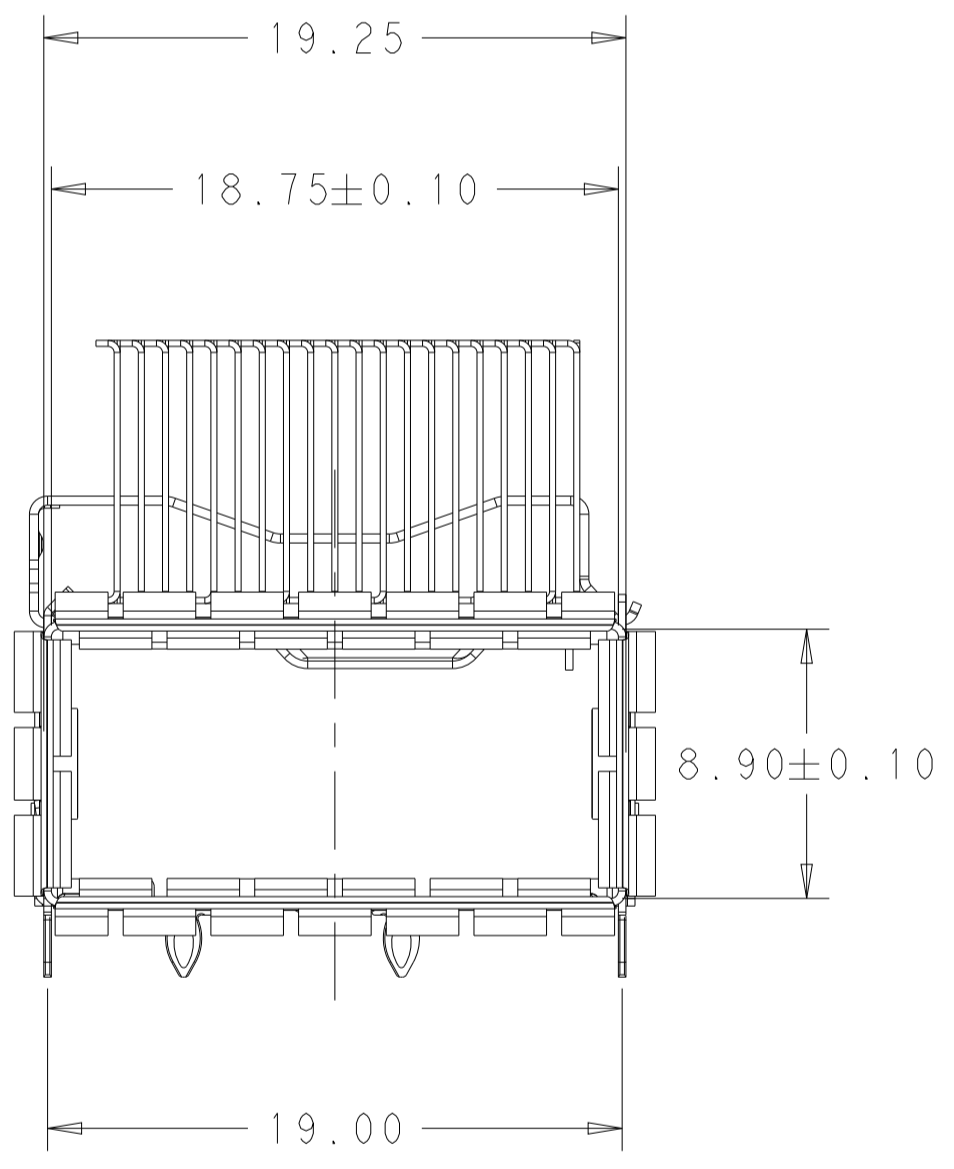


2324193-1 AS SHOWN  
SCALE 3:1

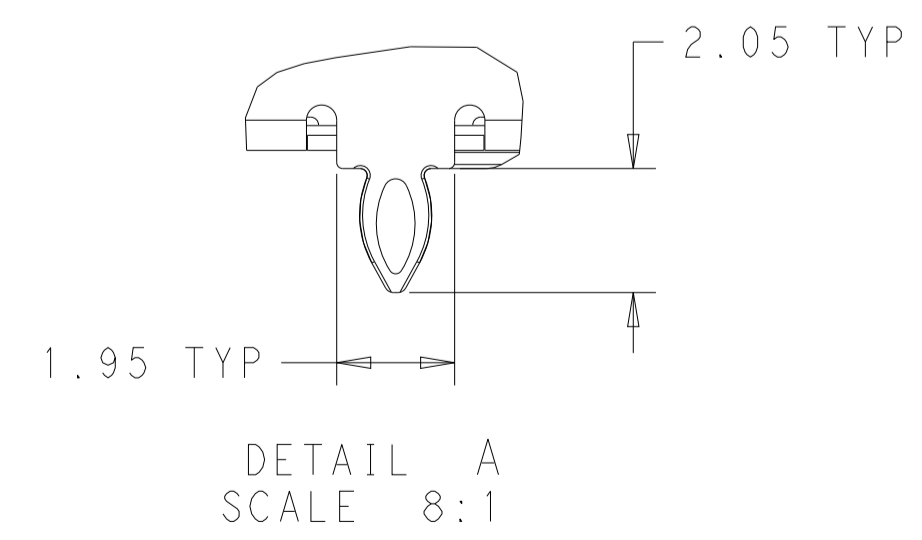


1. MATERIAL:  
 CAGE MATERIAL : 0.25 THICK STAINLESS STEEL.  
 SPRING MATERIAL: COPPER ALLOY  
 CLIP MATERIAL: STAINLESS STEEL  
 HEAT SINK: ALUMINUM  
 SEAL SHEET: 0.25 THICK STAINLESS STEEL  
 LIGHT PIPE: POLYCARBONATE

2. FINISH:  
 SPRING: NICKEL PLATING  
 HEAT SINK: NICKEL PLATING
3. DIMENSION APPLIES WITH MODULE INSTALLED IN THE CAGE TO TOP OF HEAT SINK.
4. REFERENCE APPLICATION SPEC 114-32023 FOR RECOMMENDED DRILL HOLE DIAMETER AND PLATING THICKNESS.
5. DATUM AND BASIC DIMENSIONS ESTABLISHED BY CUSTOMERS.
6. MINIMUM PC BOARD THICKNESS : SINGLES SIDED: 1.57 MIN  
 DOUBLE SIDED: 3.00 MIN
7. DATUM **-A-** IS TOP SURFACE OF THE HOST BOARD.
8. DATE CODE (YYWD) MARKED APPROXIMATELY AS SHOWN
9. MATES WITH QSFP DD MSA COMPATIBLE TRANSCEIVER.



2324193-1 AS SHOWN  
SCALE 4:1



SHEET 7	RIGHT SIDE (COATED)	WITH	CUSTOMIZED HEIGHT	2	1-2324193-8
SHEET 7	LEFT SIDE (COATED)	WITH	CUSTOMIZED HEIGHT	2	1-2324193-7
SHEET 7	LEFT SIDE	WITHOUT	CUSTOMIZED HEIGHT	2	1-2324193-3
SHEET 6	RIGHT SIDE (COATED)	WITH	CUSTOMIZED HEIGHT	2	1-2324193-2
SHEET 6	LEFT SIDE (COATED)	WITH	CUSTOMIZED HEIGHT	2	1-2324193-1
SHEET 5	RIGHT SIDE (COATED)	WITHOUT	CUSTOMIZED HEIGHT	2	1-2324193-0
SHEET 5	LEFT SIDE (COATED)	WITHOUT	CUSTOMIZED HEIGHT	2	2324193-9
SHEET 5	RIGHT SIDE (COATED)	WITH	CUSTOMIZED HEIGHT	2	2324193-8
SHEET 5	LEFT SIDE (COATED)	WITH	CUSTOMIZED HEIGHT	2	2324193-7
SHEET 4	WITHOUT	WITH	CUSTOMIZED HEIGHT	2	2324193-6
SHEET 4	WITHOUT	WITH	CUSTOMIZED HEIGHT	2	2324193-5
SHEET 3	RIGHT SIDE	WITH	CUSTOMIZED HEIGHT	2	2324193-4
SHEET 3	LEFT SIDE	WITH	CUSTOMIZED HEIGHT	2	2324193-3
SHEET 2	WITHOUT	WITH	CUSTOMIZED HEIGHT	2	2324193-2
SHEET 1	WITHOUT	WITH OUT	NORMAL TYPE	2	2324193-1
REMARK	LIGHT PIPE	SEAL SHEET	HEAT SINK	# REAR PINS	PART NUMBER

THIS DRAWING IS A CONTROLLED DOCUMENT. DIMENSIONS: mm. TOLERANCES UNLESS OTHERWISE SPECIFIED: 0 PLC ±0.25, 1 PLC ±0.25, 2 PLC ±0.20, 3 PLC ±0.10, 4 PLC ±. ANGLES FINISH ±.

OWN: ARTHUR JIN 24AUG2017  
 CHK: SEAN HAN 24AUG2017  
 APVD: SEAN HAN 24AUG2017

NAME: CAGE ASSEMBLY, QSFP-DD STANDARD WITH EMI SPRING FINGER

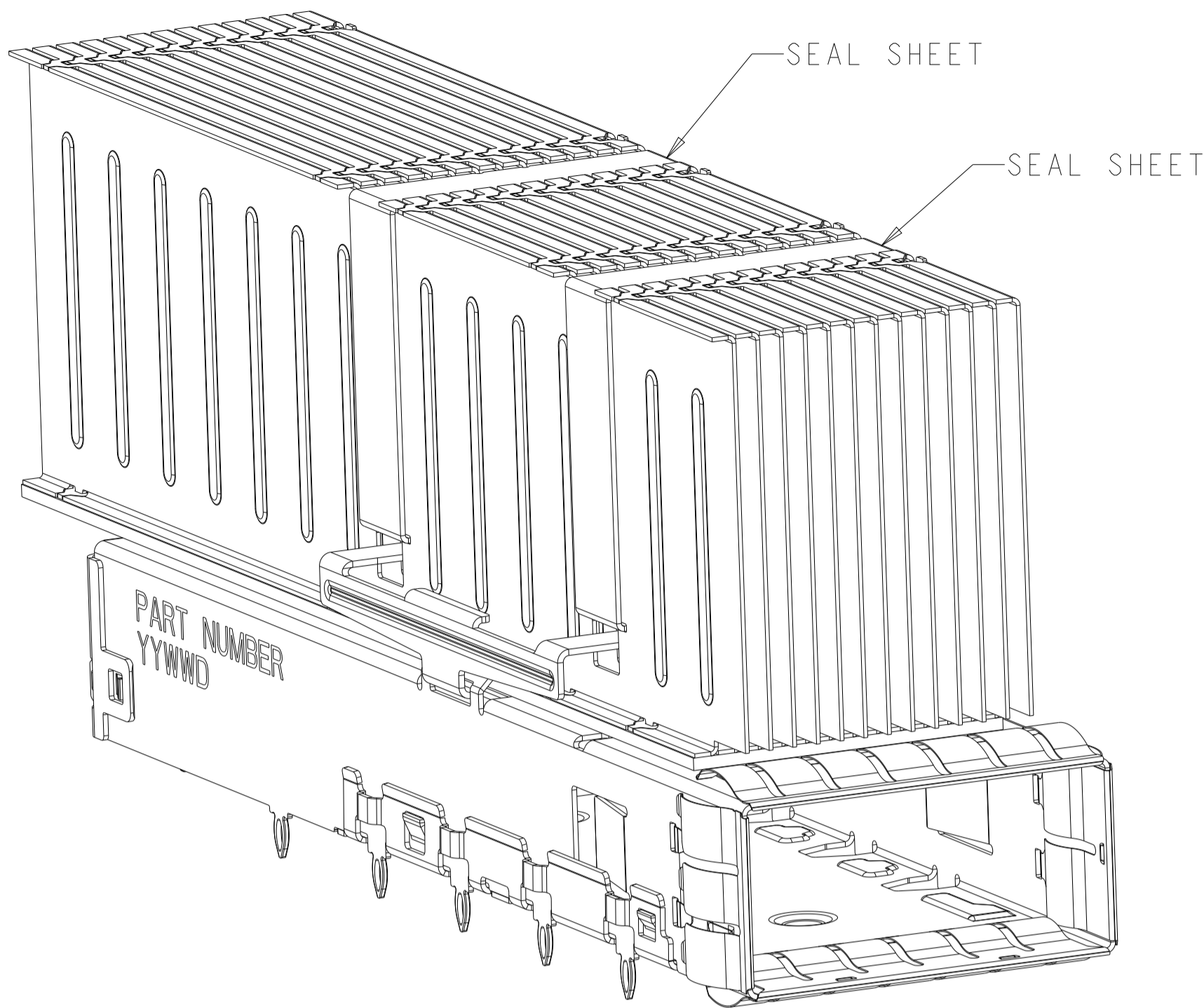
SIZE: A1 CAGE CODE: - DRAWING NO: C=2324193

RESTRICTED TO: -

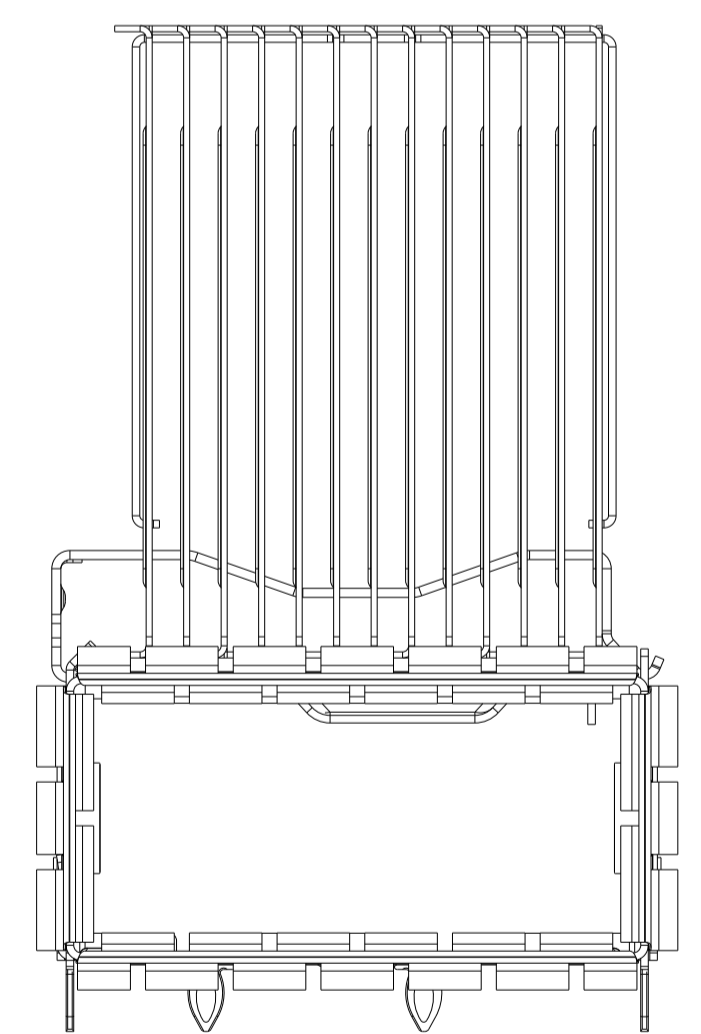
CUSTOMER DRAWING SCALE: 2:1 SHEET 1 OF 12 REV: A3

LOC		DIST		REVISIONS			
P	LTN	DESCRIPTION	DATE	DMN	APVD		
-	-	SEE SHEET 1	-	-	-		

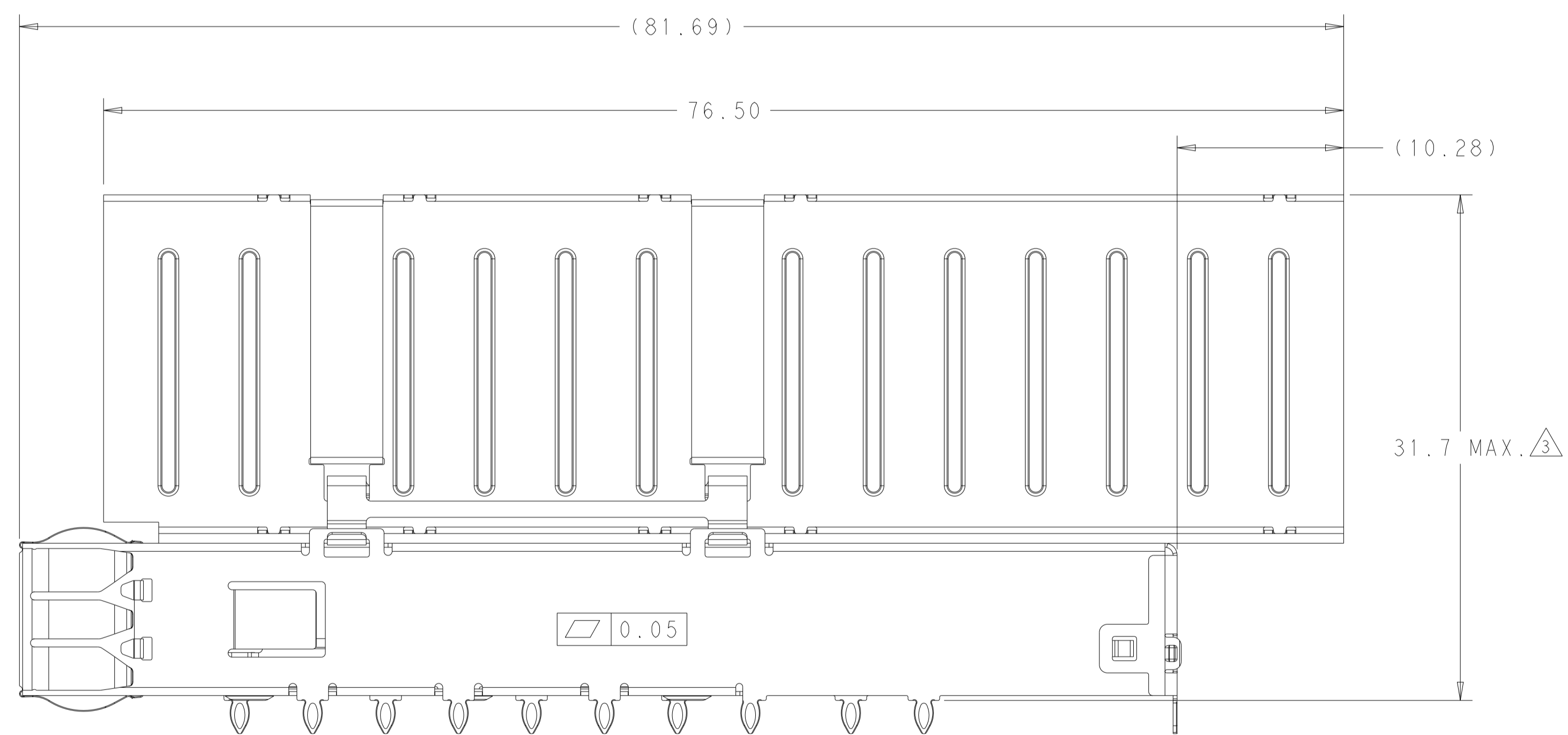
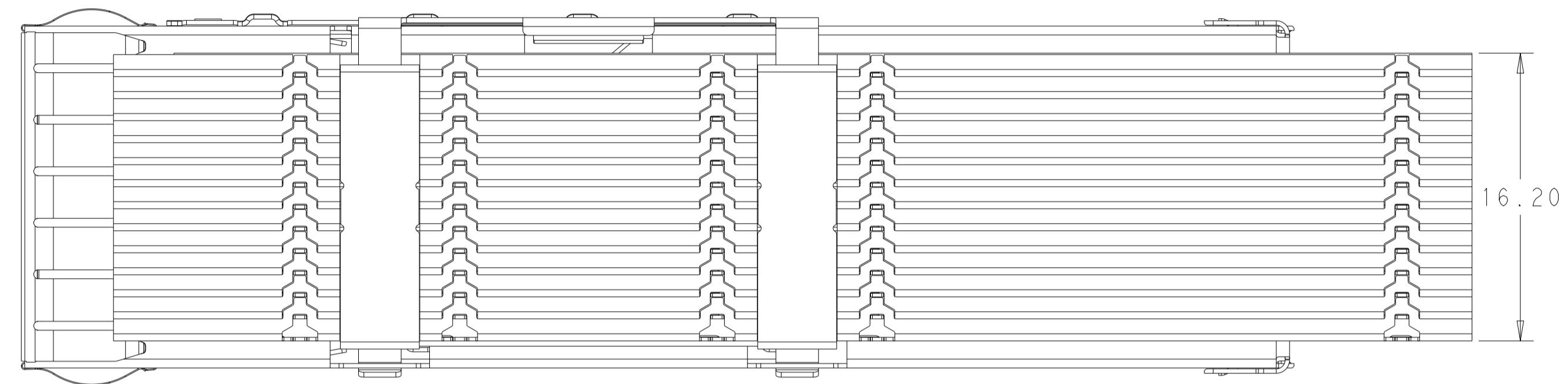
2324193-2 AS SHOWN



2324193-2 AS SHOWN  
SCALE 4:1



SCALE 4:1

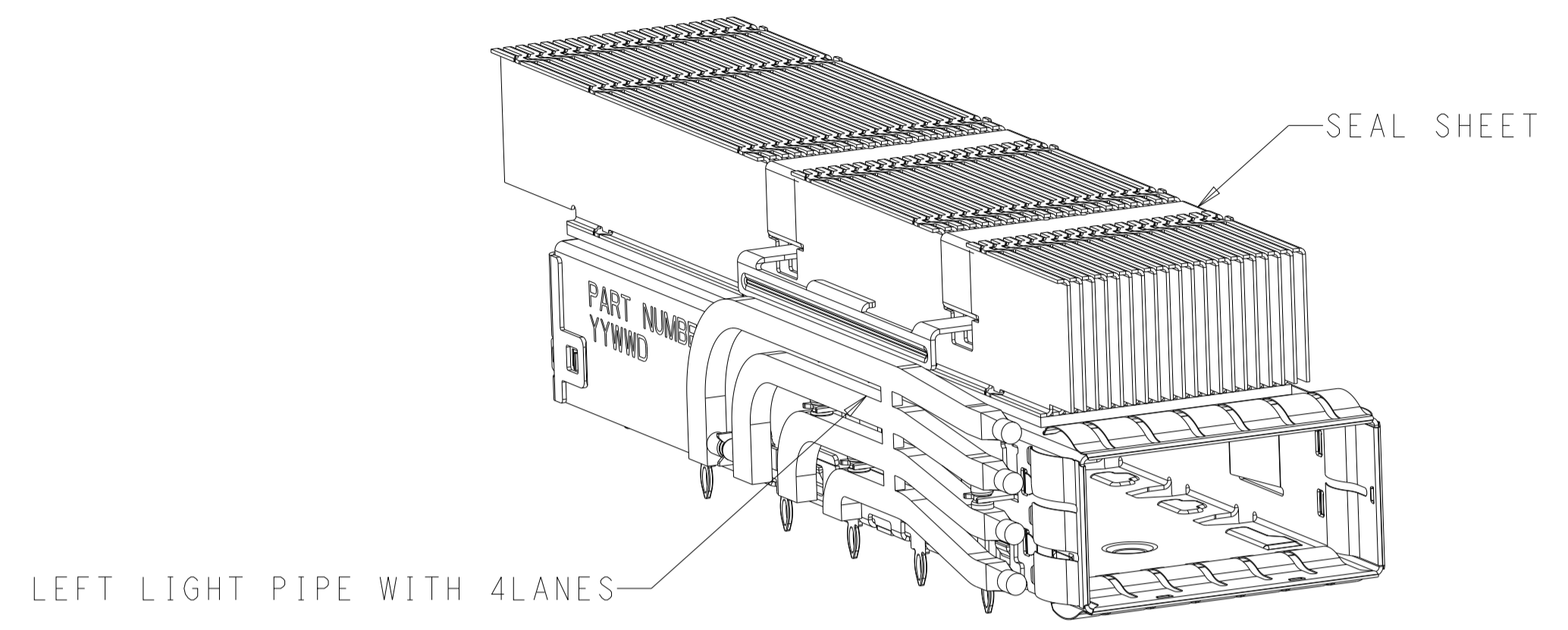


2324193-2 AS SHOWN  
SCALE 4:1

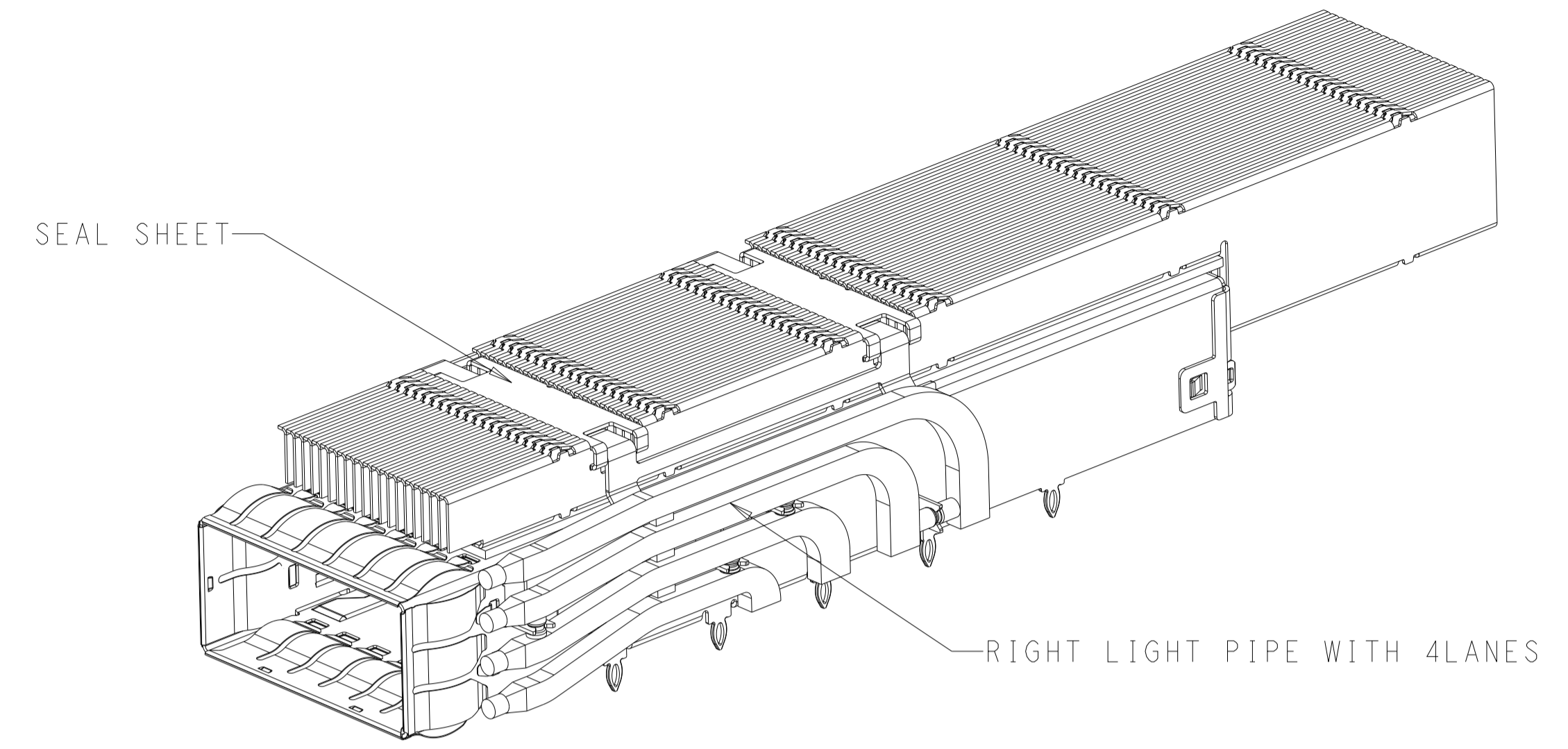
THIS DRAWING IS A CONTROLLED DOCUMENT.		DMN: ARTHUR JLN 24AUG2017	
DIMENSIONS: mm		CHK: SEAN HAN 24AUG2017	
TOLERANCES UNLESS OTHERWISE SPECIFIED:		APVD: SEAN HAN 24AUG2017	NAME: CAGE ASSEMBLY, QSPF-DD STANDARD WITH EMI SPRING FINGER
0 PLC ±0.25 1 PLC ±0.25 2 PLC ±0.20 3 PLC ±0.10 4 PLC ± ANGLES ± FINISH ±		APPLICATION SPEC	RESTRICTED TO
MATERIAL		WEIGHT	SIZE: A1
CUSTOMER DRAWING		SCALE: 2:1	SHEET 2 OF 12 REV A3

LOC		DIST		REVISIONS			
P	LTN	DESCRIPTION	DATE	DMN	APVD		
-	-	SEE SHEET 1	-	-	-		

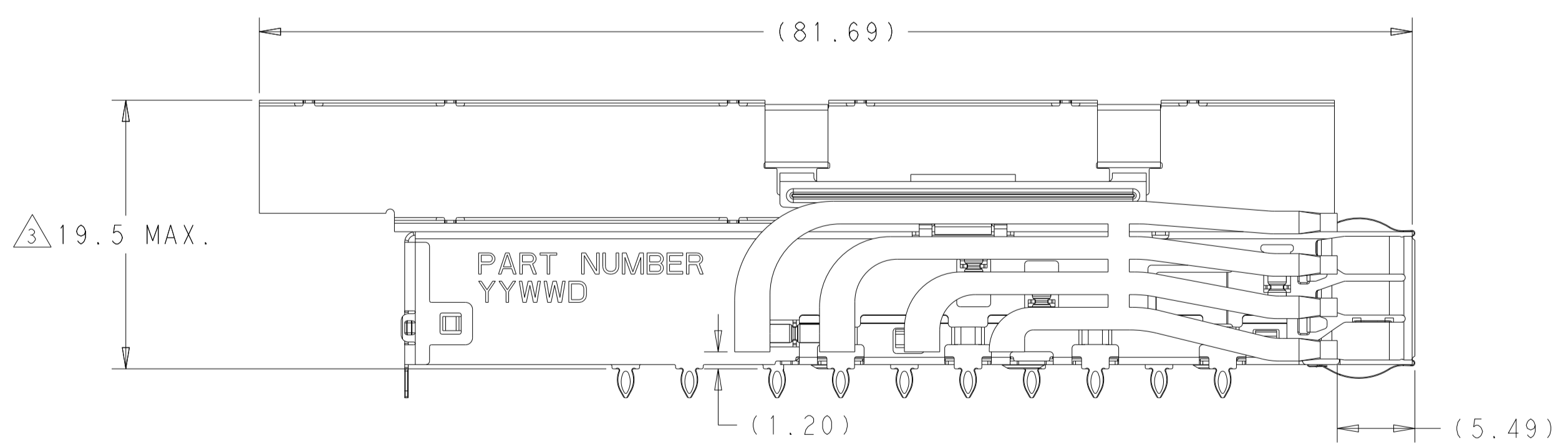
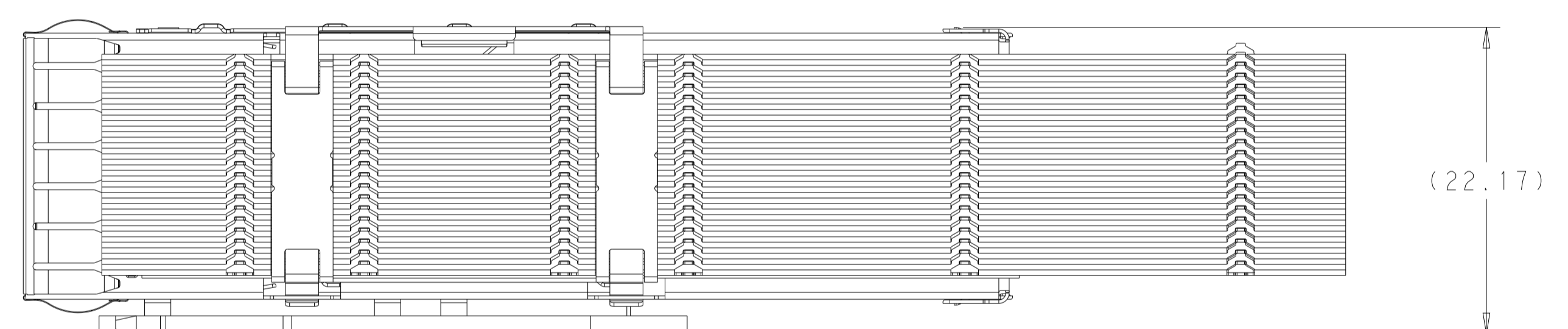
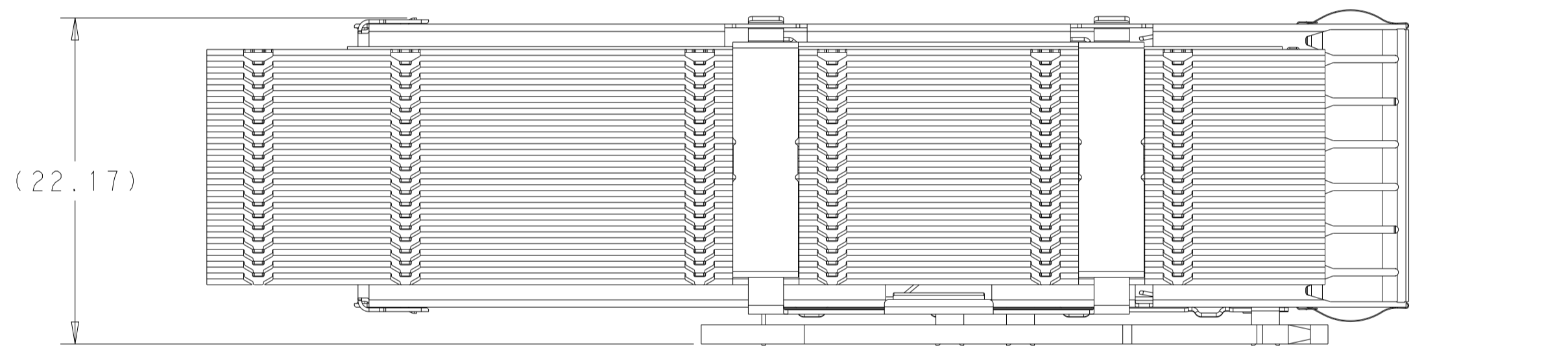
2324193-3/2324193-4 MATCH USE FOR BELLY TO BELLY APPLICATION  
 UNSPECIFIED DIMENSION SAME TO 2324193-2



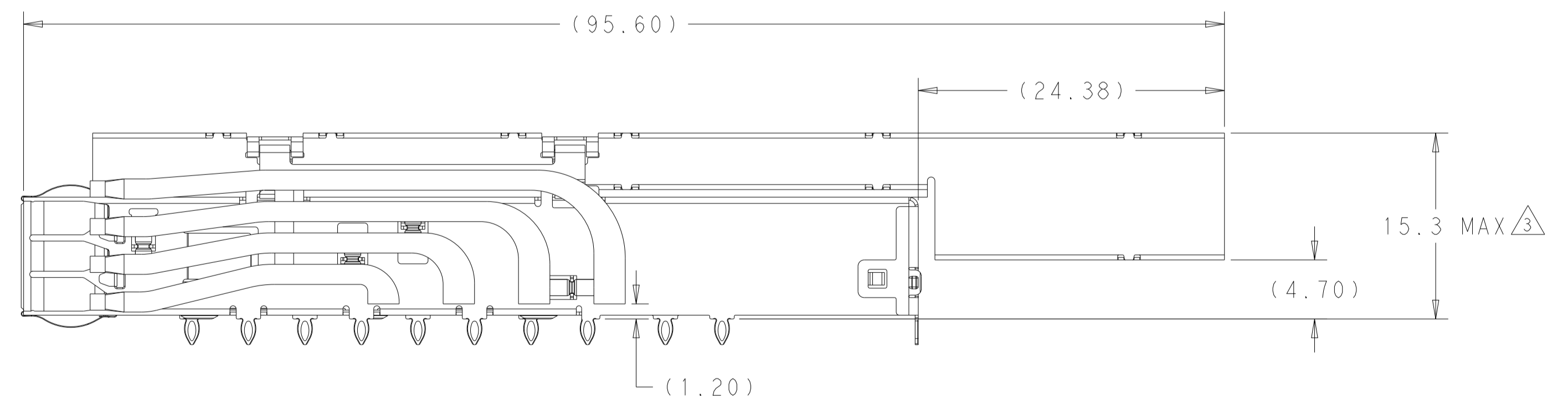
2324193-3 WITH LEFT LP AND HIGH HS  
 SCALE 3:1



2324193-4 WITH RIGHT LP AND LOW HS  
 SCALE 3:1



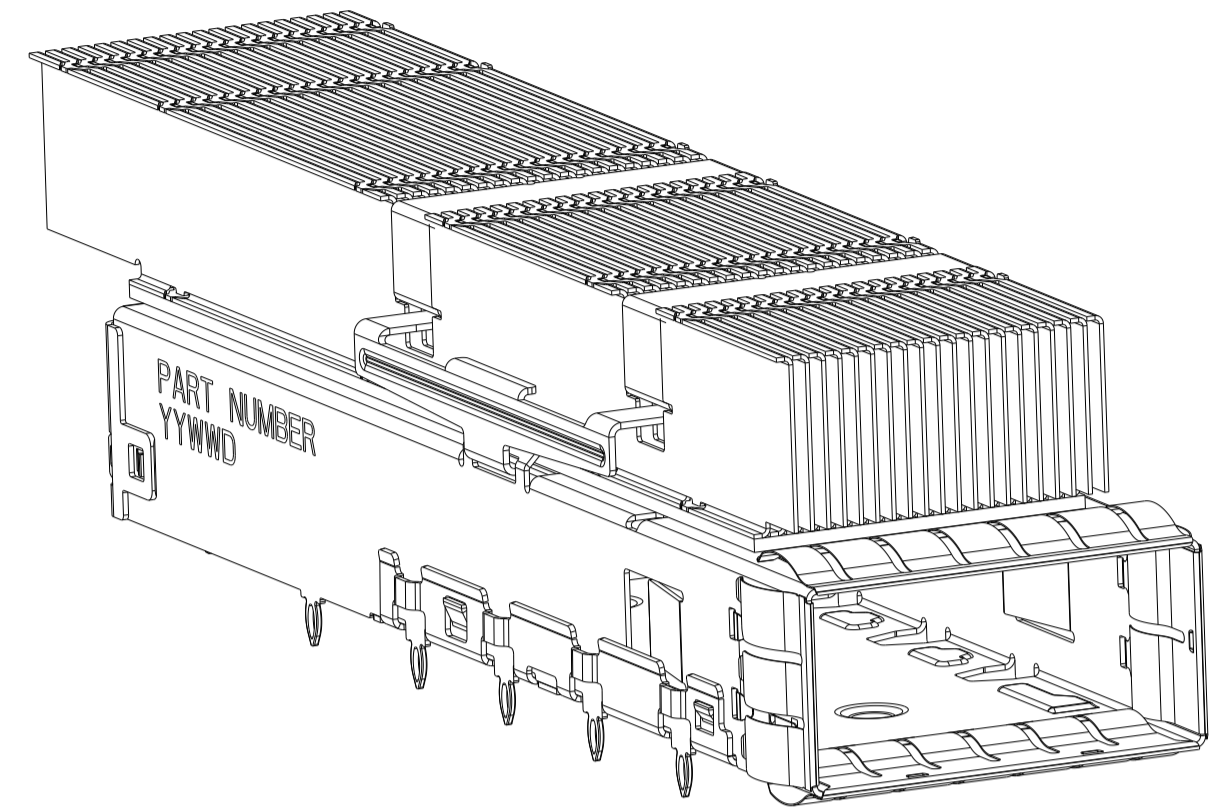
SCALE 3:1



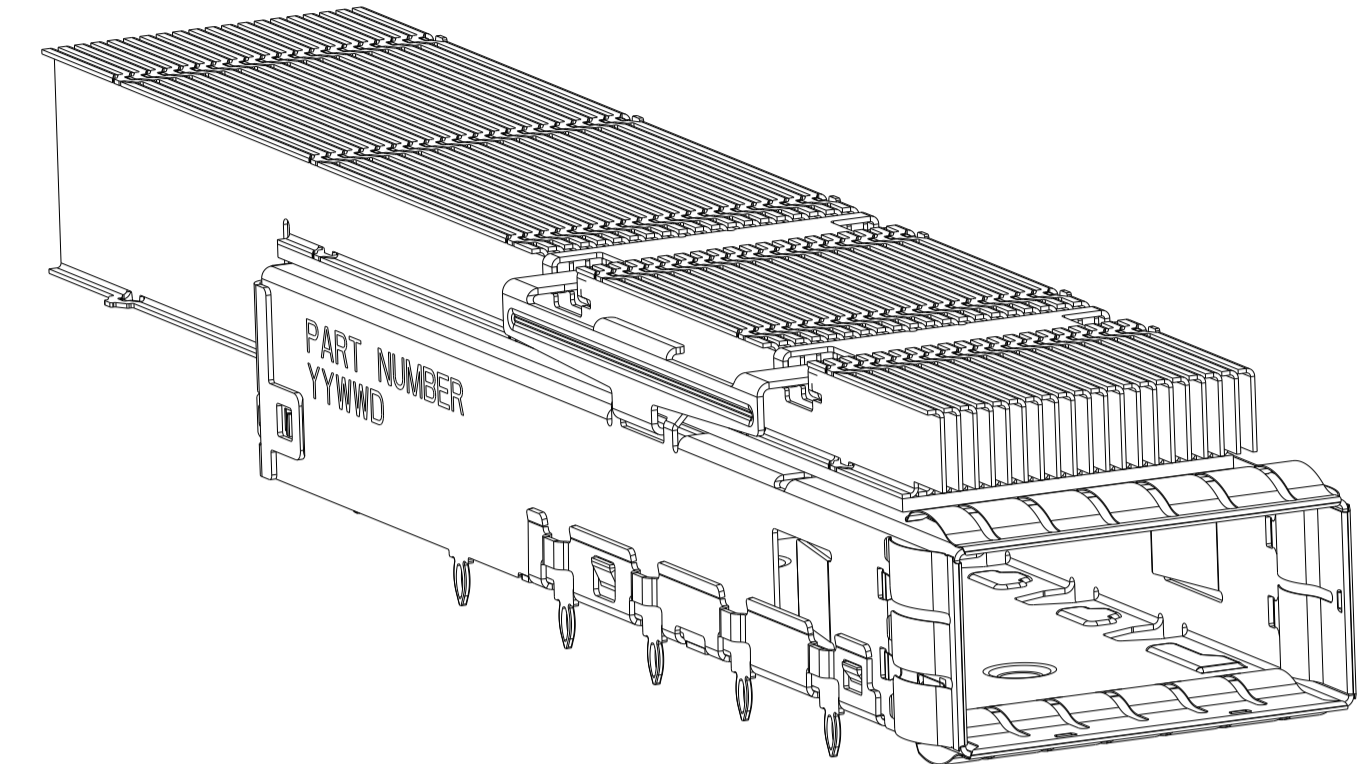
SCALE 3:1

THIS DRAWING IS A CONTROLLED DOCUMENT.		DMN	24AUG2017	TE Connectivity
DIMENSIONS:		CHK	24AUG2017	
mm	TOLERANCES UNLESS OTHERWISE SPECIFIED:	APVD	24AUG2017	NAME CAGE ASSEMBLY, QSFP-DD STANDARD WITH EMI SPRING FINGER
0 PLC ±0.25 1 PLC ±0.25 2 PLC ±0.20 3 PLC ±0.10 4 PLC ± ANGLES ± FINISH ±	PRODUCT SPEC APPLICATION SPEC	SIZE A1	CAGE CODE -	
MATERIAL	FINISH	WEIGHT	CUSTOMER DRAWING	RESTRICTED TO SCALE 2:1 SHEET 3 OF 12 REV A3

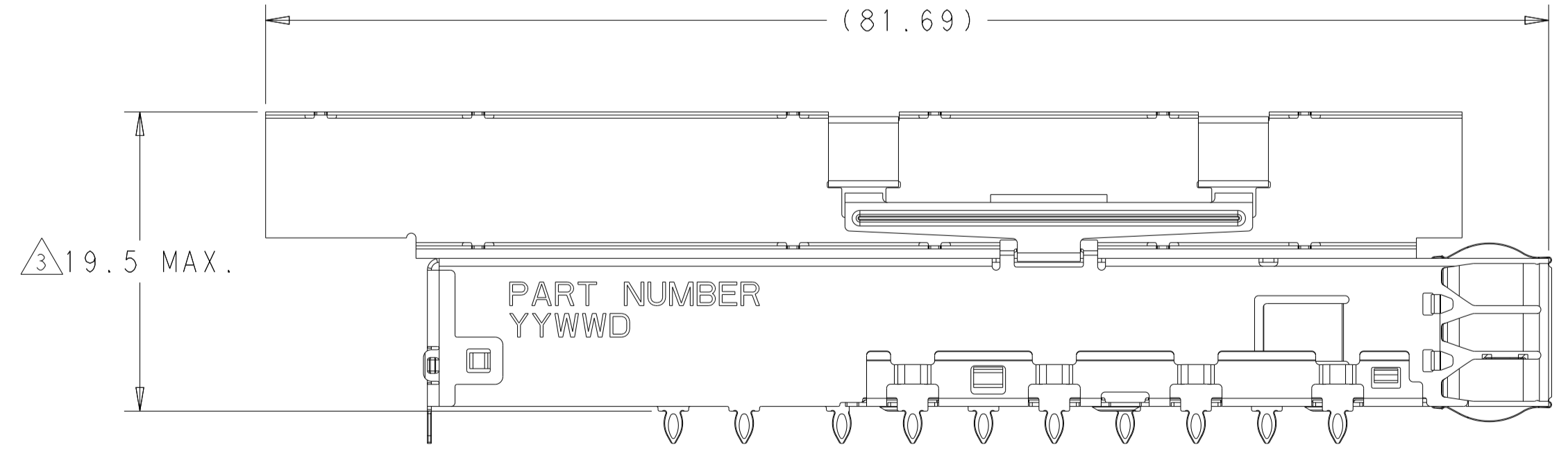
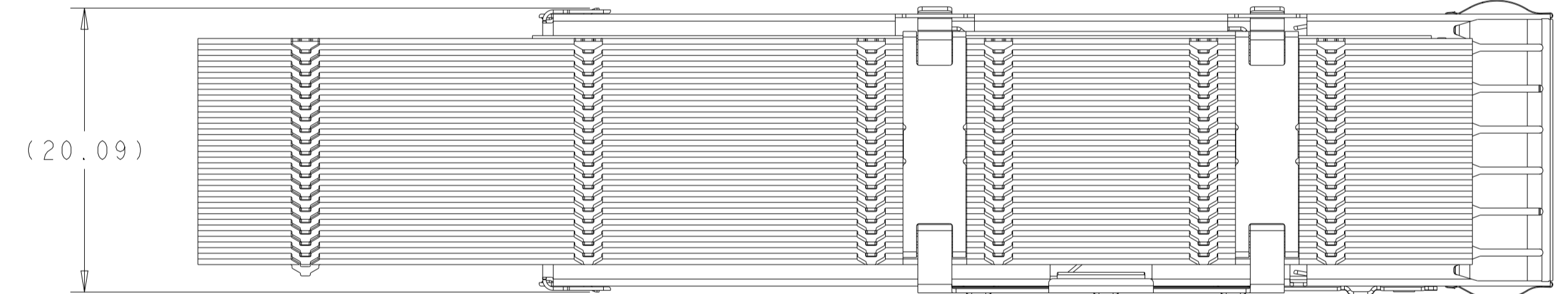
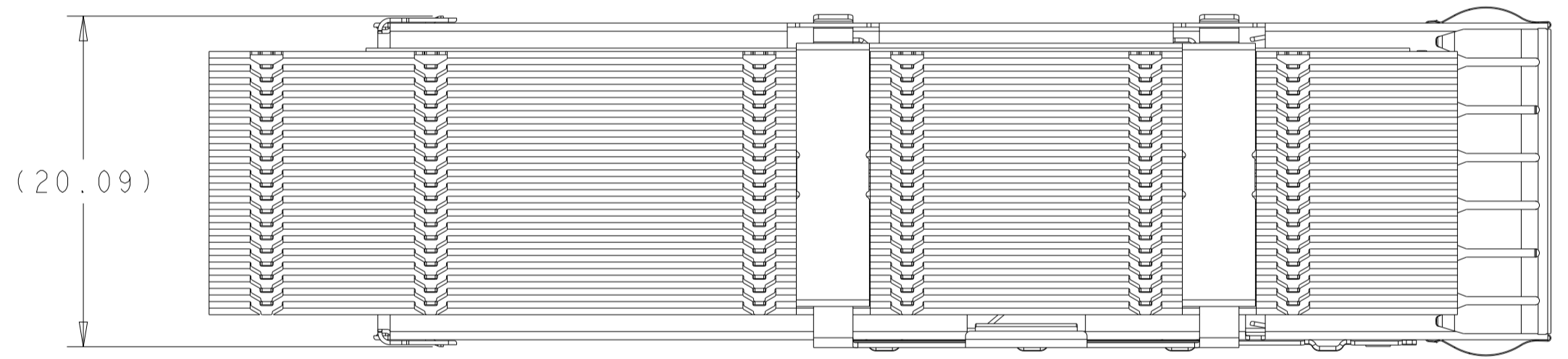
LOC		DIST		REVISIONS			
P	LTN	DESCRIPTION	DATE	OWN	APVD		
-	-	SEE SHEET 1	-	-	-		



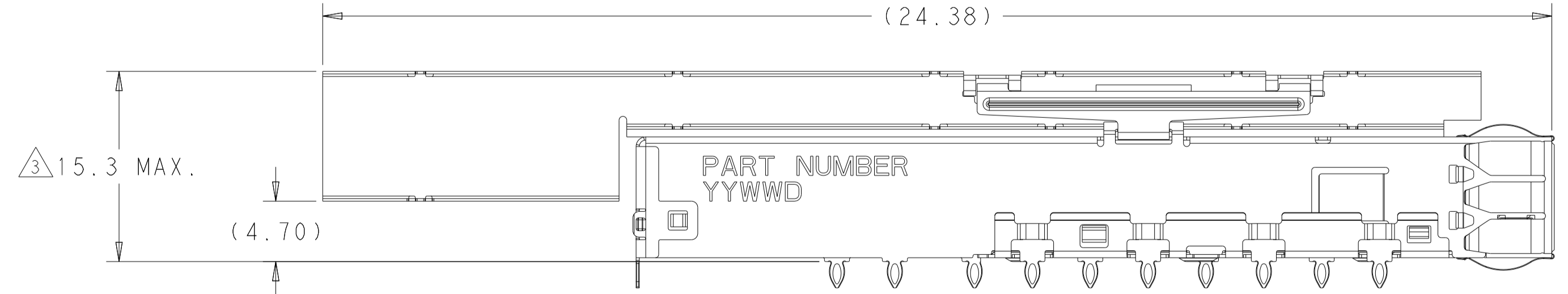
2324193-5 AS SHOWN  
 SAME AS -3 EXCEPT W/O LP  
 SCALE 3:1



2324193-6 AS SHOWN  
 SAME AS -4 EXCEPT W/O LP  
 SCALE 3:1



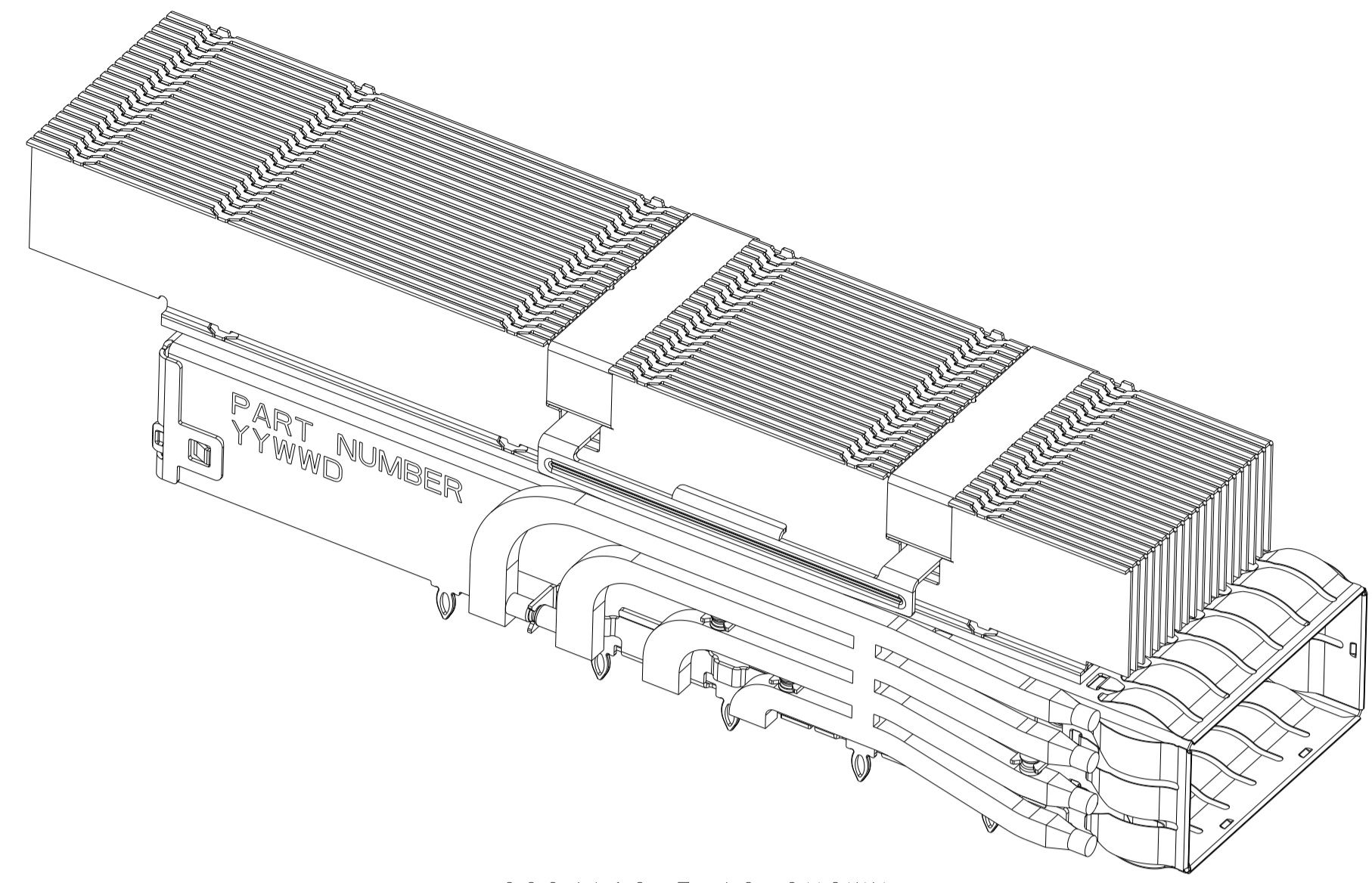
SCALE 3:1



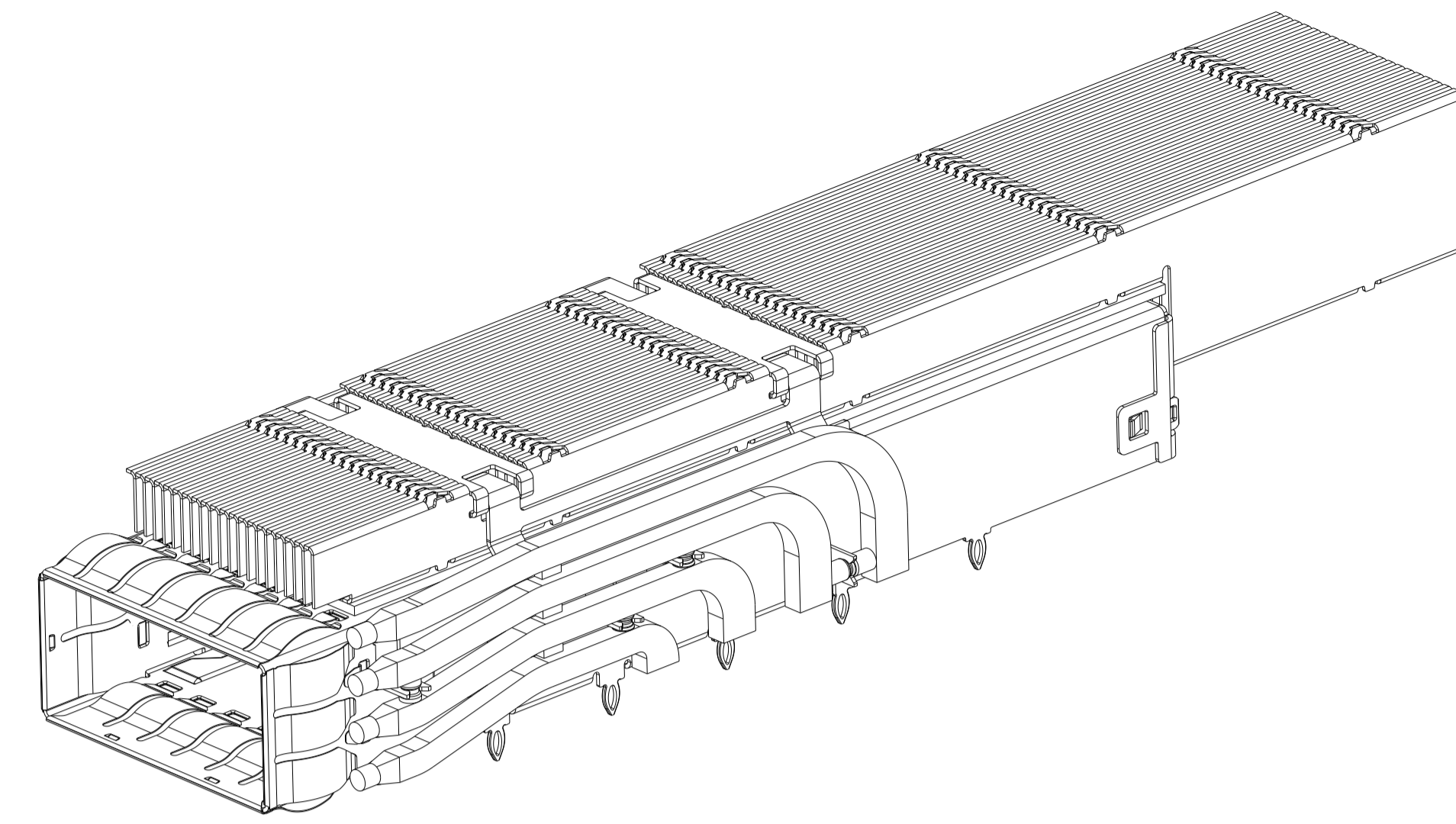
SCALE 3:1

THIS DRAWING IS A CONTROLLED DOCUMENT.		OWN: ARTHUR JIN 24AUG2017	TE Connectivity
DIMENSIONS: mm		CHK: SEAN HAN 24AUG2017	
TOLERANCES UNLESS OTHERWISE SPECIFIED:		APVD: SEAN HAN 24AUG2017	NAME: CAGE ASSEMBLY, QSFP-DD STANDARD WITH EMI SPRING FINGER
0 PLC ±0.25	1 PLC ±0.25	PRODUCT SPEC	SIZE: A1
2 PLC ±0.20	3 PLC ±0.10	APPLICATION SPEC	CAGE CODE: -
4 PLC ±	ANGLES ±	WEIGHT: -	DRAWING NO: C=2324193
FINISH: -		CUSTOMER DRAWING	RESTRICTED TO: -
SCALE: 2:1			SHEET: 4 OF 12
			REV: A3

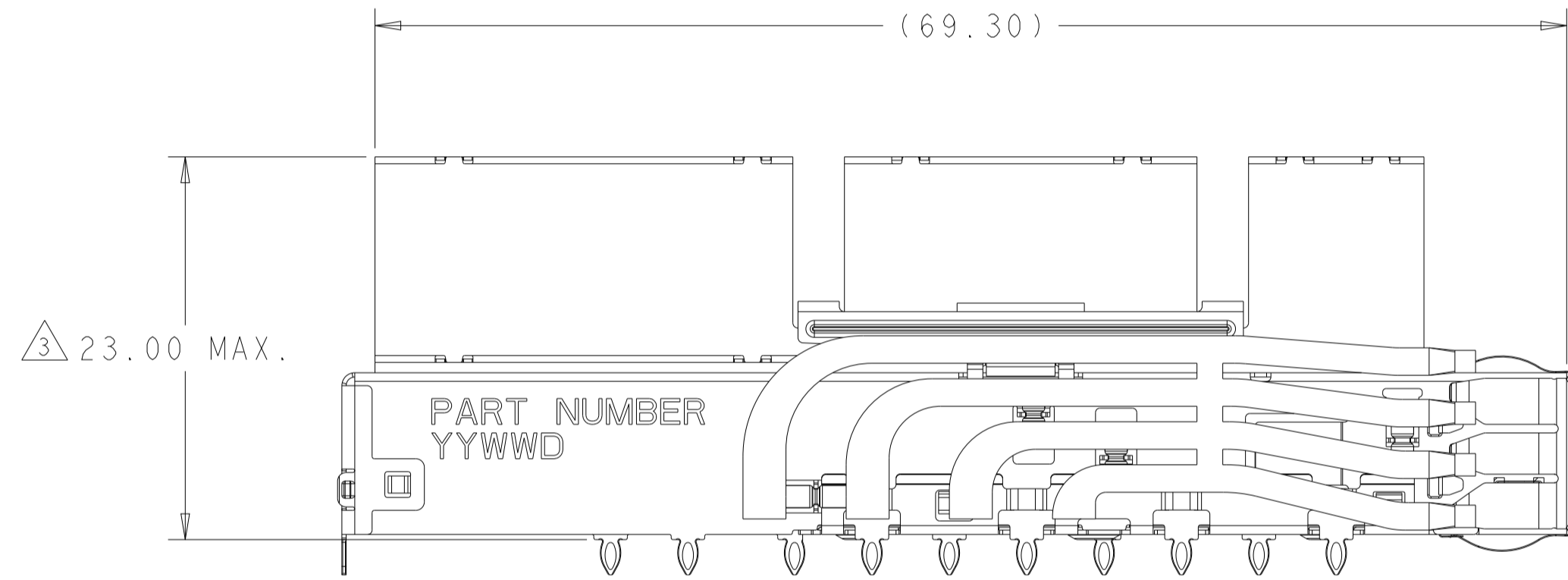
LOC		DIST		REVISIONS			
P	LTN	DESCRIPTION	DATE	DMN	APVD		
-	-	SEE SHEET 1	-	-	-		



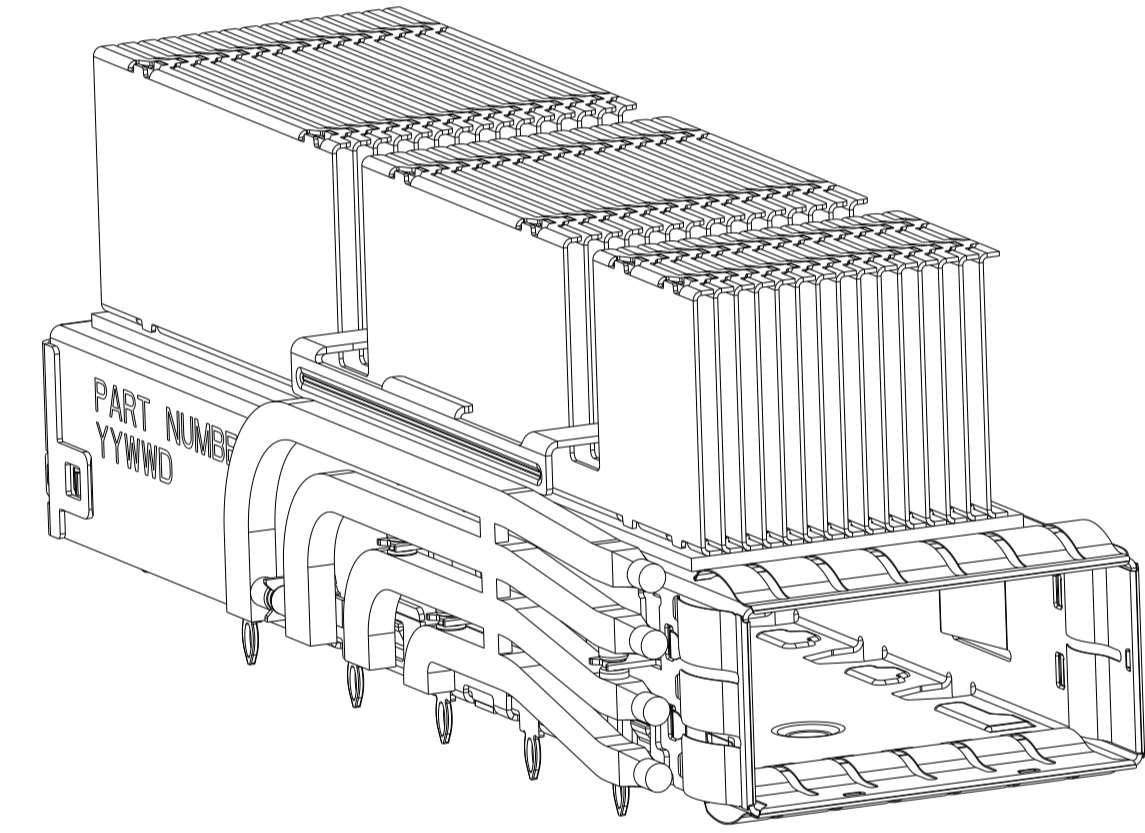
2324193-7 AS SHOWN  
 SAME AS -3 EXCEPT WITH COATED LP  
 SCALE 3:1



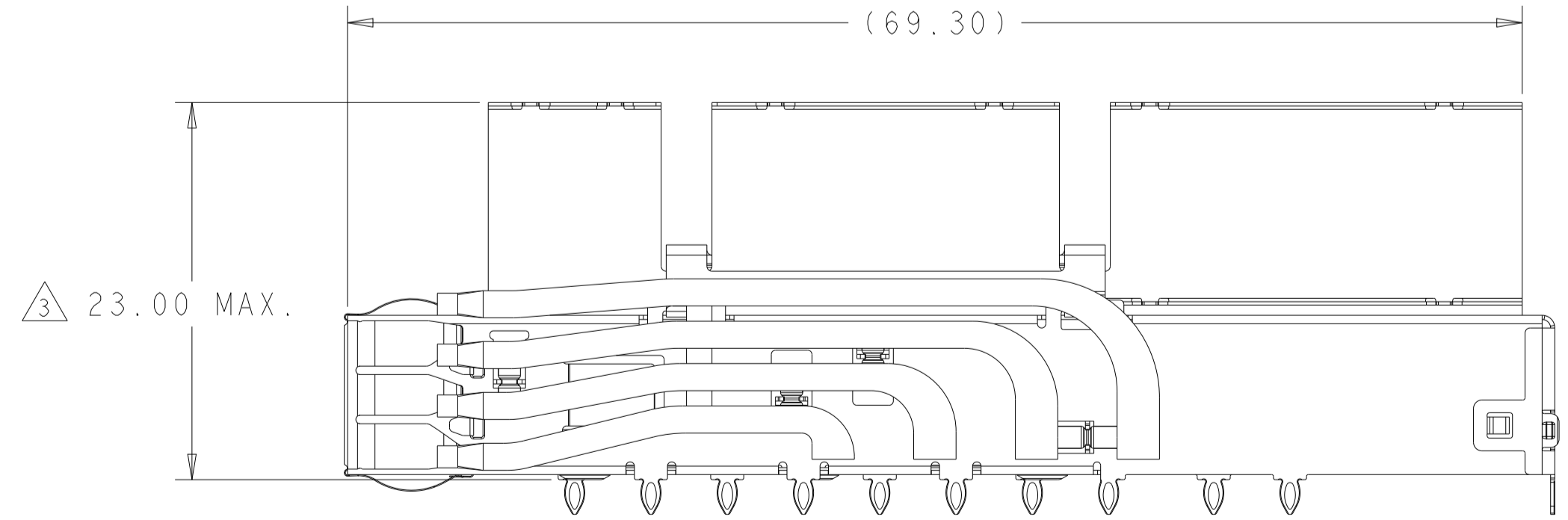
2324193-8 AS SHOWN  
 SAME AS -4 EXCEPT W/ COATED LP  
 SCALE 3:1



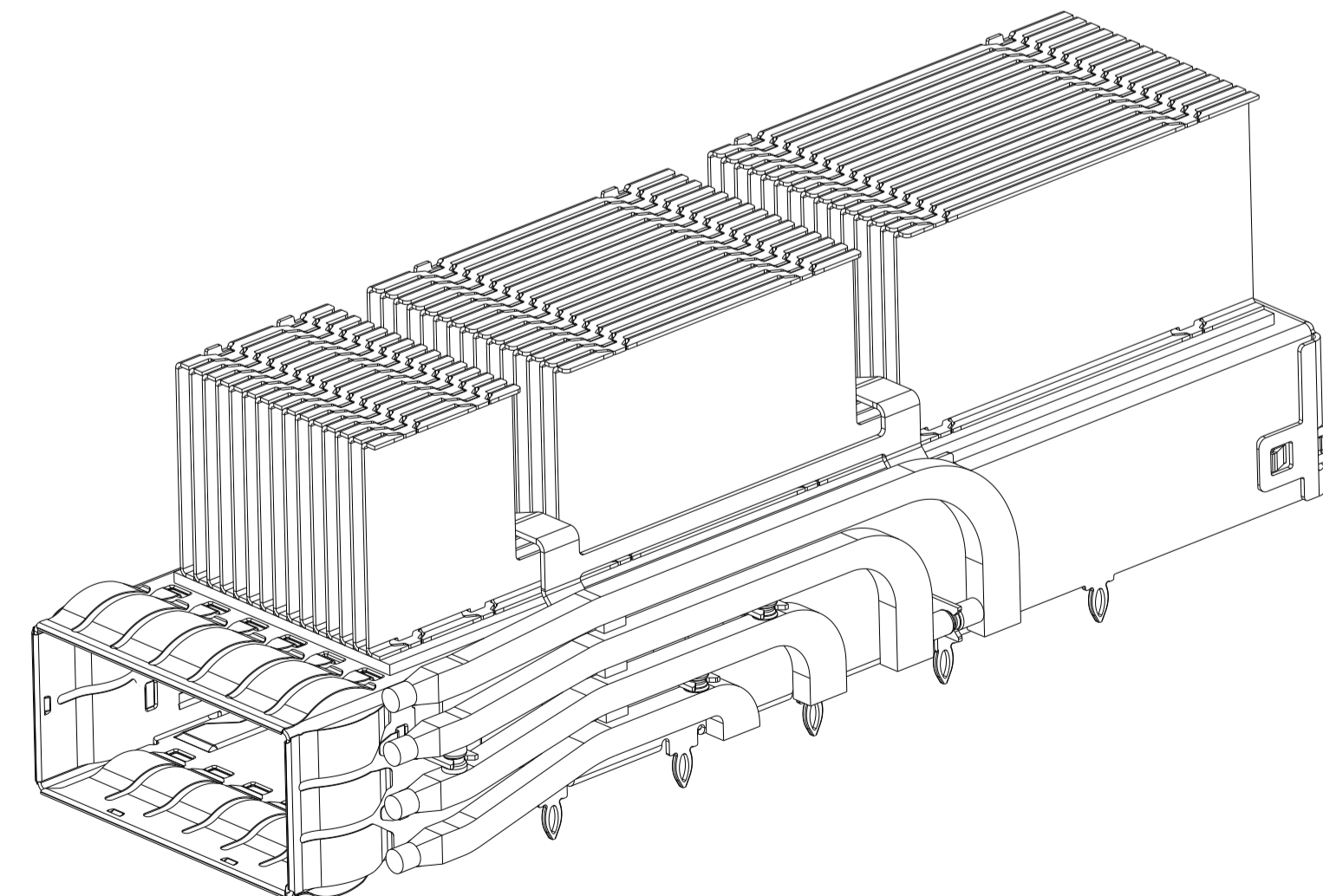
2324193-9 AS SHOWN  
 SAME AS -7 EXCEPT W/ HIGHER HS  
 SCALE 3:1



2324193-9 AS SHOWN  
 SCALE 3:1



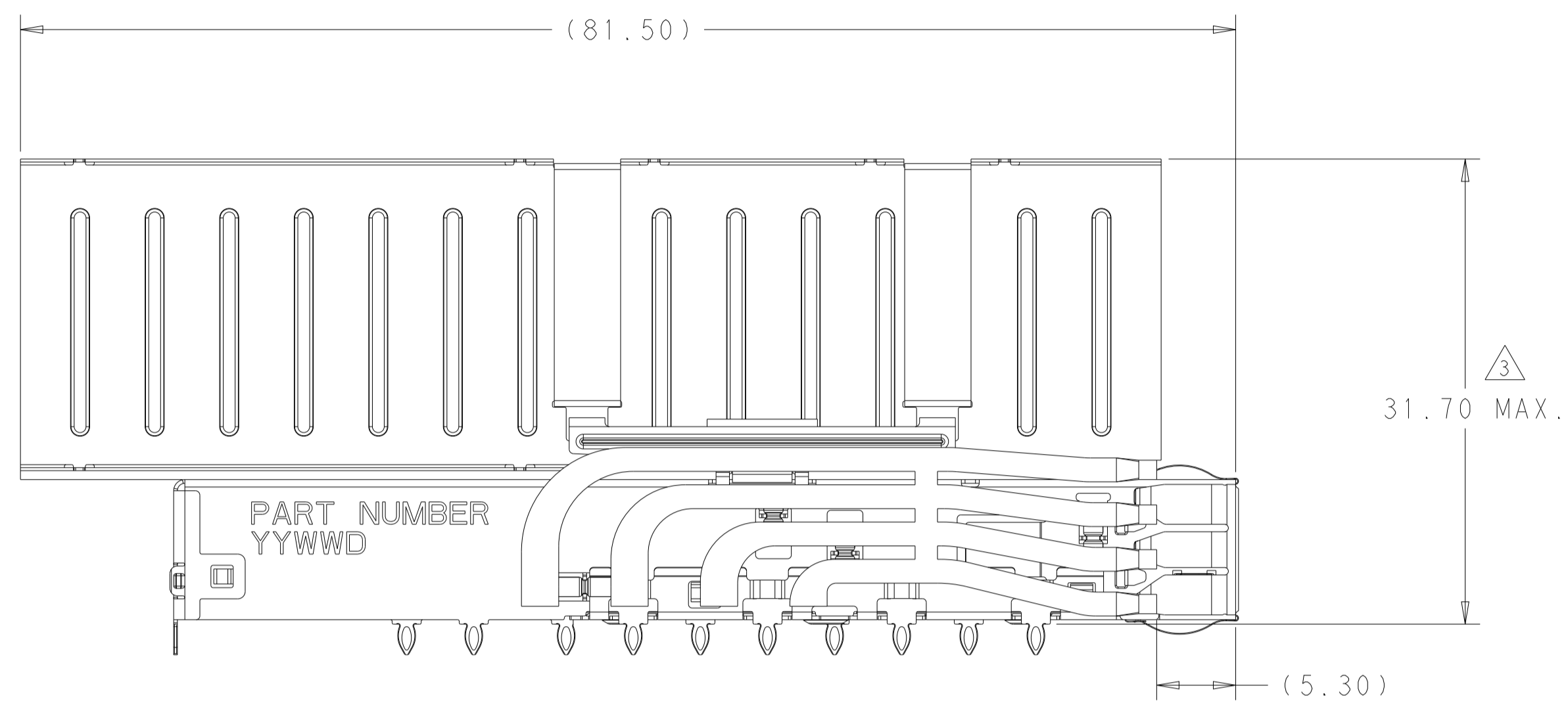
1-2324193-0 AS SHOWN  
 SAME AS -9 EXCEPT W/ RIGHT LP  
 SCALE 3:1



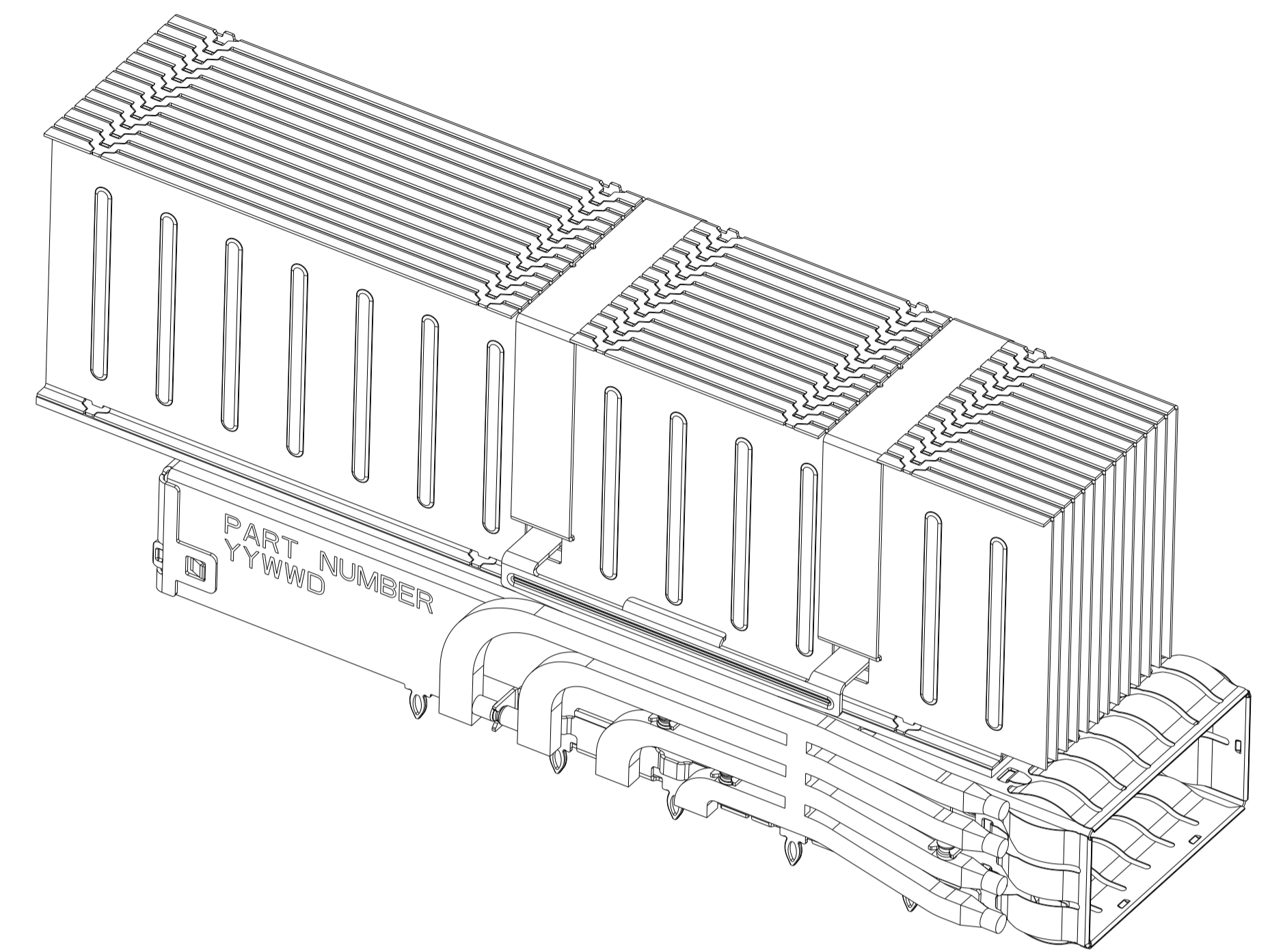
1-2324193-0 AS SHOWN  
 SAME AS -9 EXCEPT W/ RIGHT LP  
 SCALE 3:1

THIS DRAWING IS A CONTROLLED DOCUMENT.		DMN: ARTHUR JLN 24AUG2017	TE Connectivity
DIMENSIONS:		CHK: SEAN HAN 24AUG2017	
mm	0 PLC ±0.25 1 PLC ±0.25 2 PLC ±0.20 3 PLC ±0.10 4 PLC ± ANGLES ±°	APVD: SEAN HAN 24AUG2017	NAME: CAGE ASSEMBLY, QSFP-DD STANDARD WITH EMI SPRING FINGER
MATERIAL:	FINISH:	APPLICATION SPEC:	RESTRICTED TO:
		WEIGHT:	SIZE: A1
		CUSTOMER DRAWING	SCALE: 2:1 SHEET 5 OF 12 REV A3

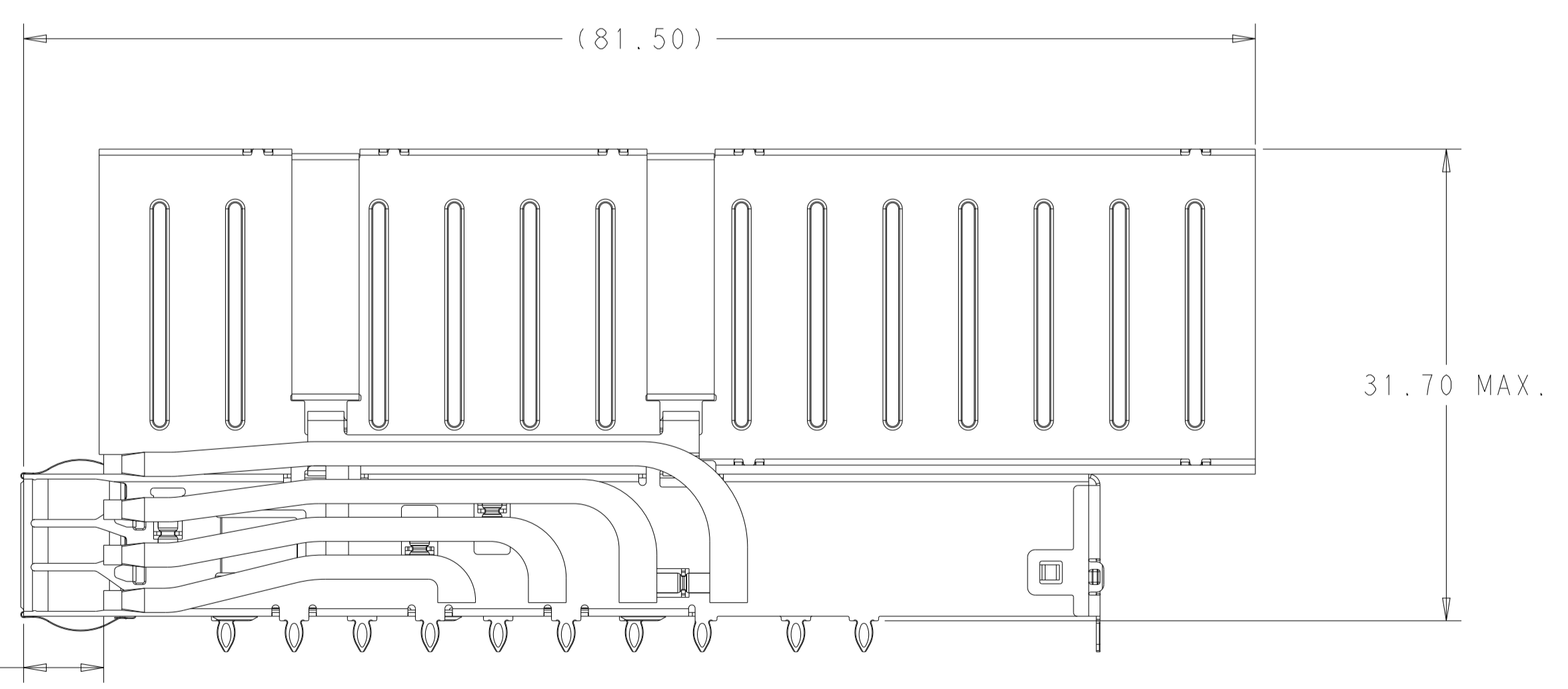
LOC		DIST		REVISIONS			
P	LYR	DESCRIPTION	DATE	OWN	APVD		
-	-	SEE SHEET 1	-	-	-		



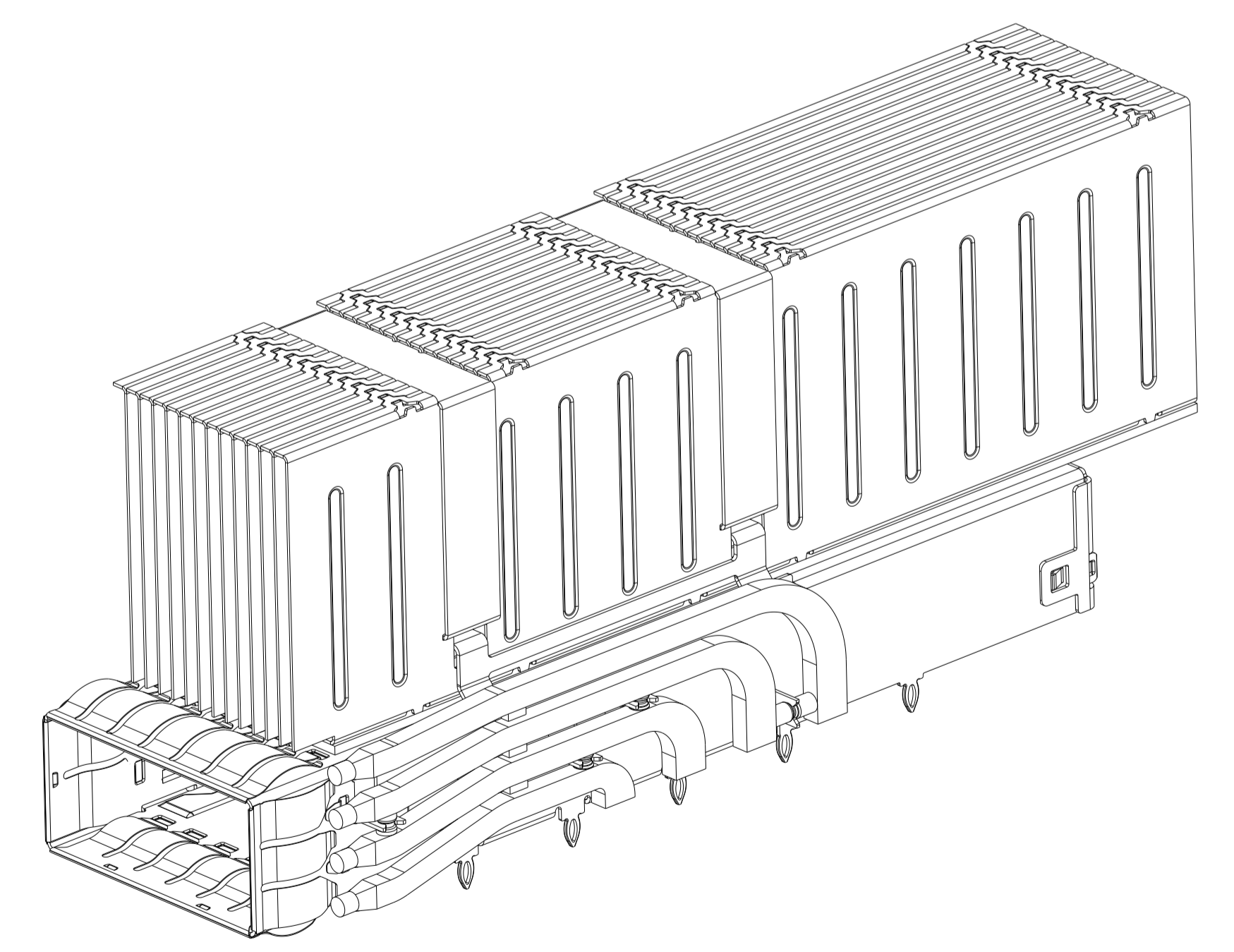
1-2324193-1 AS SHOWN  
 SAME AS -7 EXCEPT W/ -2 HEAT SINK  
 SCALE 3:1



1-2324193-1 AS SHOWN  
 SCALE 3:1



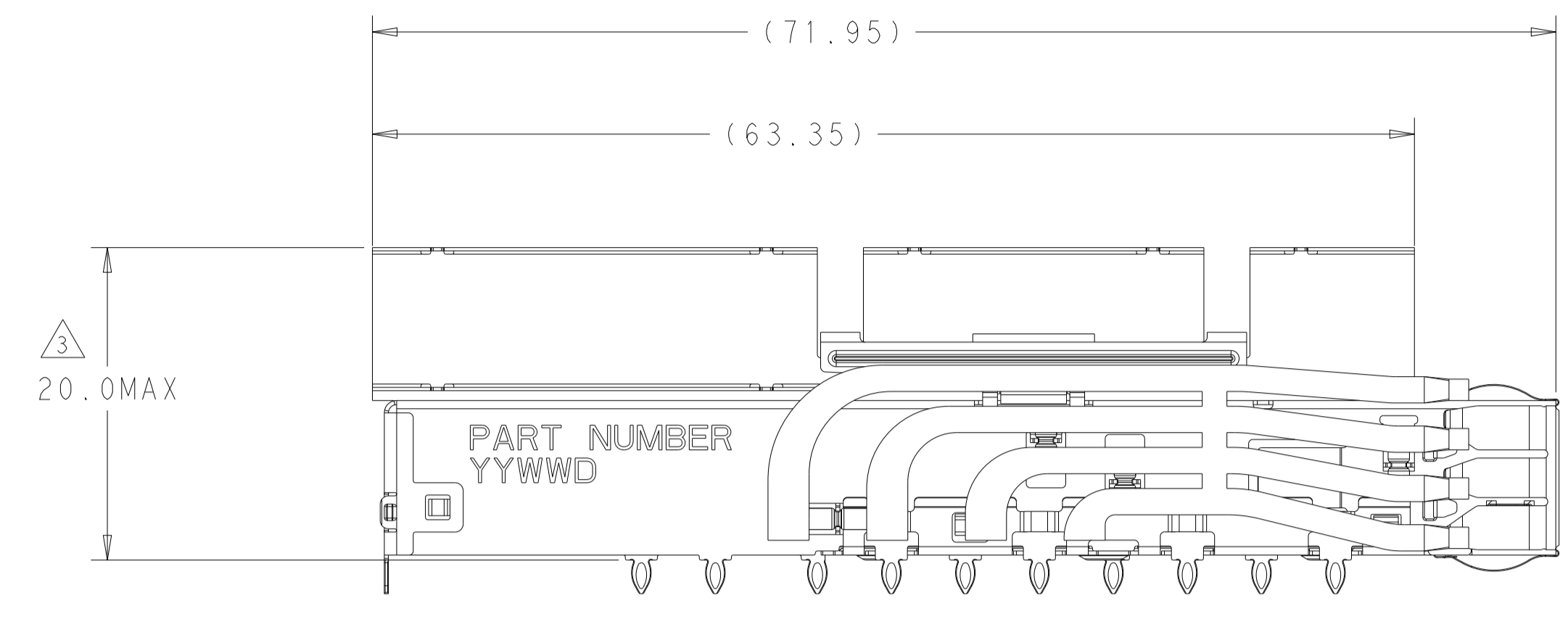
1-2324193-2 AS SHOWN  
 SAME AS -8 EXCEPT W/ -2 HEAT SINK  
 SCALE 3:1



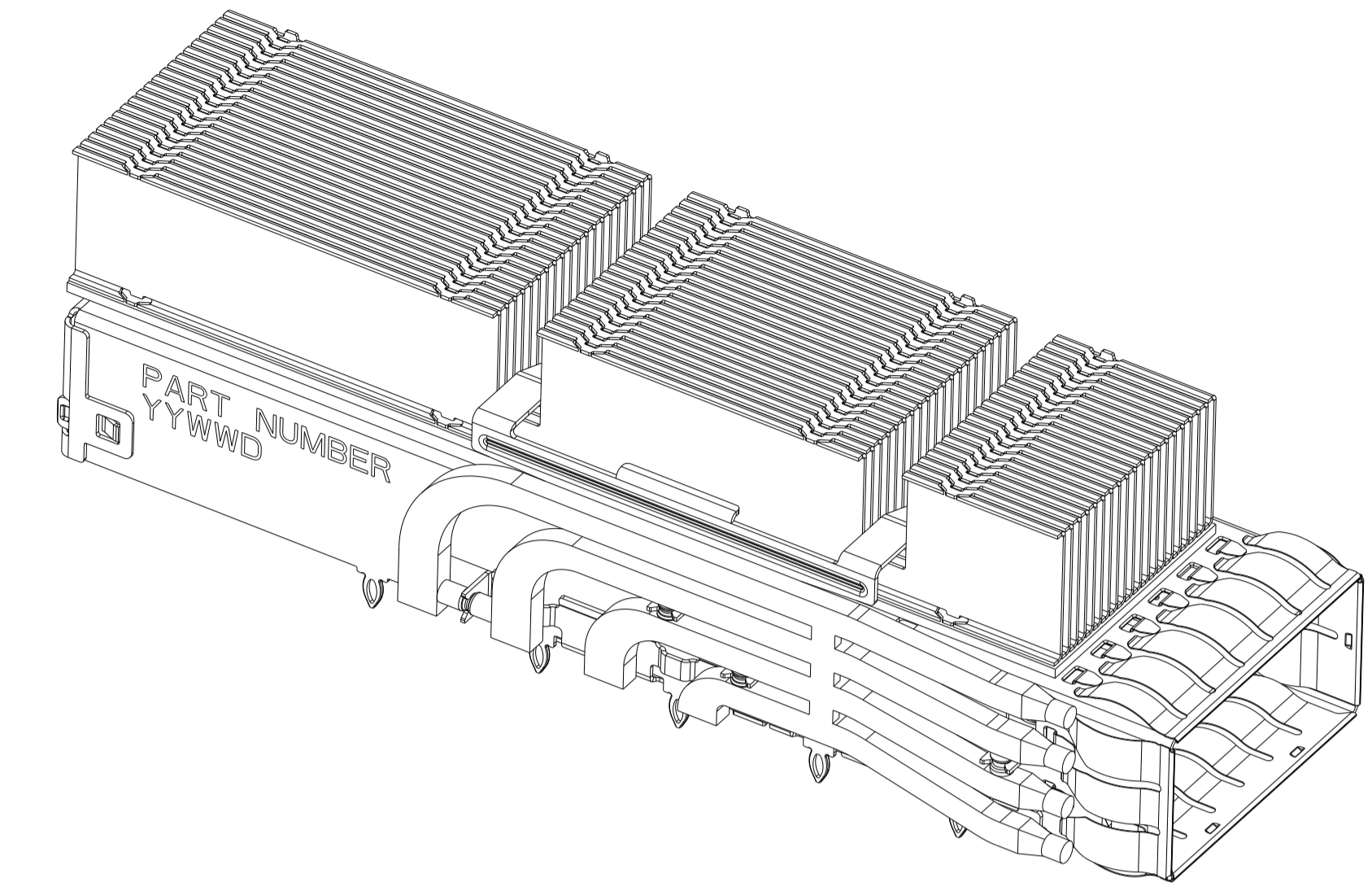
1-2324193-2 AS SHOWN  
 SCALE 3:1

THIS DRAWING IS A CONTROLLED DOCUMENT.		OWN	24AUG2017	TE Connectivity NAME CAGE ASSEMBLY, QSPF-DD STANDARD WITH EMI SPRING FINGER			
DIMENSIONS:		CHK	24AUG2017				
TOLERANCES UNLESS OTHERWISE SPECIFIED:		APVD	24AUG2017				
mm		NAME	PRODUCT SPEC				
0 PLC	±0.25	APPLICATION SPEC		SIZE	CAGE CODE	DRAWING NO	RESTRICTED TO
1 PLC	±0.25	WEIGHT		A1	-	C=2324193	
2 PLC	±0.20	CUSTOMER DRAWING		SCALE	2:1	SHEET	6 OF 12
3 PLC	±0.10			REV			A3
4 PLC	±						
ANGLES	±						
FINISH	±						

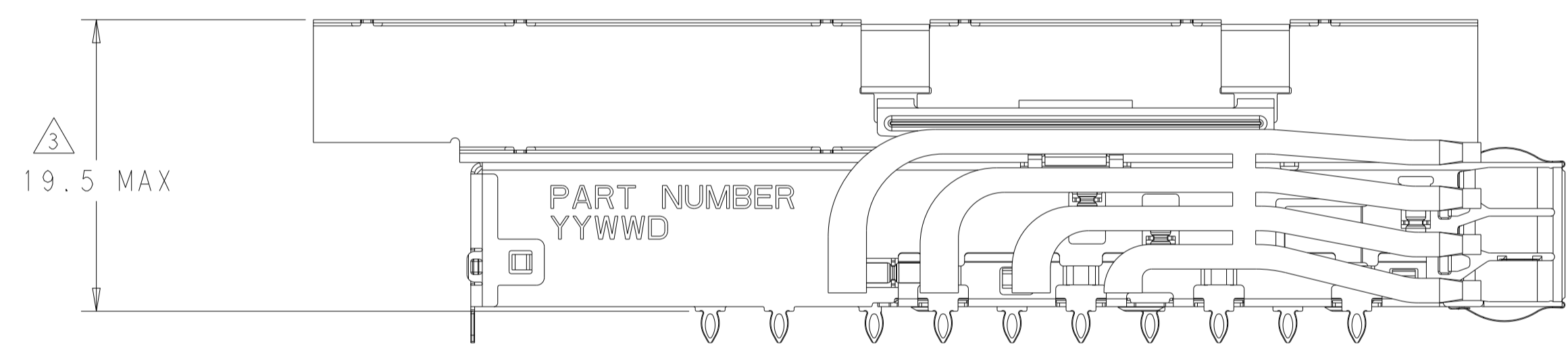
LOC		DIST		REVISIONS			
P	LTN	DESCRIPTION	DATE	DMN	APVD		
-	-	SEE SHEET 1	-	-	-		



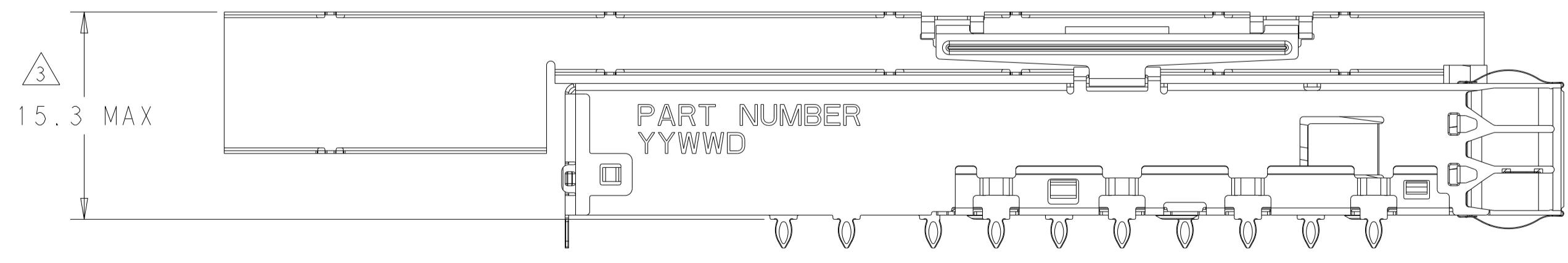
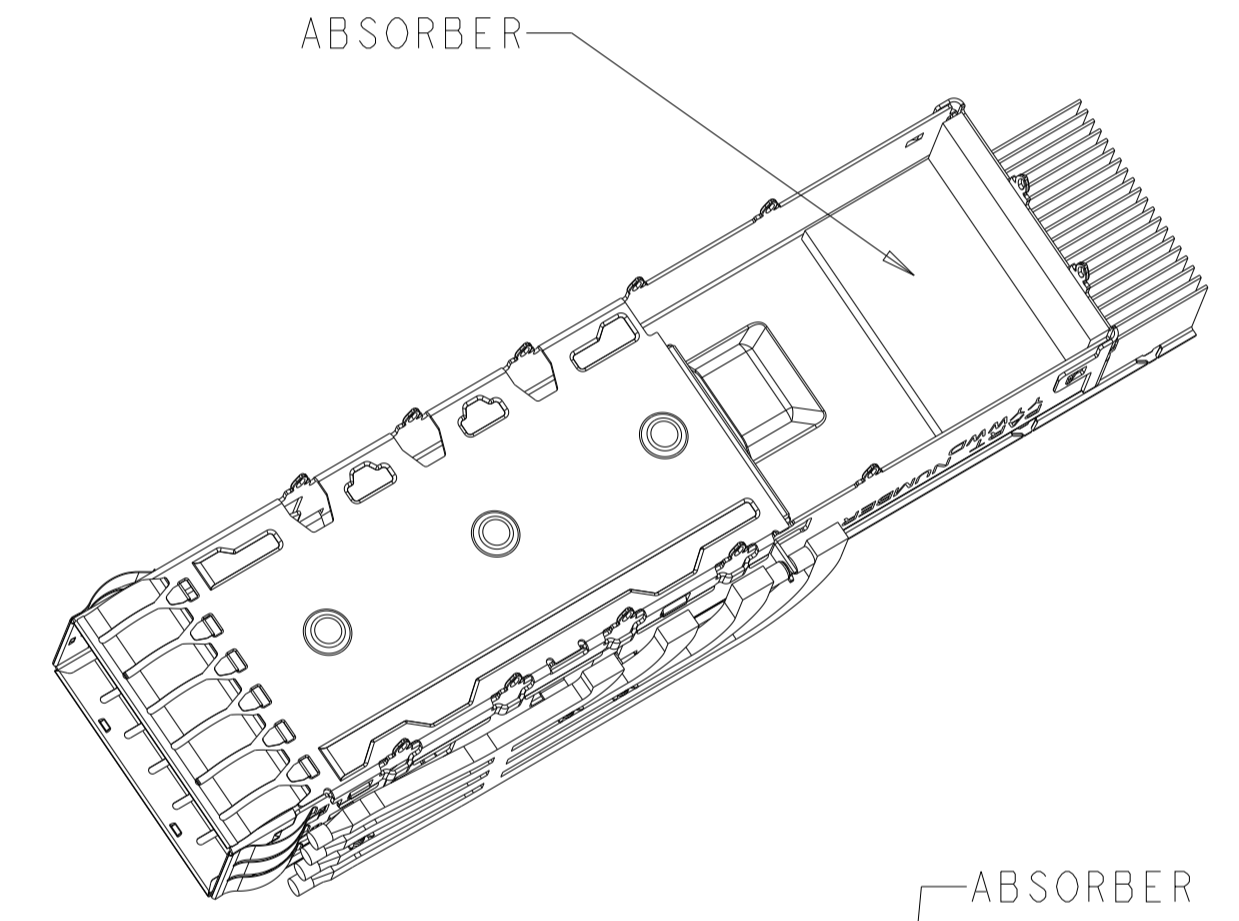
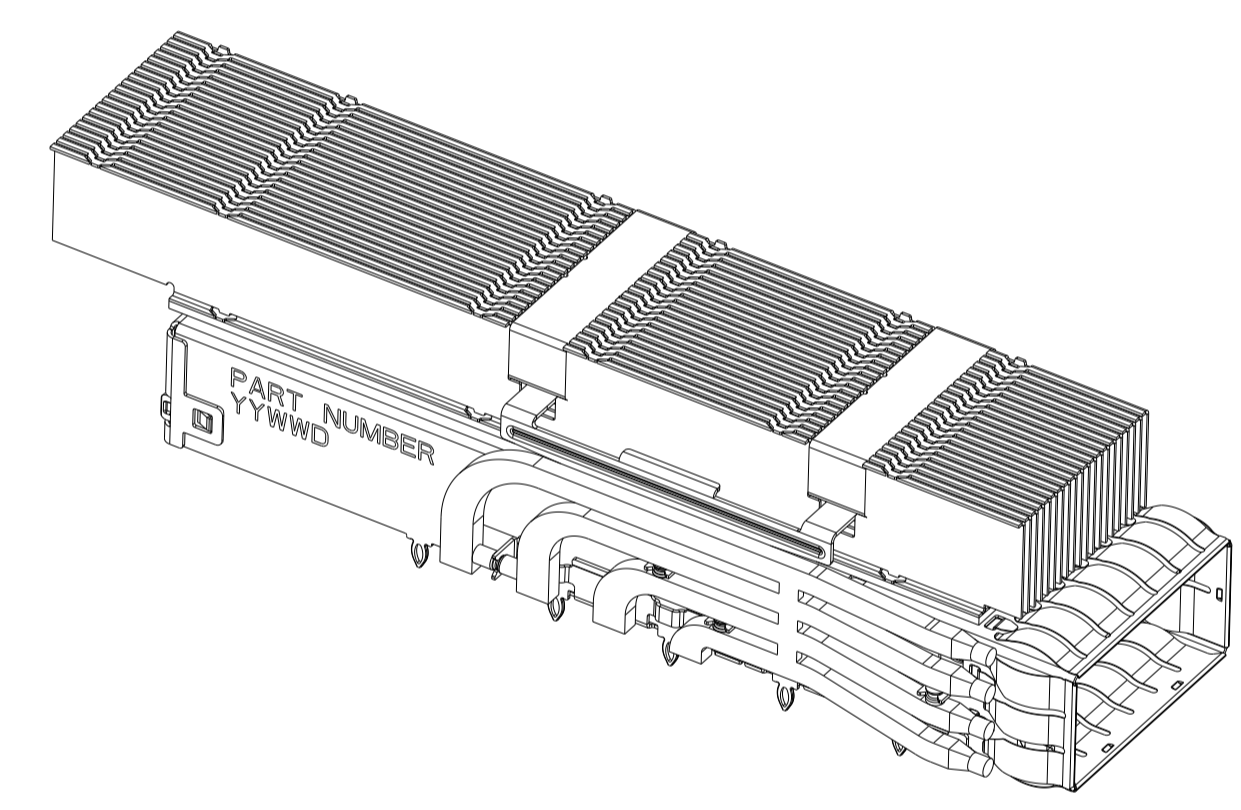
1-2324193-3 AS SHOWN  
 SAME AS -3 EXCEPT HS AND W/O SEAL SHEET  
 SCALE 3:1



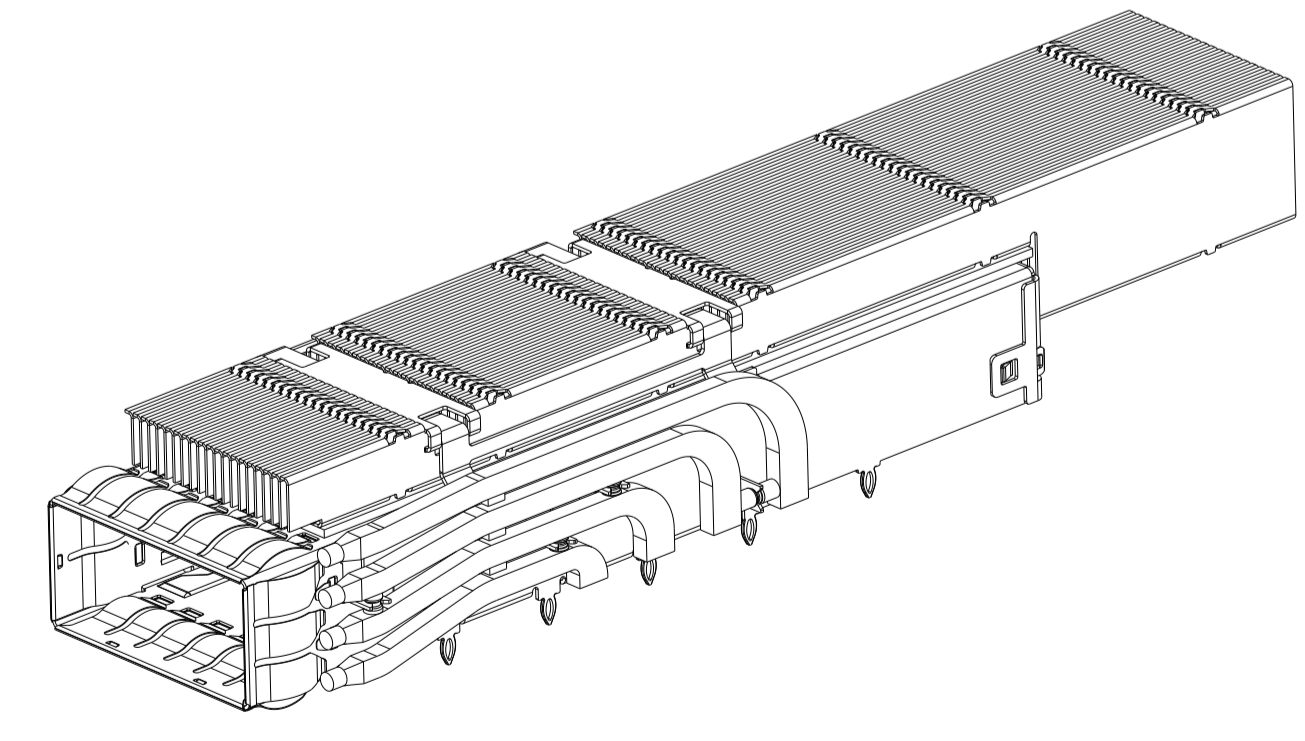
1-2324193-3 AS SHOWN  
 SCALE 3:1



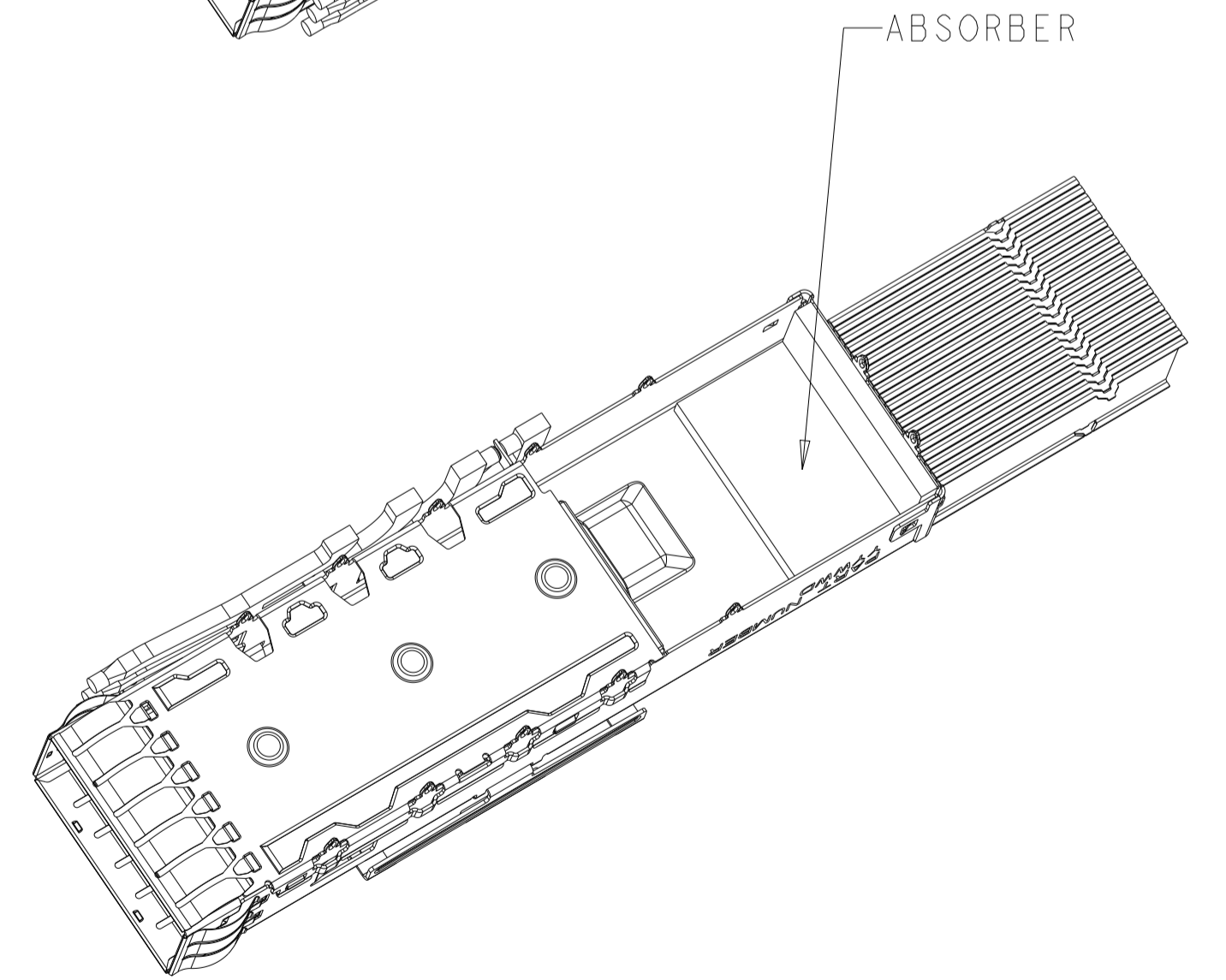
1-2324193-7 SAME AS 2324193-7 EXCEPT WITH ABSORBER  
 SCALE 3:1



1-2324193-8 SAME AS 2324193-8 EXCEPT WITH ABSORBER  
 SCALE 3:1



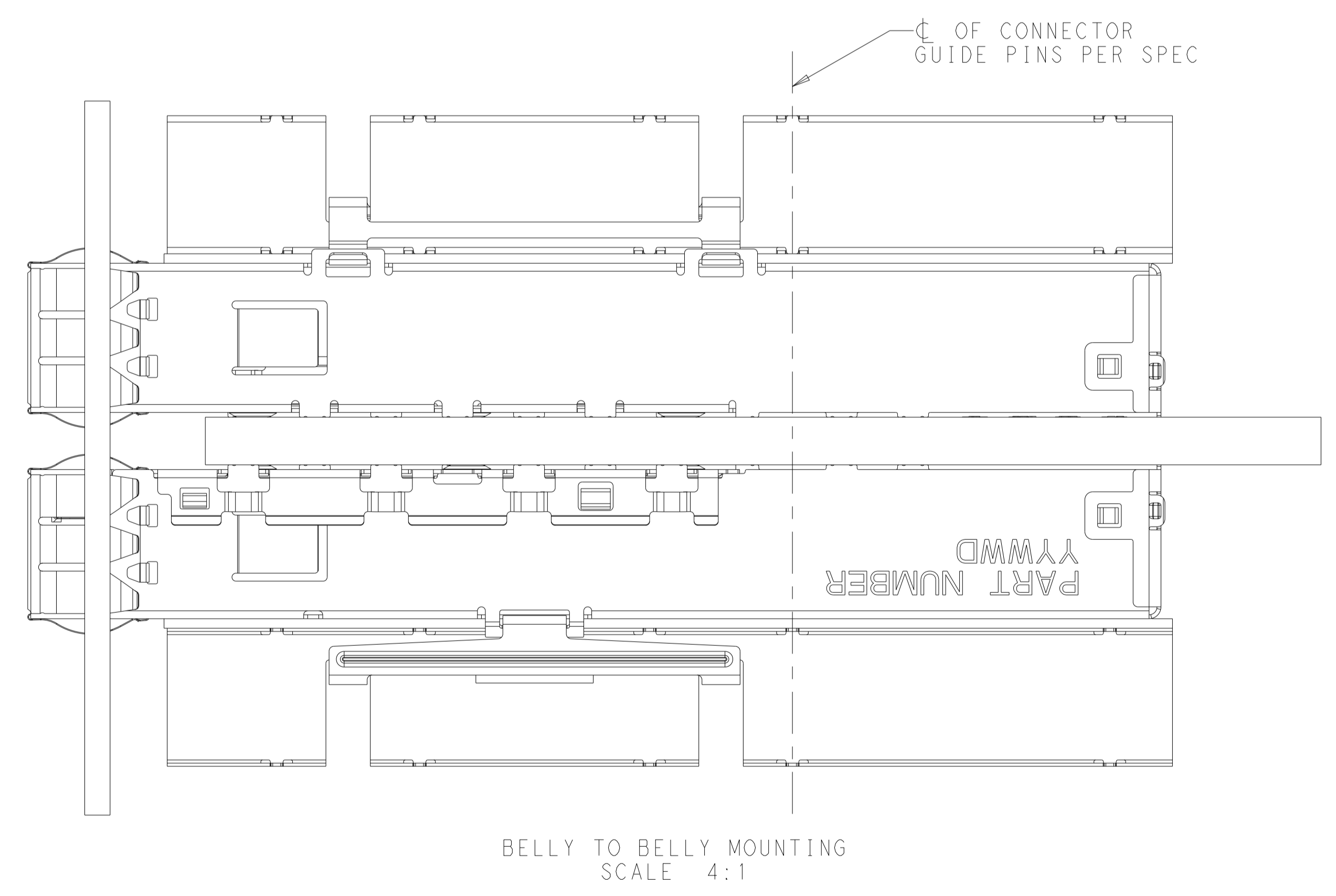
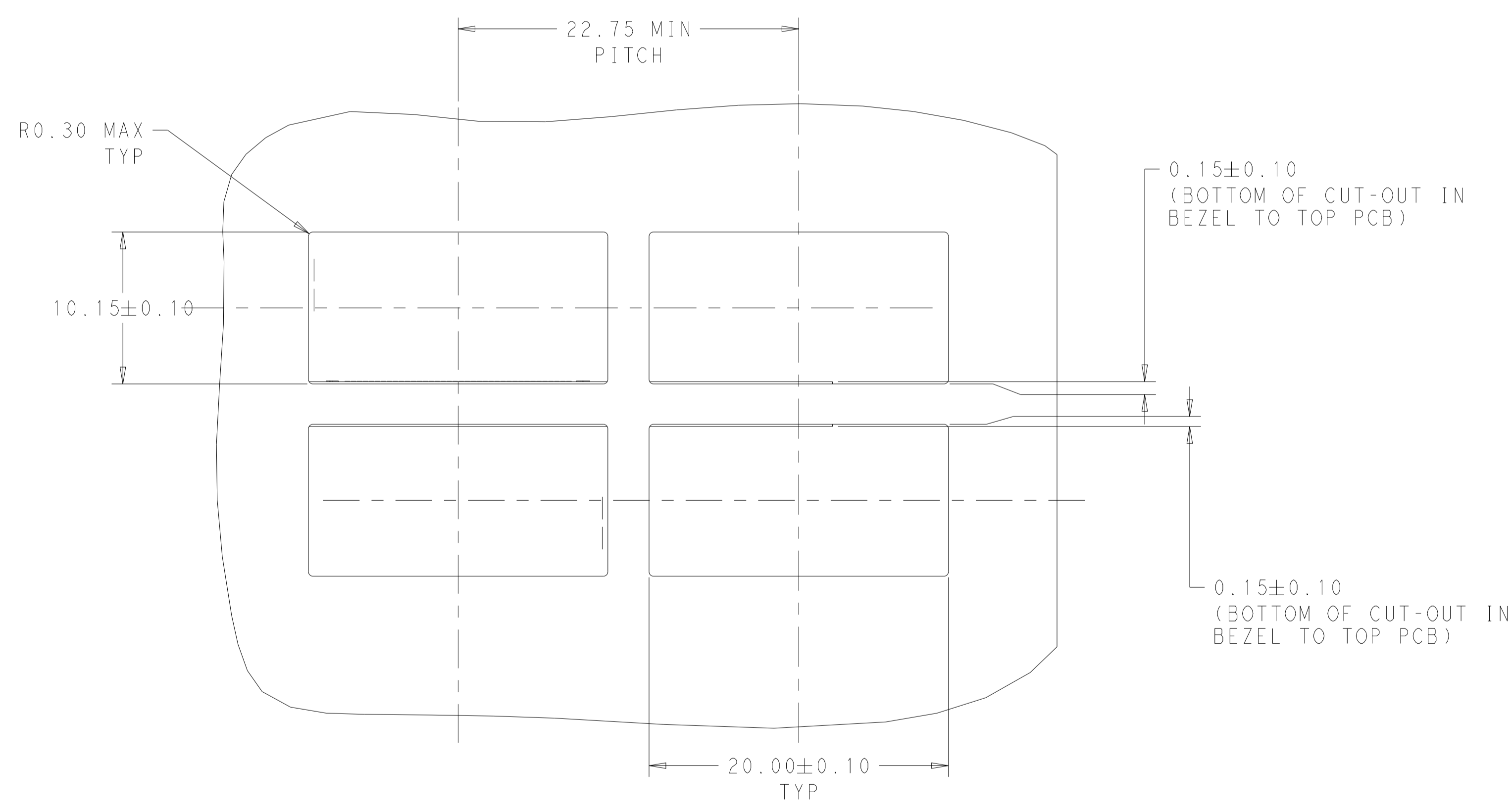
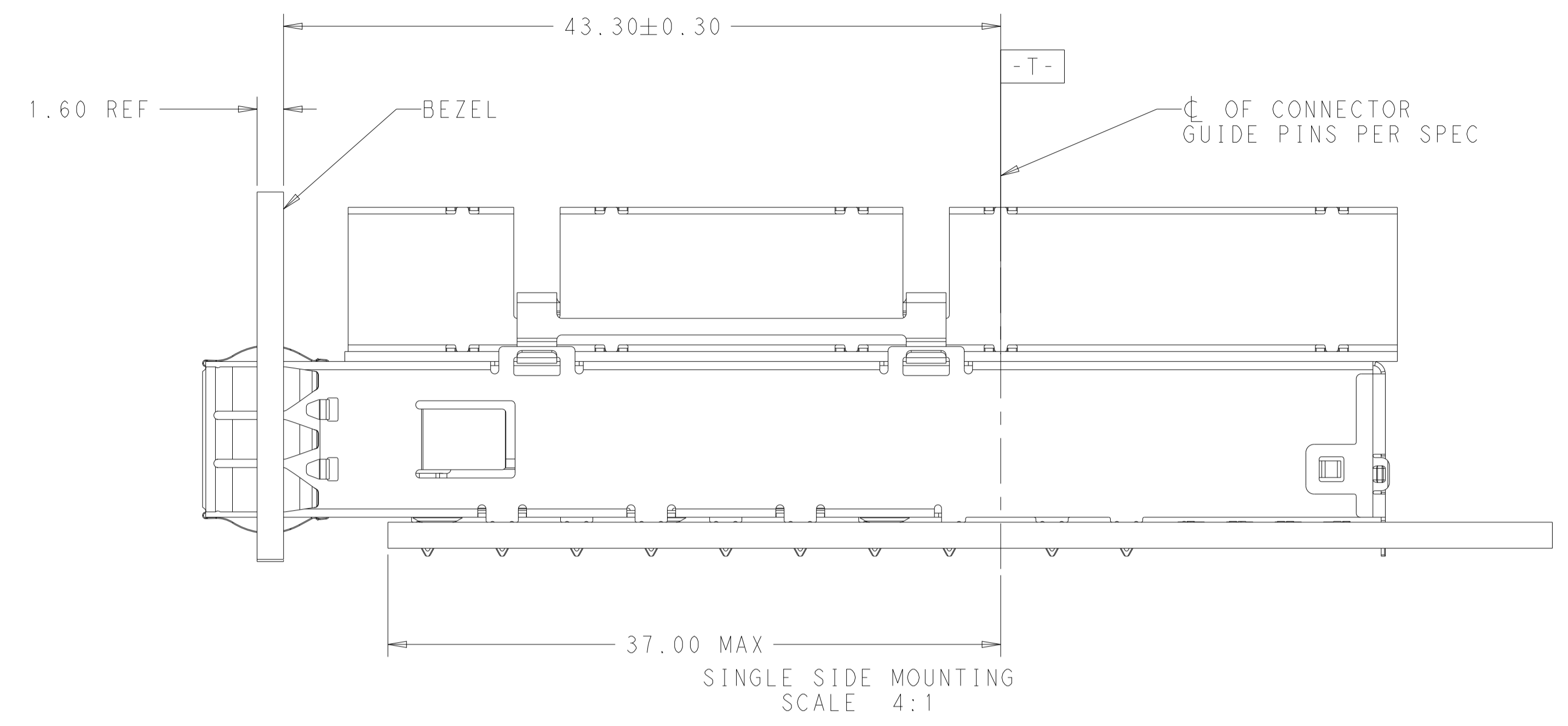
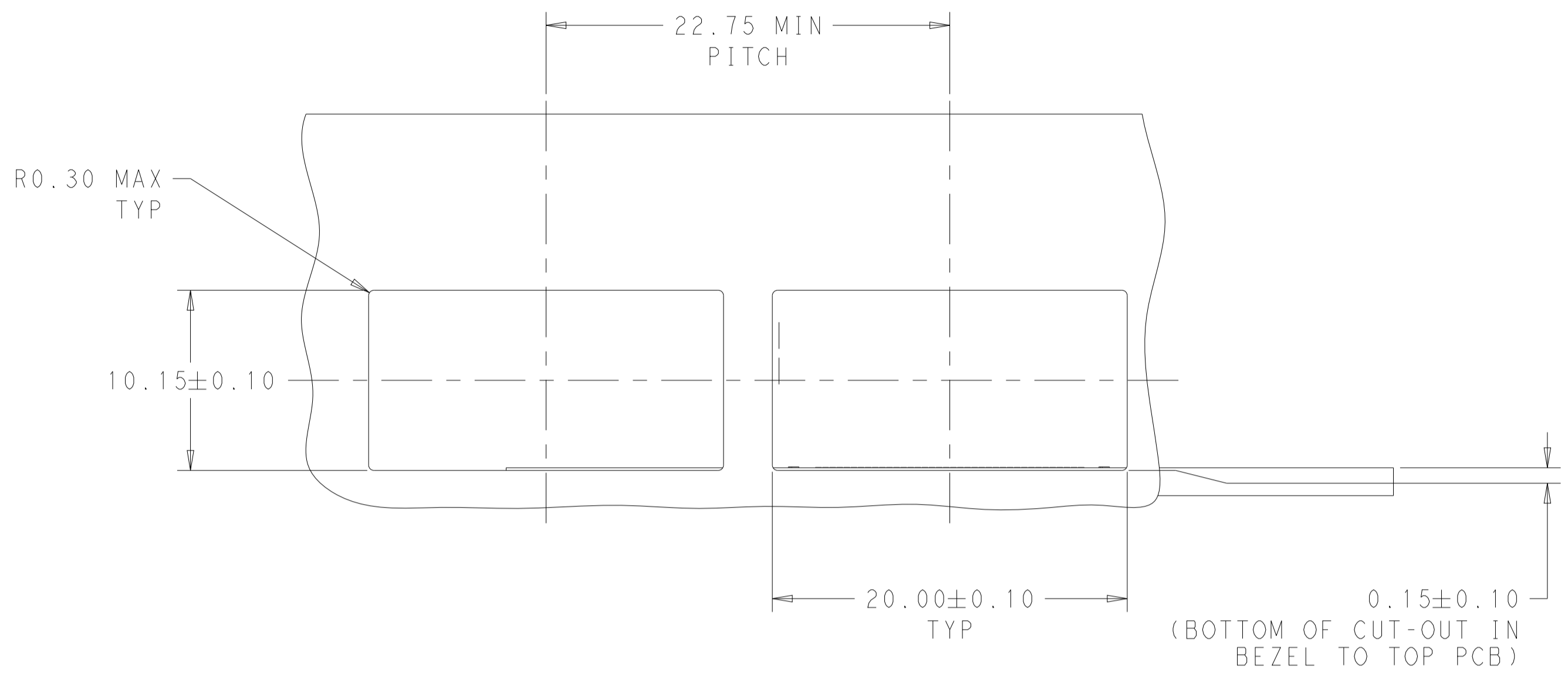
SCALE 2:1



THIS DRAWING IS A CONTROLLED DOCUMENT.		DMN	24AUG2017	TE Connectivity NAME CAGE ASSEMBLY, QSFP-DD STANDARD WITH EMI SPRING FINGER
DIMENSIONS:		CHK	24AUG2017	
mm		APVD	24AUG2017	
0 PLC ±0.25 1 PLC ±0.25 2 PLC ±0.20 3 PLC ±0.10 4 PLC ± ANGLES ±° FINISH		SEAN HAN SEAN HAN SEAN HAN PRODUCT SPEC APPLICATION SPEC	SIZE A1	
MATERIAL		WEIGHT		CAGE CODE -
		CUSTOMER DRAWING		DRAWING NO C=2324193
		SCALE 2:1		SHEET 7 OF 12 REV A3

LOC		DIST		REVISIONS			
P	LTN	DATE	DMN	APVD	DESCRIPTION	DATE	DMN
-	-	-	-	-	SEE SHEET 1	-	-

GENERAL CONFIGURATION APPLIED FOR 2324193-1/-2/-5/-6

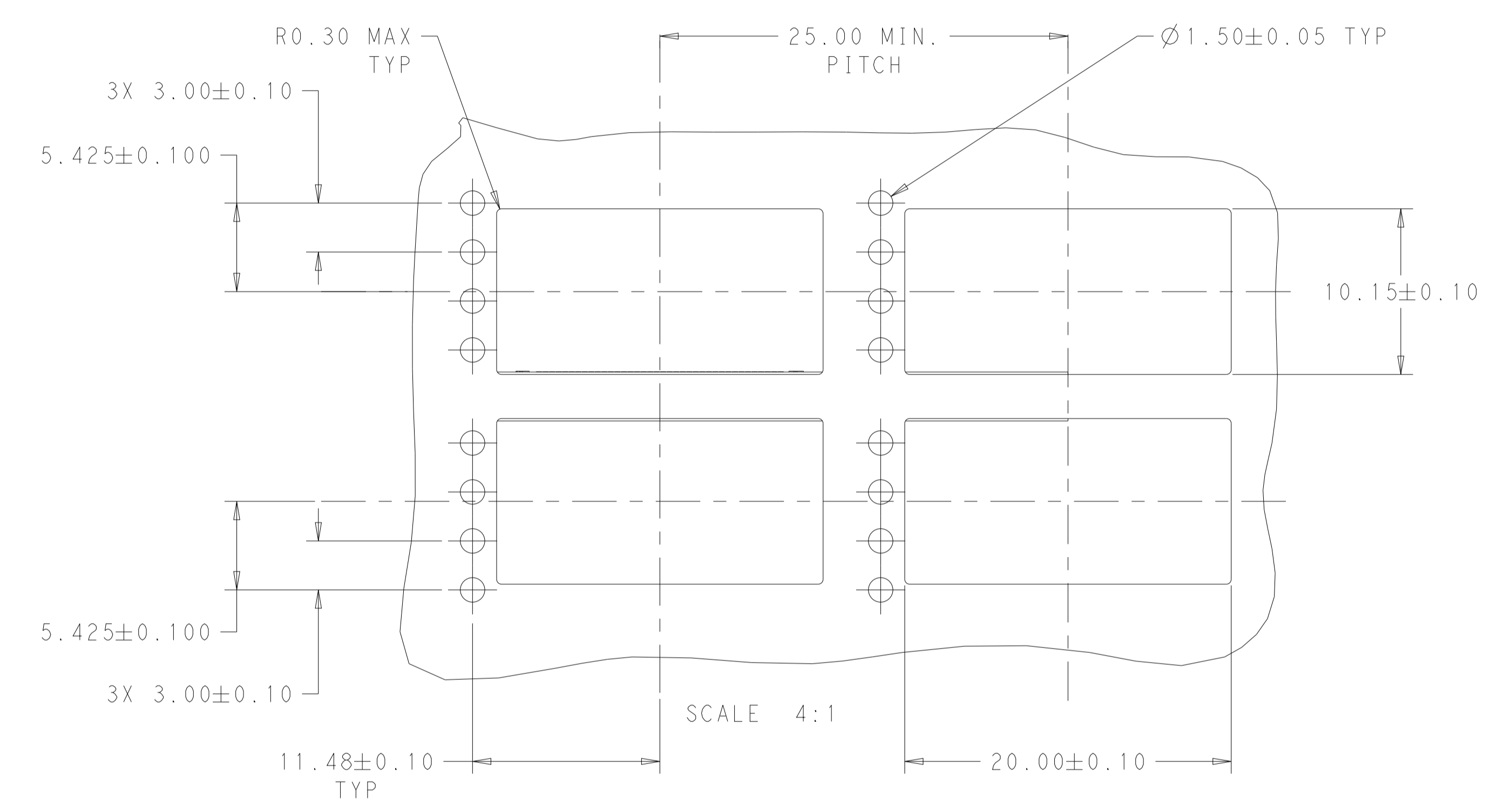
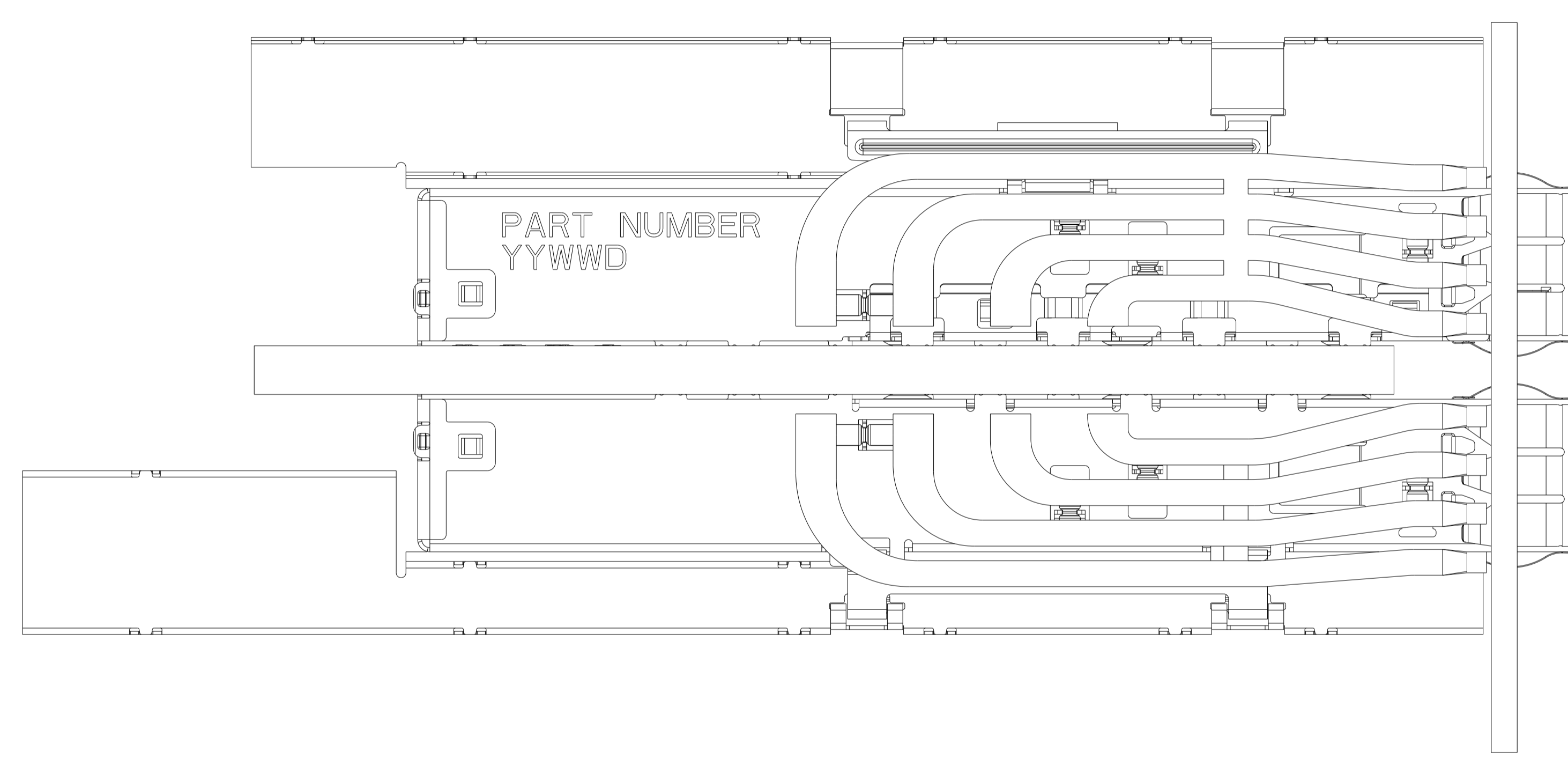


THIS DRAWING IS A CONTROLLED DOCUMENT.		DMN: ARTHUR JLN 24AUG2017	TE Connectivity
DIMENSIONS: mm		CHK: SEAN HAN 24AUG2017	
TOLERANCES UNLESS OTHERWISE SPECIFIED:		APVD: SEAN HAN 24AUG2017	NAME: CAGE ASSEMBLY, QSFP-DD STANDARD WITH EMI SPRING FINGER
0 PLC ±0.25	1 PLC ±0.25	PRODUCT SPEC	APPLICATION SPEC
2 PLC ±0.20	3 PLC ±0.10	WEIGHT	RESTRICTED TO
4 PLC ±	ANGLES FINISH	A1	SCALE 2:1 SHEET 8 OF 12 REV A3
MATERIAL	CUSTOMER DRAWING	CAGE CODE DRAWING NO: C=2324193	



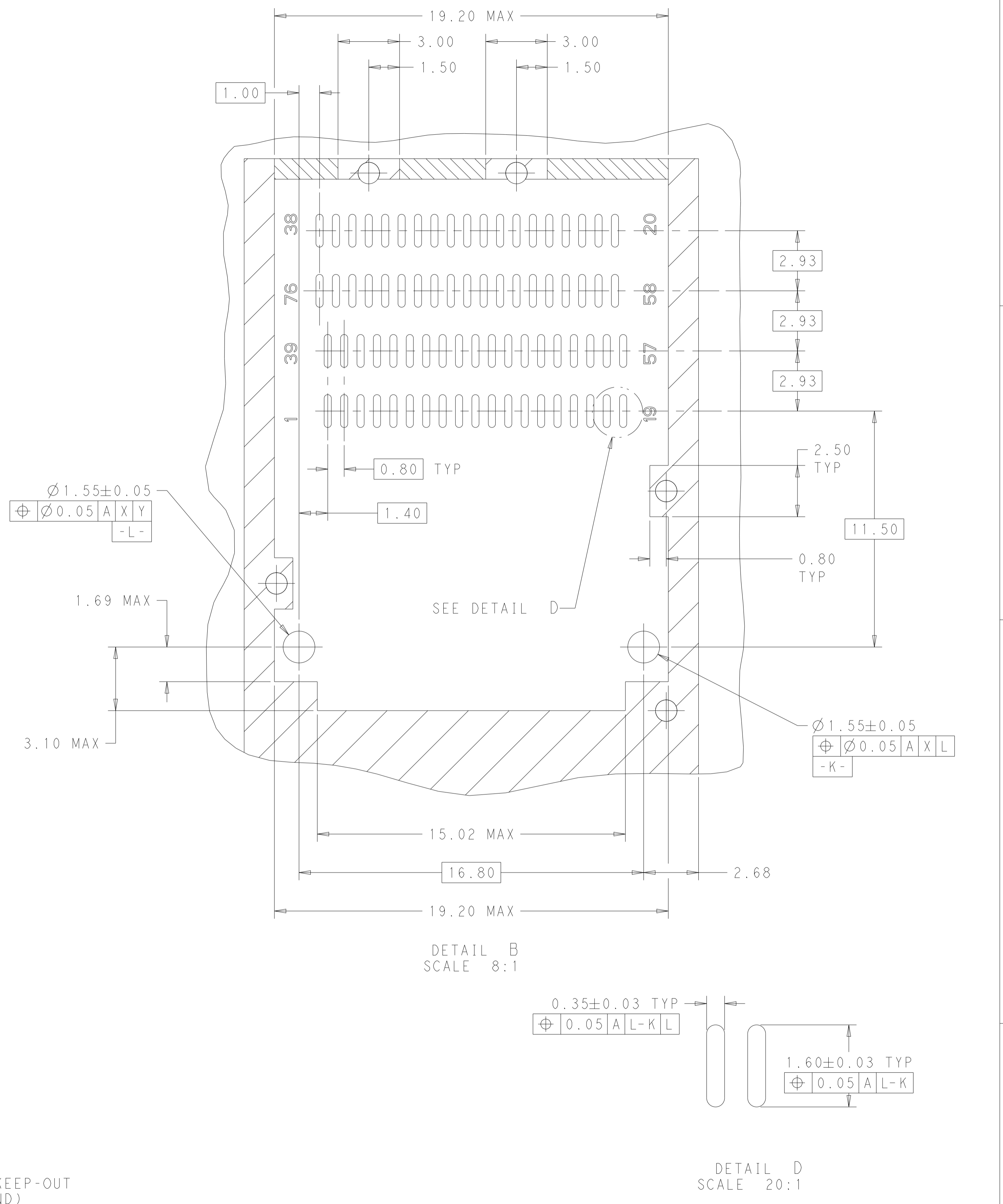
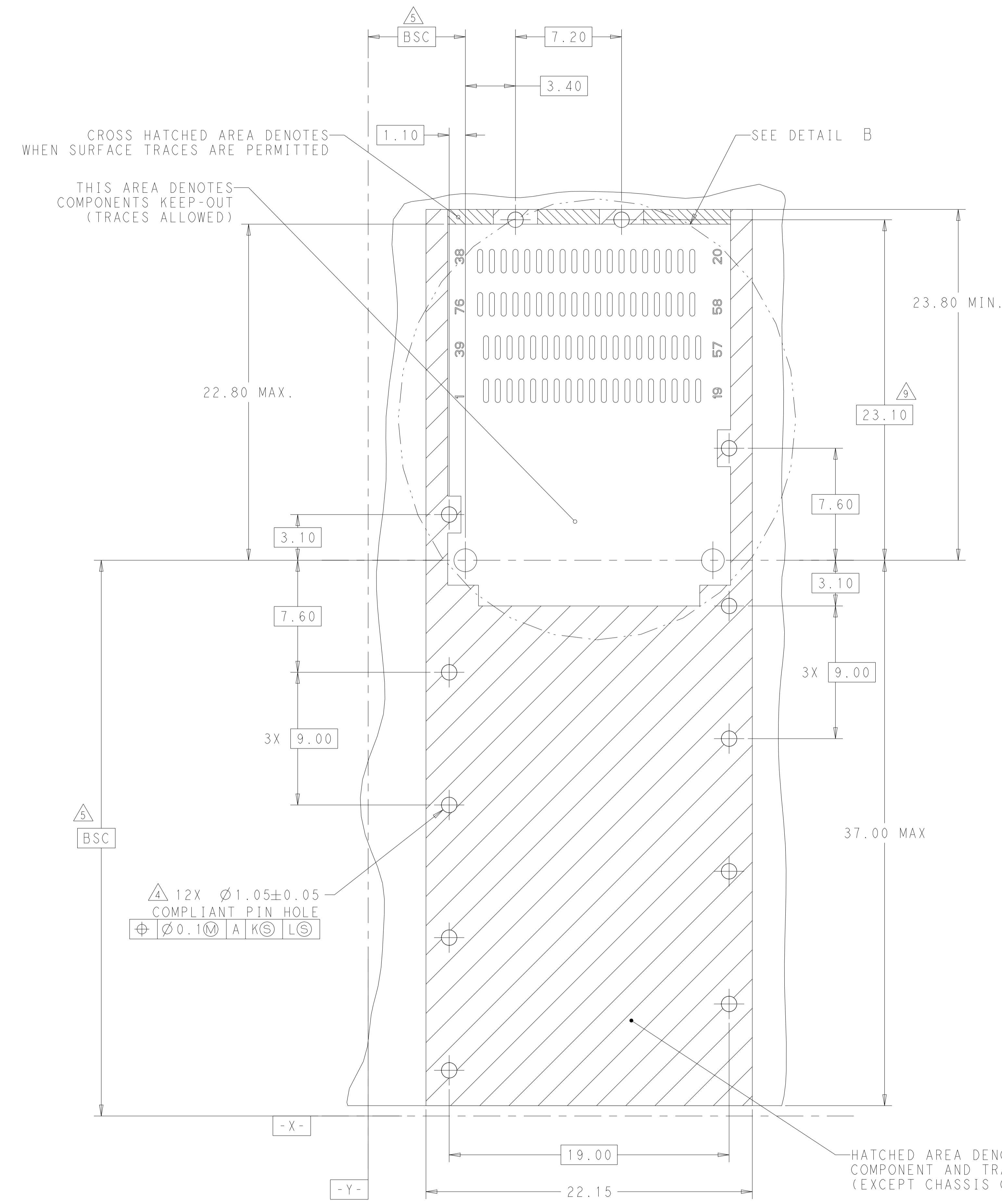
LOC		DIST		REVISIONS			
P	LTN	DESCRIPTION	DATE	DMN	APVD		
-	-	SEE SHEET 1	-	-	-		

SPECIFIED BELLY TO BELLY CONFIGURATION APPLIED FOR 2324193-3/-7/-9/1-1/1-3 AND 2324193-4/-8/1-0/1-2  
 UNSPECIFIED DIMENSION IS THE SAME AS GENERAL CONFIGURATION IN SHEET 8



THIS DRAWING IS A CONTROLLED DOCUMENT.		DMN	ARTHRUR JLN	24AUG2017			
DIMENSIONS:		CHK	SEAN HAN	24AUG2017			
mm		APVD	SEAN HAN	24AUG2017			
0 PLC ±0.25 1 PLC ±0.25 2 PLC ±0.20 3 PLC ±0.10 4 PLC ± ANGLES ± FINISH ±		NAME	CAGE ASSEMBLY, QSFP-DD STANDARD WITH EMI SPRING FINGER				
MATERIAL		WEIGHT	A1	C=2324193	RESTRICTED TO		
CUSTOMER DRAWING		SCALE	2:1	SHEET	9 OF 12	REV	A3

LOC		DIST		REVISIONS				
P	LTN	DATE	DMN	APVD	DESCRIPTION	DATE	DMN	APVD
-	-	-	-	-	SEE SHEET 1	-	-	-



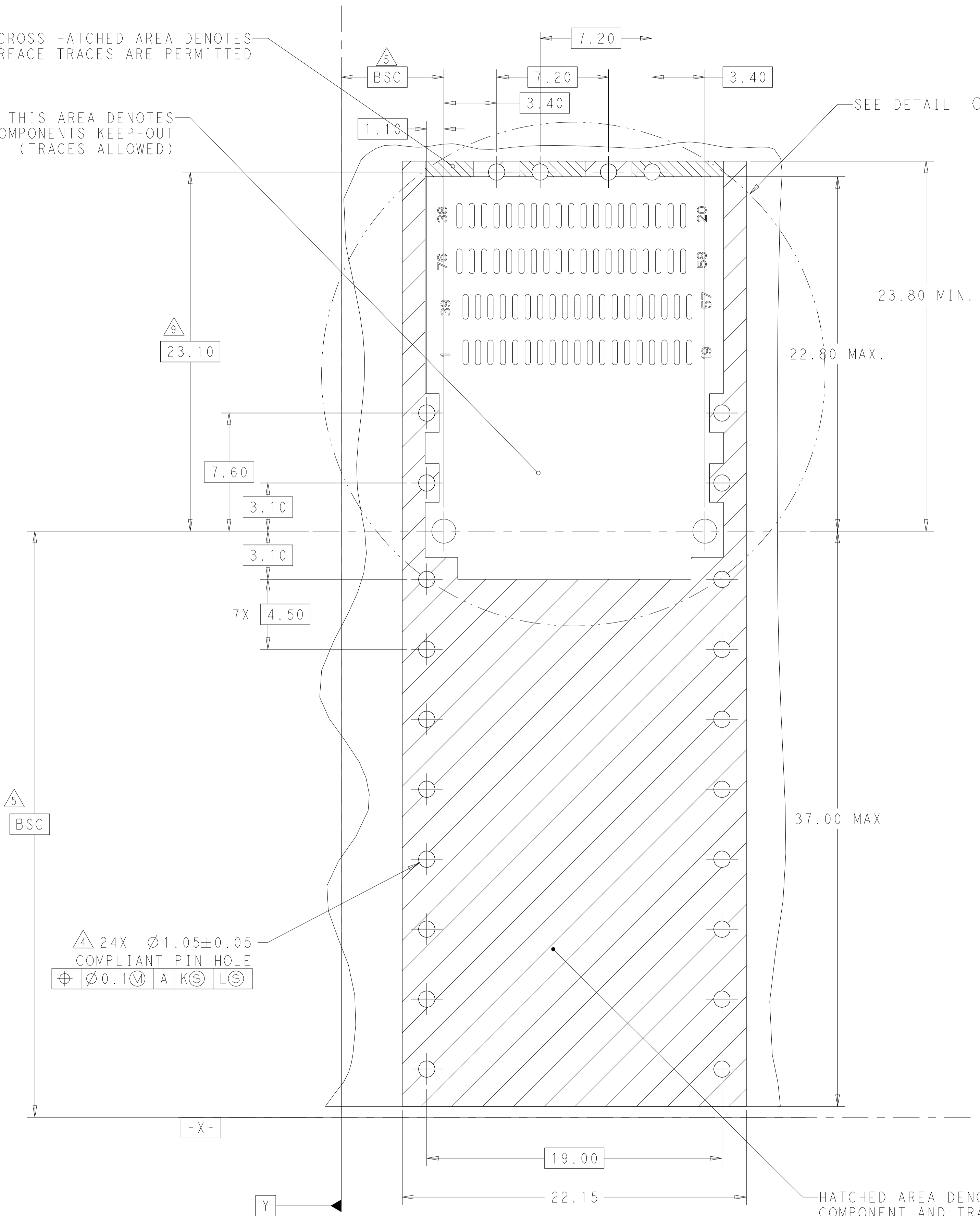
THIS DRAWING IS A CONTROLLED DOCUMENT.		DMN	24AUG2017	TE Connectivity
		CHK	ARTHUR JIN 24AUG2017	
		APVD	SEAN HAN 24AUG2017	NAME CAGE ASSEMBLY, QSFP-DD STANDARD WITH EMI SPRING FINGER
		APVD	SEAN HAN 24AUG2017	
DIMENSIONS:		TOLERANCES UNLESS OTHERWISE SPECIFIED:		SIZE A1
mm		0 PLC ±0.25		
		1 PLC ±0.25		CAGE CODE -
		2 PLC ±0.25		
		3 PLC ±0.20		DRAWING NO C=2324193
		4 PLC ±0.10		
		ANGLES		SHEET 10 OF 12
		FINISH		
MATERIAL		WEIGHT		REV A3
		CUSTOMER DRAWING		SCALE 2:1

LOC		DIST		REVISIONS			
P	LTN	DESCRIPTION	DATE	OWN	APVD		
-	-	SEE SHEET 1	-	-	-		

CROSS HATCHED AREA DENOTES WHEN SURFACE TRACES ARE PERMITTED

THIS AREA DENOTES COMPONENTS KEEP-OUT (TRACES ALLOWED)

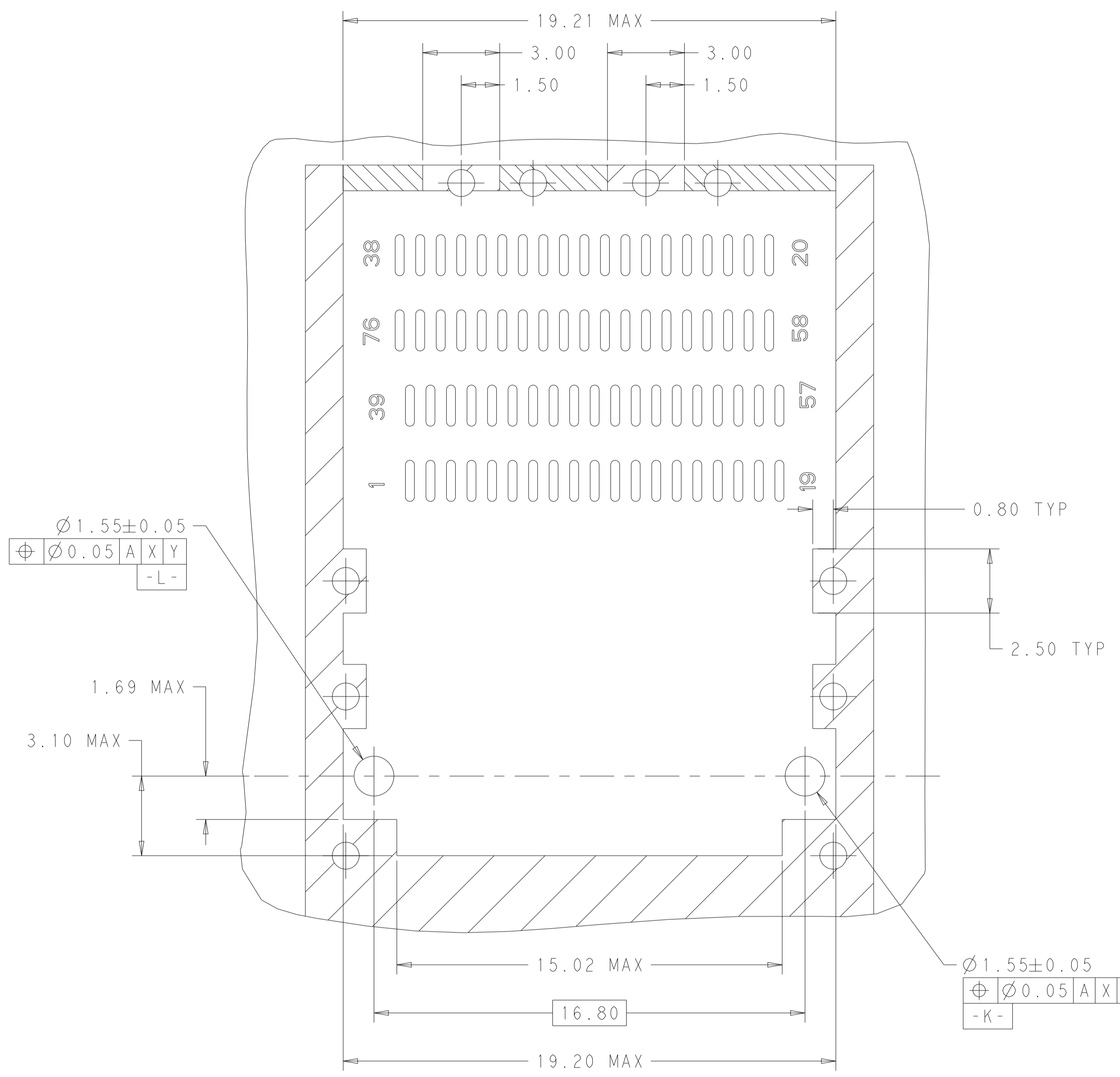
SEE DETAIL C



24X  $\varnothing 1.05 \pm 0.05$  COMPLIANT PIN HOLE  
 $\varnothing 0.1$  A K S L

$\varnothing 1.55 \pm 0.05$   
 $\varnothing 0.05$  A X Y  
 -L-

$\varnothing 1.55 \pm 0.05$   
 $\varnothing 0.05$  A X L  
 -K-



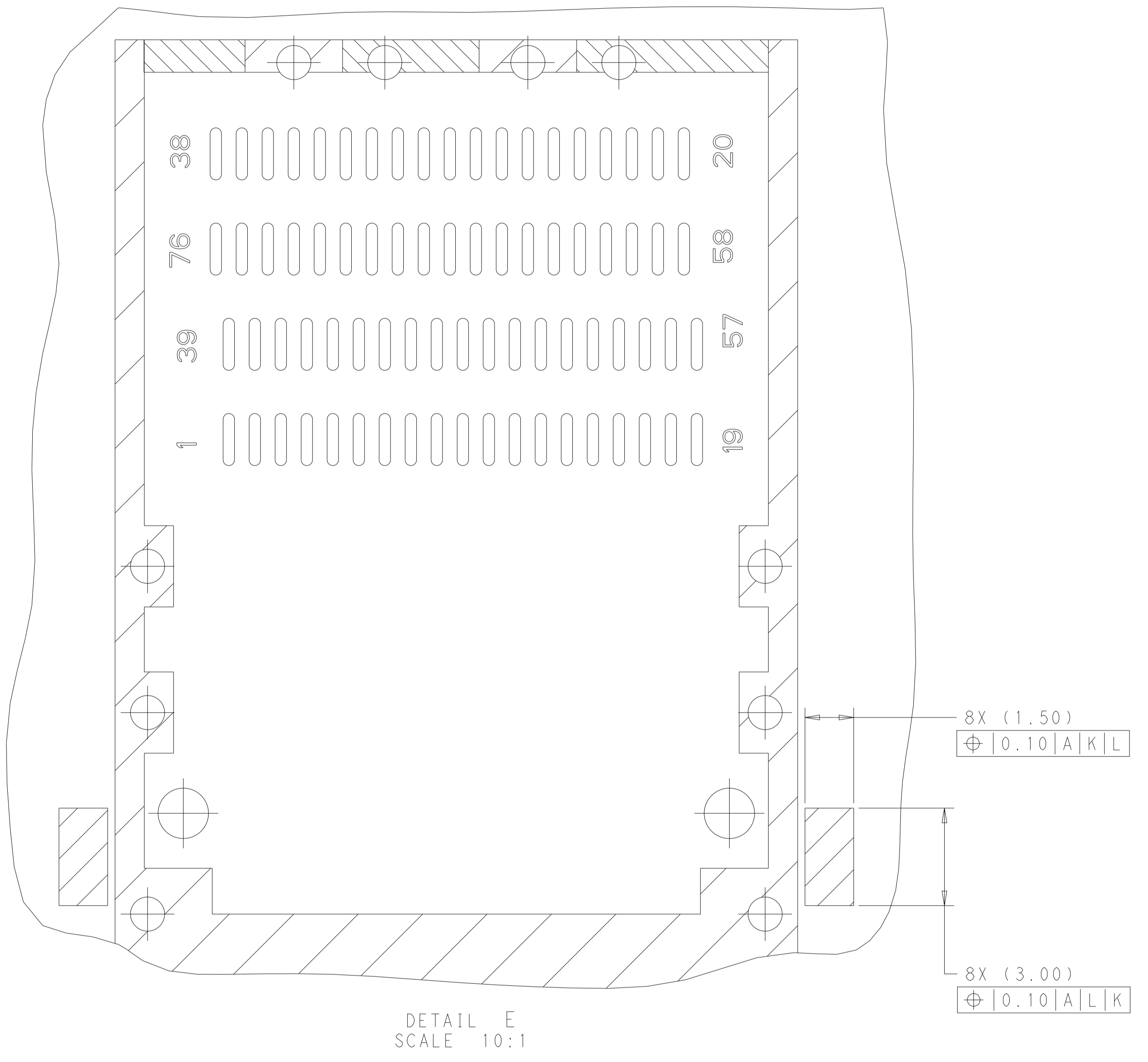
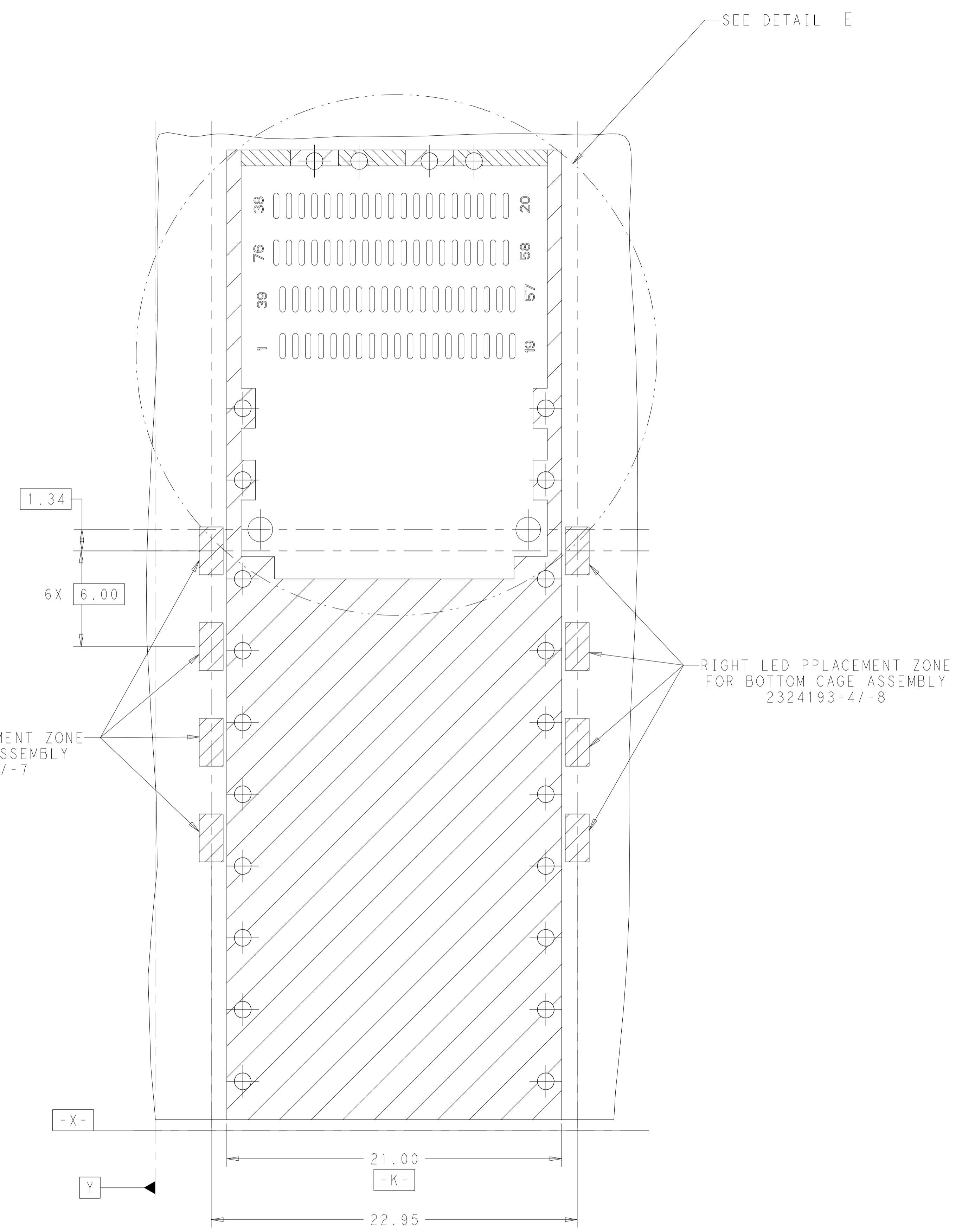
DETAIL C  
SCALE 8:1

HATCHED AREA DENOTES COMPONENT AND TRACE KEEP-OUT (EXCEPT CHASSIS GROUND)

GENERA PCB LAYOUT  
 BELLY TO BELLY TYPE OF 2 REAR HOLES OF LEGS  
 PCB TOLERANCE:  $\pm 0.05$   
 SCALE 6:1

THIS DRAWING IS A CONTROLLED DOCUMENT.		OWN: ARTHUR JIN 24AUG2017	TE Connectivity														
DIMENSIONS: mm		CHK: SEAN HAN 24AUG2017															
TOLERANCES UNLESS OTHERWISE SPECIFIED:		APVD: SEAN HAN 24AUG2017	NAME: CAGE ASSEMBLY, QSPF-DD STANDARD WITH EMI SPRING FINGER														
<table border="1"> <tr><td>0 PLC</td><td><math>\pm 0.25</math></td></tr> <tr><td>1 PLC</td><td><math>\pm 0.25</math></td></tr> <tr><td>2 PLC</td><td><math>\pm 0.20</math></td></tr> <tr><td>3 PLC</td><td><math>\pm 0.20</math></td></tr> <tr><td>4 PLC</td><td><math>\pm 0.10</math></td></tr> <tr><td>ANGLES</td><td><math>\pm</math></td></tr> <tr><td>FINISH</td><td><math>\pm</math></td></tr> </table>		0 PLC	$\pm 0.25$	1 PLC	$\pm 0.25$	2 PLC	$\pm 0.20$	3 PLC	$\pm 0.20$	4 PLC	$\pm 0.10$	ANGLES	$\pm$	FINISH	$\pm$	APPLICATION SPEC:	RESTRICTED TO:
0 PLC	$\pm 0.25$																
1 PLC	$\pm 0.25$																
2 PLC	$\pm 0.20$																
3 PLC	$\pm 0.20$																
4 PLC	$\pm 0.10$																
ANGLES	$\pm$																
FINISH	$\pm$																
MATERIAL:	WEIGHT:	SIZE: A1	CAGE CODE: C=2324193														
CUSTOMER DRAWING		SCALE: 2:1	SHEET 11 OF 12 REV A3														

LOC		DIST		REVISIONS			
P	LTN	DESCRIPTION	DATE	DMN	APVD		
-	-	SEE SHEET 1	-	-	-		



SPECIFIED PCB LAYOUT FOR 2324193-3/-4/-7/-8/-9/1-0  
 BELLY TO BELLY TYPE OF 2 REAR HOLES OF LEGS  
 PCB TOLERANCE: ±0.05  
 UNSPECIFIED DIMENSION SAME TO GENERAL PCB LAYOUT  
 SCALE 6:1

DETAIL E  
 SCALE 10:1

THIS DRAWING IS A CONTROLLED DOCUMENT.		OWN	24AUG2017	TE Connectivity
		CHK	24AUG2017	
DIMENSIONS:		APVD	24AUG2017	NAME CAGE ASSEMBLY, QSFP-DD STANDARD WITH EMI SPRING FINGER
mm		SEAN HAN	24AUG2017	
TOLERANCES UNLESS OTHERWISE SPECIFIED:		PRODUCT SPEC		SIZE CAGE CODE DRAWING NO A1 - C=2324193
0 PLC ±0.25		APPLICATION SPEC		
1 PLC ±0.25		WEIGHT		RESTRICTED TO -
2 PLC ±0.20		CUSTOMER DRAWING		
3 PLC ±0.10		SCALE	2:1	SHEET 12 OF 12 REV A3
4 PLC ±				
ANGLES FINISH				