

THIS DRAWING IS UNPUBLISHED.

RELEASED FOR PUBLICATION

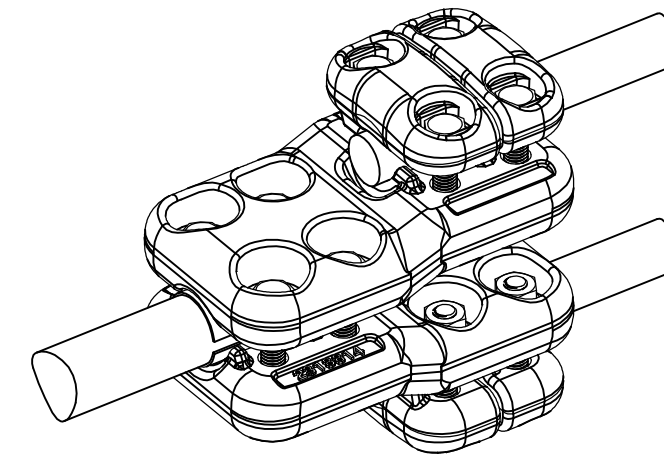
-. - .

REVISIONS

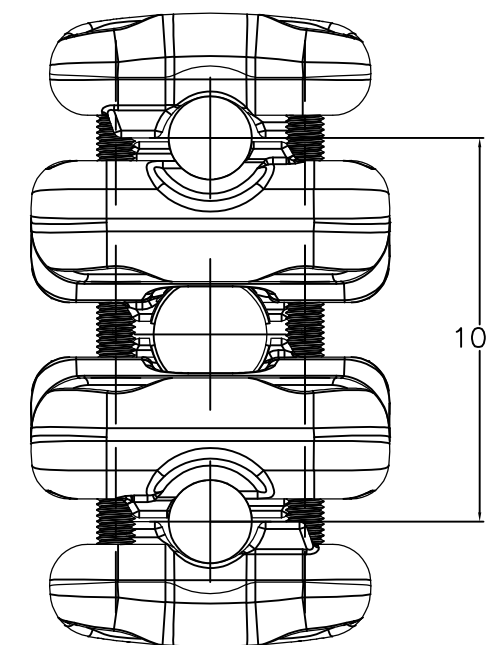
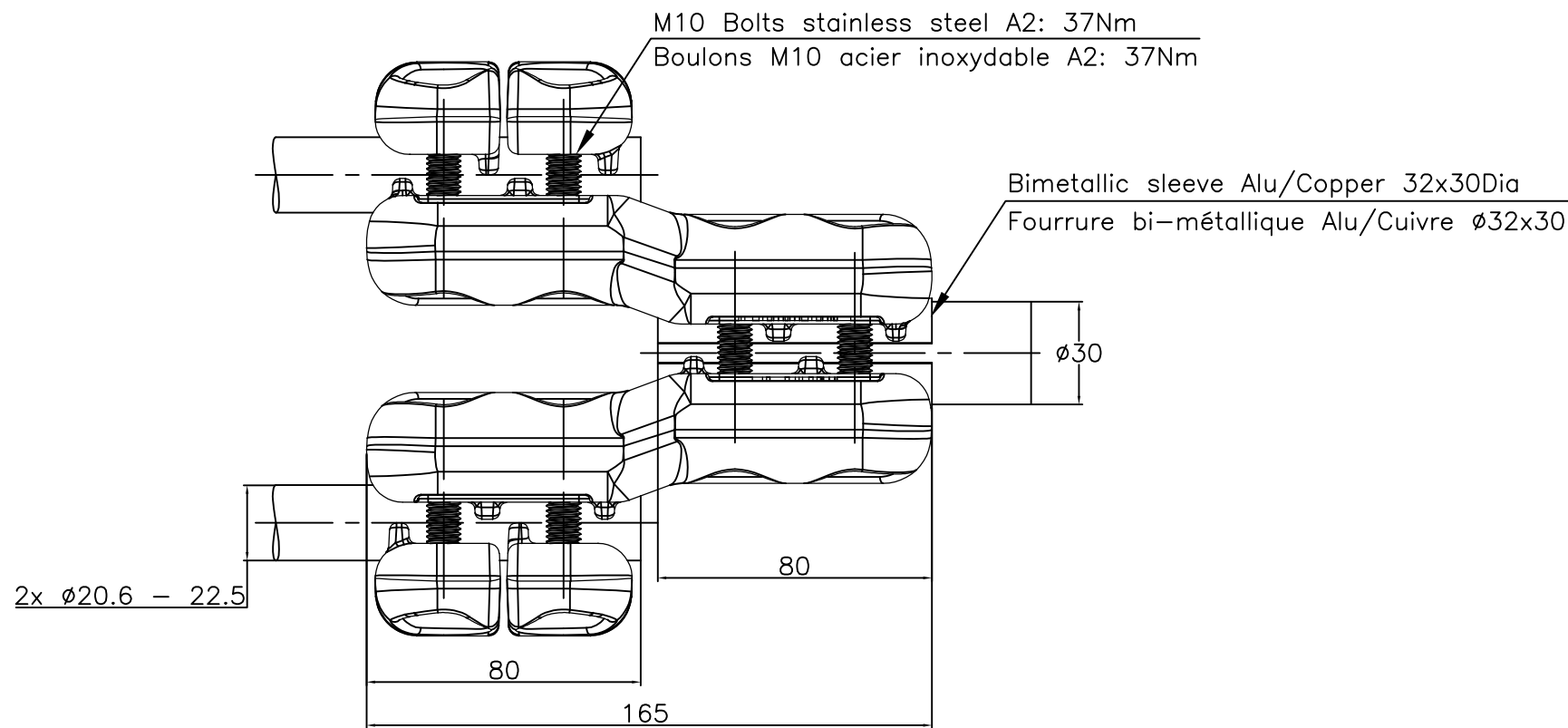
© COPYRIGHT - By -

ALL RIGHTS RESERVED.

P	LTR	DESCRIPTION	DATE	DWN	APVD
	A	CREATION	28-SEP-17	BH	-



No scale  
Sans échelle



ITEM:.....

THIS DRAWING IS A CONTROLLED DOCUMENT.		DWN HUARD	28-Sep-17	<b>STE</b> TE Connectivity	
DIMENSIONS: mm		CHK	-		
TOLERANCES UNLESS OTHERWISE SPECIFIED:		APVD	-	NAME Straight connector twin to copper stud Connecteur droit faisceau double sur borne cuivre	
0 PLC $\pm -$		PRODUCT SPEC	108-69096-001	5 CJ 82 F S225 E100 SK305	
1 PLC $\pm -$		APPLICATION SPEC	-	SIZE	A3
2 PLC $\pm -$				CAGE CODE	00779
3 PLC $\pm -$				DRAWING NO	C=2324119
4 PLC $\pm -$				RESTRICTED TO	-
ANGLES $\pm -$					
MATERIAL		APPROX.WEIGHT	2.8 kg	SCALE	1:2
FINISH		CUSTOMER DRAWING		SHEET	1 OF 1
				REV	A