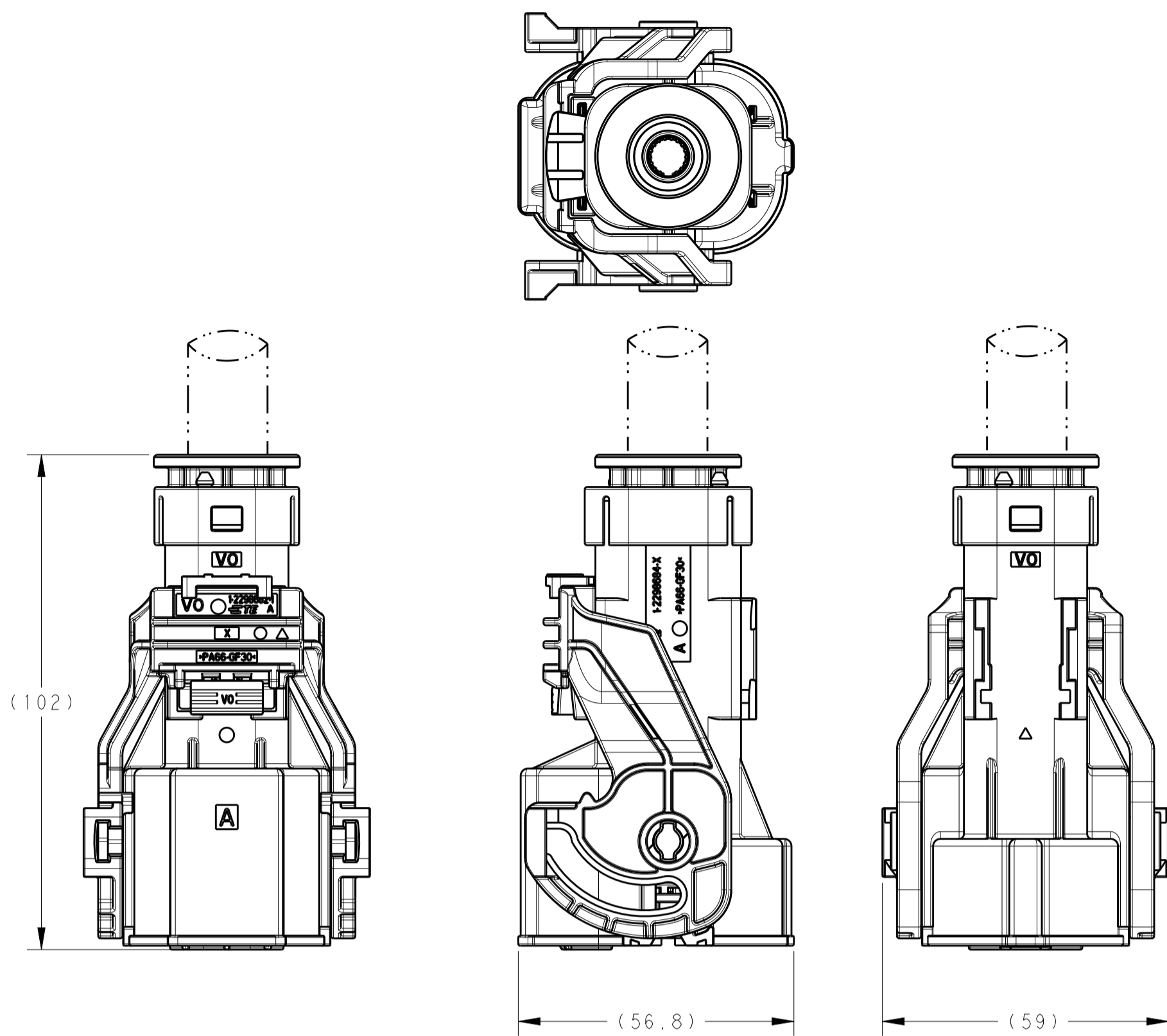
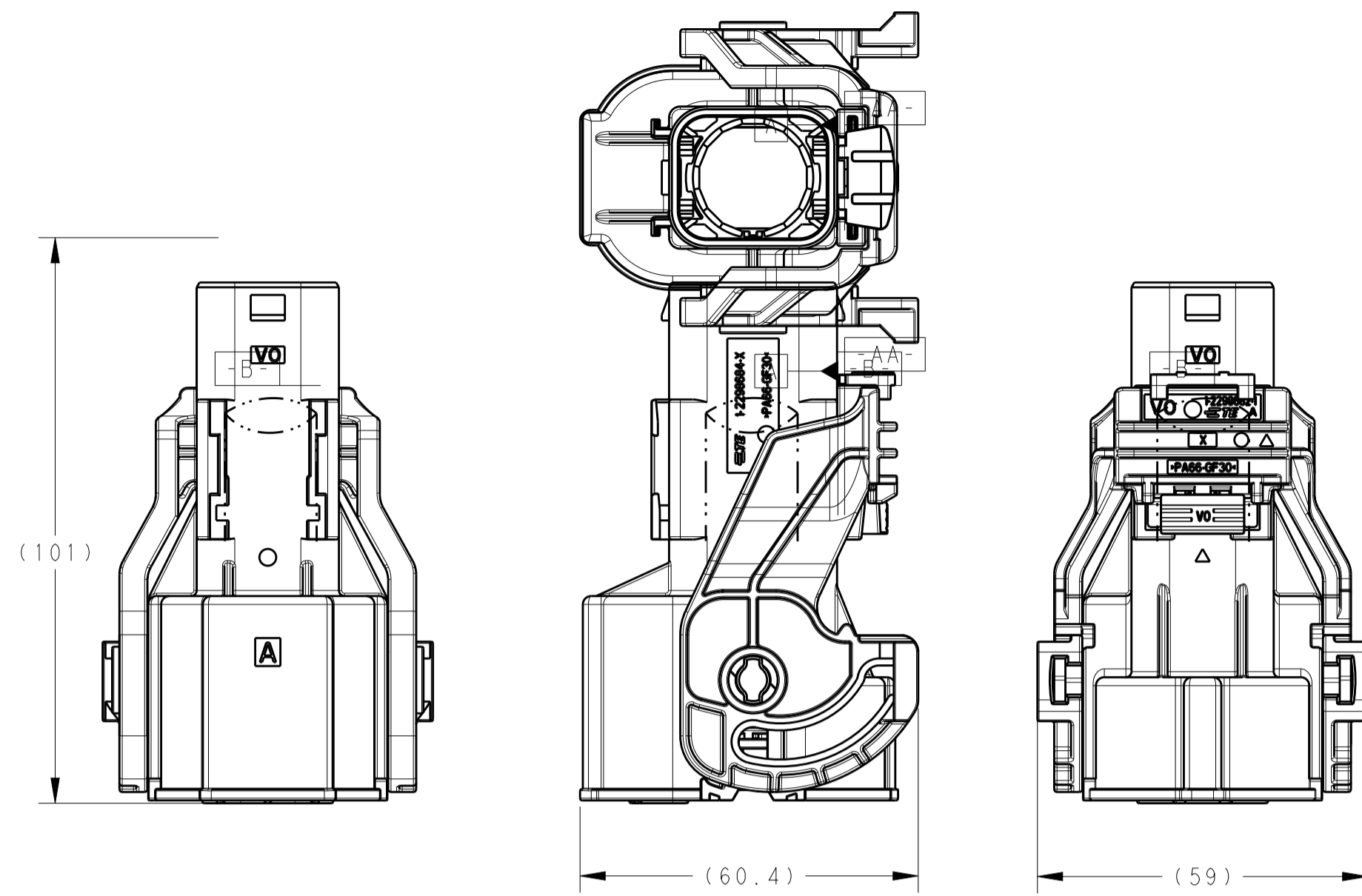


LEVER OPERATION SIDE ○ (NORMAL TYPE)



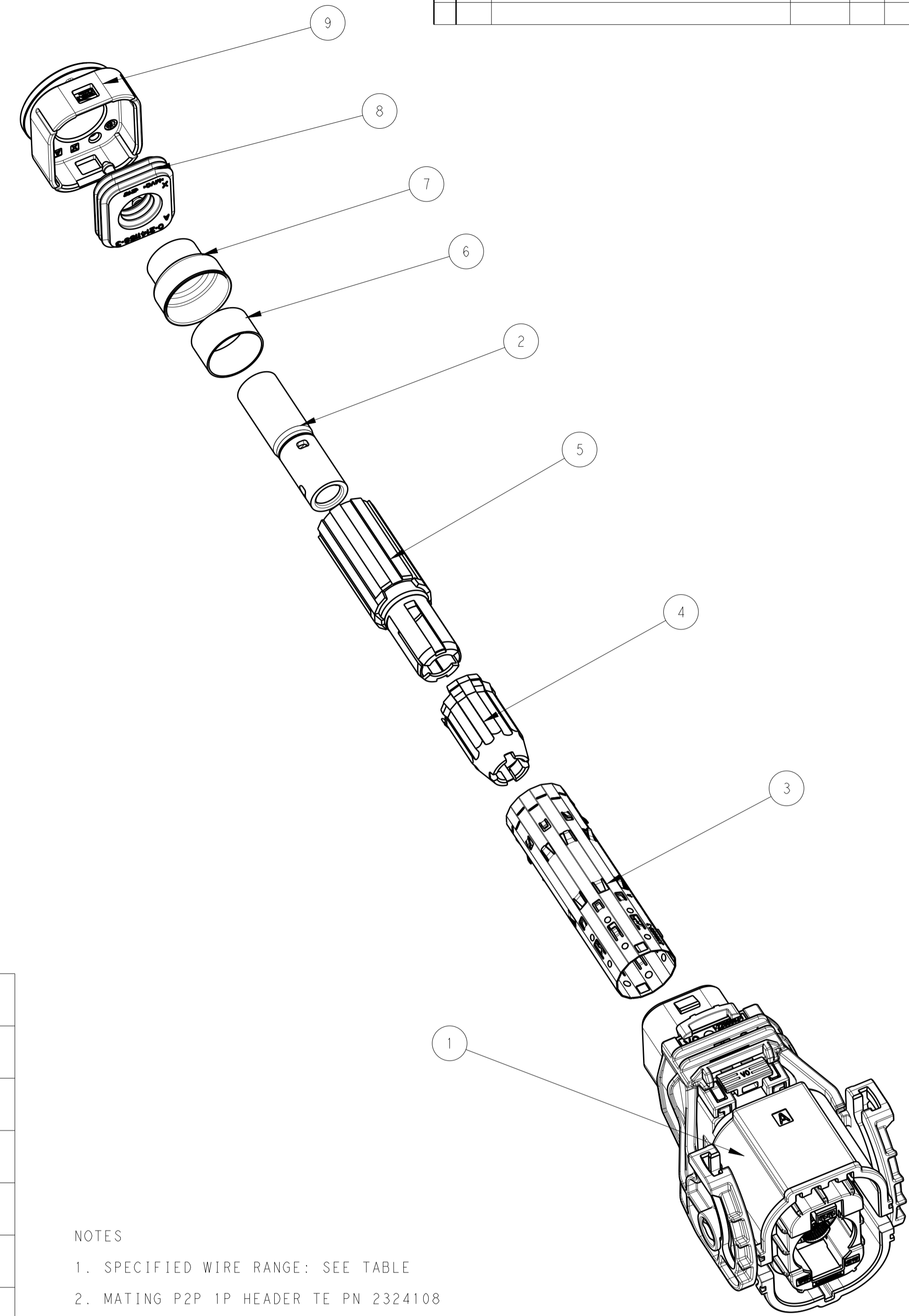
-1 AS SHOWN(AFTER ASSEMBLED)

LEVER OPERATION SIDE △ (REVERSE TYPE)



1- -1 AS SHOWN(AFTER ASSEMBLED)

REVISIONS				
P.	LTN	DESCRIPTION	DATE	APVD
A		RELEASED	18SEP17	JL



NOTES

- SPECIFIED WIRE RANGE: SEE TABLE
- MATING P2P 1P HEADER TE PN 2324108
- LOOSE PIECE COMPONENTS PACKAGE TOGETHER IN CARTON BOX
- ALL PLASTIC PARTS USE V0 FIRE RETARDANT MATERIAL
- △ APPLICATION TEMPERATURE -40°C-125°C

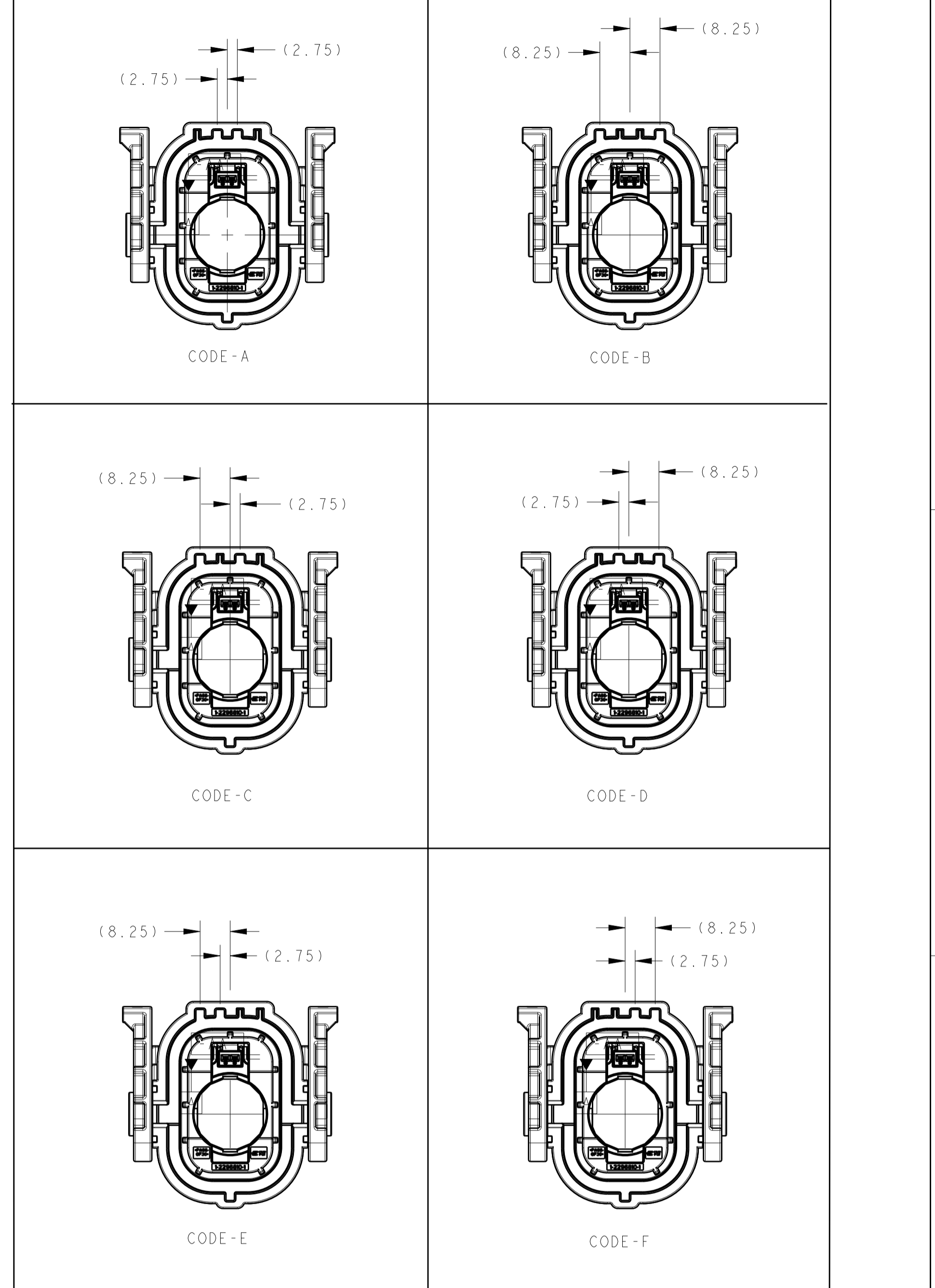
VERSION	CABLE DIMENSION 50MM 2												MASS (g)	TE PART-NO.	CODE	QTY	PART DESCRIPTION	MATERIAL	COLOUR	ITEM
	CODE A	CODE B	CODE C	CODE D	CODE E	CODE F	CODE A	CODE B	CODE C	CODE D	CODE E	CODE F								
-1	1	1	1	1	1	1	1	1	1	1	1	1	(6.8)	2303018-1	-	1	PROTECTION COVER	PA66-GF ULV0	ORANGE	9
-1	1	1	1	1	1	1	1	1	1	1	1	1	(3)	2141156-1	-	1	SINGLE WIRE SEAL	MVQ	GREEN	8
-1	1	1	1	1	1	1	1	1	1	1	1	1	(4)	2177090-1	-	1	SHIELD. CRIMP SLEEVE	STAINLESS STEEL	BLANK	7
-1	1	1	1	1	1	1	1	1	1	1	1	1	(2)	2307013-1	-	1	SHIELD CRIMP FERRULE, INNER	STAINLESS STEEL	BLANK	6
-1	1	1	1	1	1	1	1	1	1	1	1	1	(4.9)	2302636-1	-	1	INSULATION INSERT 180°	PA66-GF ULV0	GRAY	5
-1	1	1	1	1	1	1	1	1	1	1	1	1	(1.7)	2302639-1	-	1	FINGER PROTECTION CAP 8MM HV,180°	PA66-GF ULV0	ORANGE	4
-1	1	1	1	1	1	1	1	1	1	1	1	1	(9.3)	2319655-3	-	1	SHIELDING SLEEVE,180°	CU - ALLOY	TIN-PLATED	3
-1	1	1	1	1	1	1	1	1	1	1	1	1	(22.6)	2177592-1	-	1	8MM CONTACT	SEE C-2177592	SILVER-PLATED	2
-	-	-	-	-	1	-	-	-	-	-	-	-	(84.5)	2299123-6	F	1	P2P 1P PLUG HSG 180DEG ASSY	SEE C-2299123	C-2299123	1
-	-	-	-	1	-	-	-	-	-	-	-	2299123-5		E						
-	-	-	1	-	-	-	-	-	-	-	-	2299123-4		D						
-	-	1	-	-	-	-	-	-	-	-	-	2299123-3		C						
-	1	-	-	-	-	-	-	-	-	-	-	2299123-2		B						
-	-	-	-	-	-	-	-	-	-	-	-	2299123-1		A						
-	-	-	-	-	-	-	-	-	-	-	1	1-2299123-6		F						
-	-	-	-	-	-	-	-	-	-	1	-	1-2299123-5		E						
-	-	-	-	-	-	-	-	-	-	1	-	1-2299123-4		D						
-	-	-	-	-	-	-	-	1	-	-	-	1-2299123-3		C						
-	-	-	-	-	-	-	-	1	-	-	-	1-2299123-2	B							
-	-	-	-	-	-	1	-	-	-	-	-	1-2299123-1	A							

THIS DRAWING IS A CONTROLLED DOCUMENT.		OWN: J.LI	21AUG2017		TE Connectivity	
DIMENSIONS: mm		CHK: E. JIANG	28AUG2017		NAME: P2P 1P PLUG 180DEG ASSY	
TOLERANCES UNLESS OTHERWISE SPECIFIED:		APVD: J. YIN	18SEP2017	SIZE: A1		
0.5	±0.5	PRODUCT SPEC: 108-101481		SCALE: 1:1		
1.0	±0.1	APPLICATION SPEC: 114-101063		SHEET 1 OF 2		
2.0	±0.05	WEIGHT: -		REV: A		
3.0	±0.02	CUSTOMER DRAWING		DRAWING NO: C=2324086		

VERSION	CODE A	CODE B	CODE C	CODE D	CODE E	CODE F	CODE A	CODE B	CODE C	CODE D	CODE E	CODE F	MASS (g)	TE PART-NO.	CODE	QTY	PART DESCRIPTION	MATERIAL	COLOUR	ITEM	
	○	○	○	○	○	○	△	△	△	△	△	△									
	2--1	2--2	2--3	2--4	2--5	2--6	3--1	3--2	3--3	3--4	3--5	3--6									
LEVER OPERATION SIDE (NORMAL TYPE) ○○						LEVER OPERATION SIDE (REVERSE TYPE) △△															

VERSION	CODE A	CODE B	CODE C	CODE D	CODE E	CODE F	CODE A	CODE B	CODE C	CODE D	CODE E	CODE F	MASS (g)	TE PART-NO.	CODE	QTY	PART DESCRIPTION	MATERIAL	COLOUR	ITEM	
	○	○	○	○	○	○	△	△	△	△	△	△									
	4--1	4--2	4--3	4--4	4--5	4--6	5--1	5--2	5--3	5--4	5--5	5--6									
LEVER OPERATION SIDE (NORMAL TYPE) ○○						LEVER OPERATION SIDE (REVERSE TYPE) △△															

REVISIONS				
P.	LTN	DESCRIPTION	DATE	APPV
		SEE SHEET 1		



THIS DRAWING IS A CONTROLLED DOCUMENT.		DWN: J.LI 21AUG2017 CHK: E.JIANG 28AUG2017 APPV: Y.YIN 18SEP2017	TE Connectivity
DIMENSIONS: mm	TOLERANCES UNLESS OTHERWISE SPECIFIED: 2 PLG ±0.5 3 PLG ±0.1 4 PLG ±0.05 5 PLG ±0.001	PRODUCT SPEC: 108-101481 APPLICATION SPEC: 114-101063	
CUSTOMER DRAWING		SCALE: 1:1	SHEET: 2 OF 2 REV: A