

THIS DRAWING IS UNPUBLISHED.

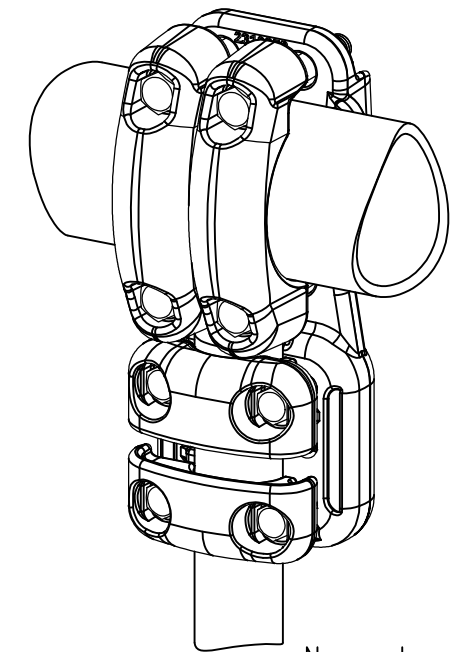
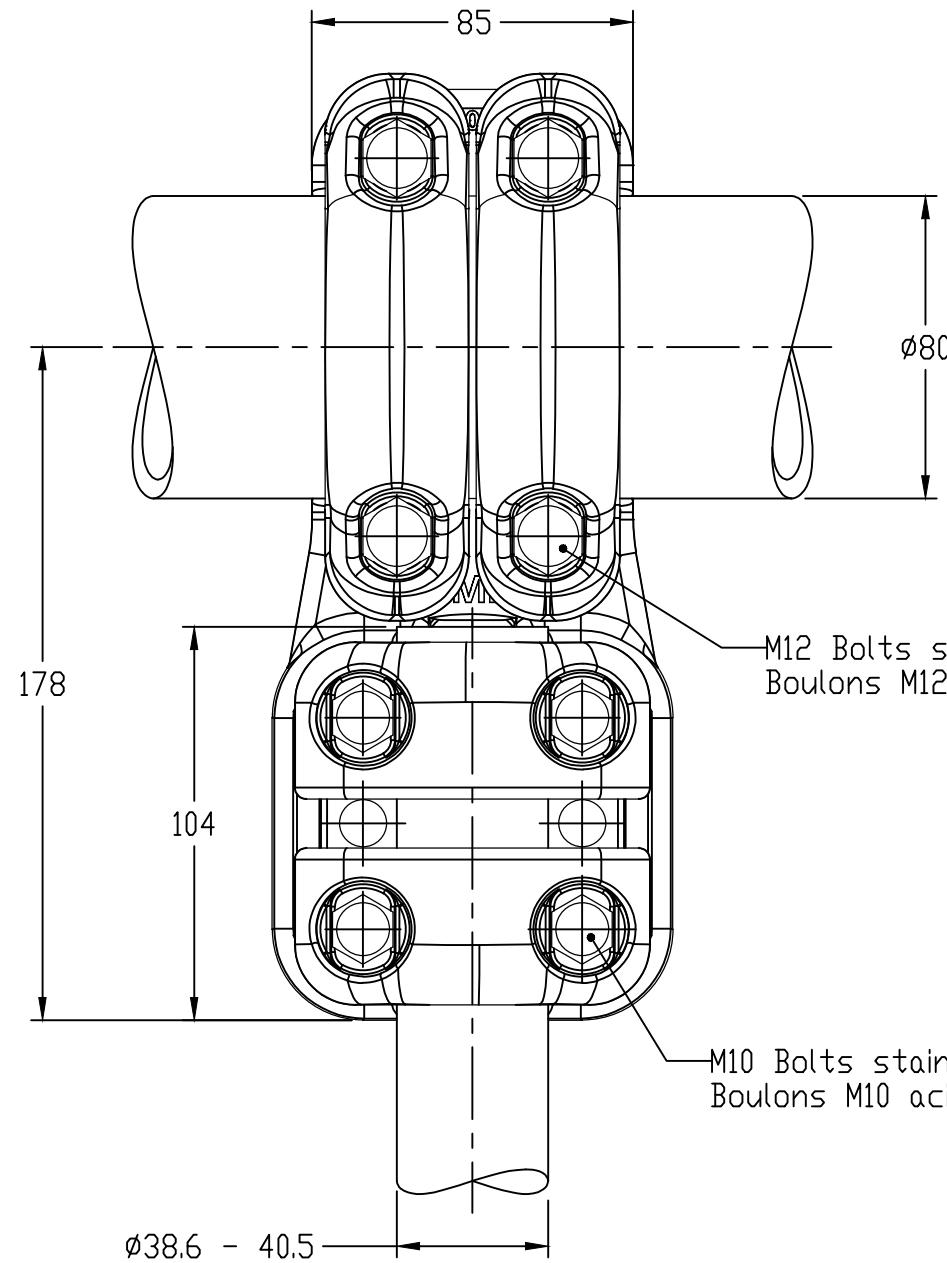
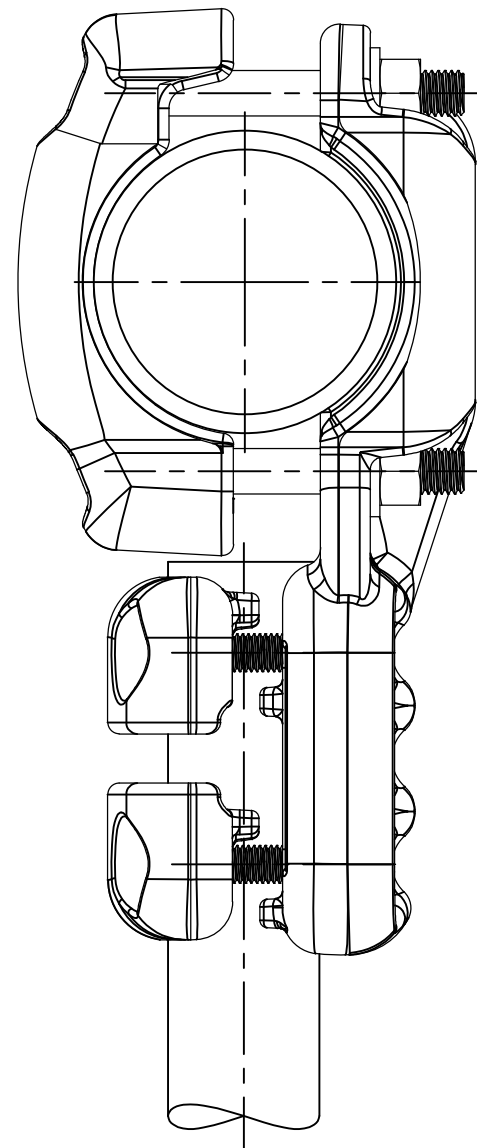
RELEASED FOR PUBLICATION

REVISIONS

© COPYRIGHT - TE Connectivity

ALL RIGHTS RESERVED.

P	LTR	DESCRIPTION	DATE	DWN	APVD
	A	CREATION	10-AUG-17	BH	-



No scale - sans echelle

M12 Bolts stainless steel A2: 60Nm
Boulons M12 acier inoxydable A2: 60Nm

M10 Bolts stainless steel A2: 37Nm
Boulons M10 acier inoxydable A2: 37Nm

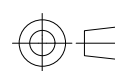
THIS DRAWING IS A CONTROLLED DOCUMENT.

DWN HUARD 10AUG2017



DIMENSIONS:

mm



TOLERANCES UNLESS OTHERWISE SPECIFIED:

- 0 PLC ± -
- 1 PLC ± -
- 2 PLC ± -
- 3 PLC ± -
- 4 PLC ± -
- ANGLES ± -
- FINISH -

MATERIAL

-

CHK -

APVD -

PRODUCT SPEC

108-69090-00

APPLICATION SPEC

-

WEIGHT

2.7 kg

CUSTOMER DRAWING

NAME

Tube derivation to single

Derivation tube cable

5 MT 82 T80 M405

SIZE

A3

CAGE CODE

00779

DRAWING NO

C-2323917

RESTRICTED TO

-

SCALE 1:2

SHEET 1 OF 1

REV A