

THIS DRAWING IS UNPUBLISHED.

RELEASED FOR PUBLICATION

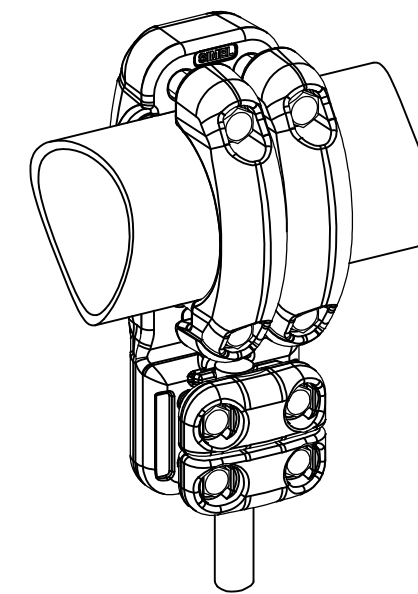
- . - .

REVISIONS

© COPYRIGHT - By -

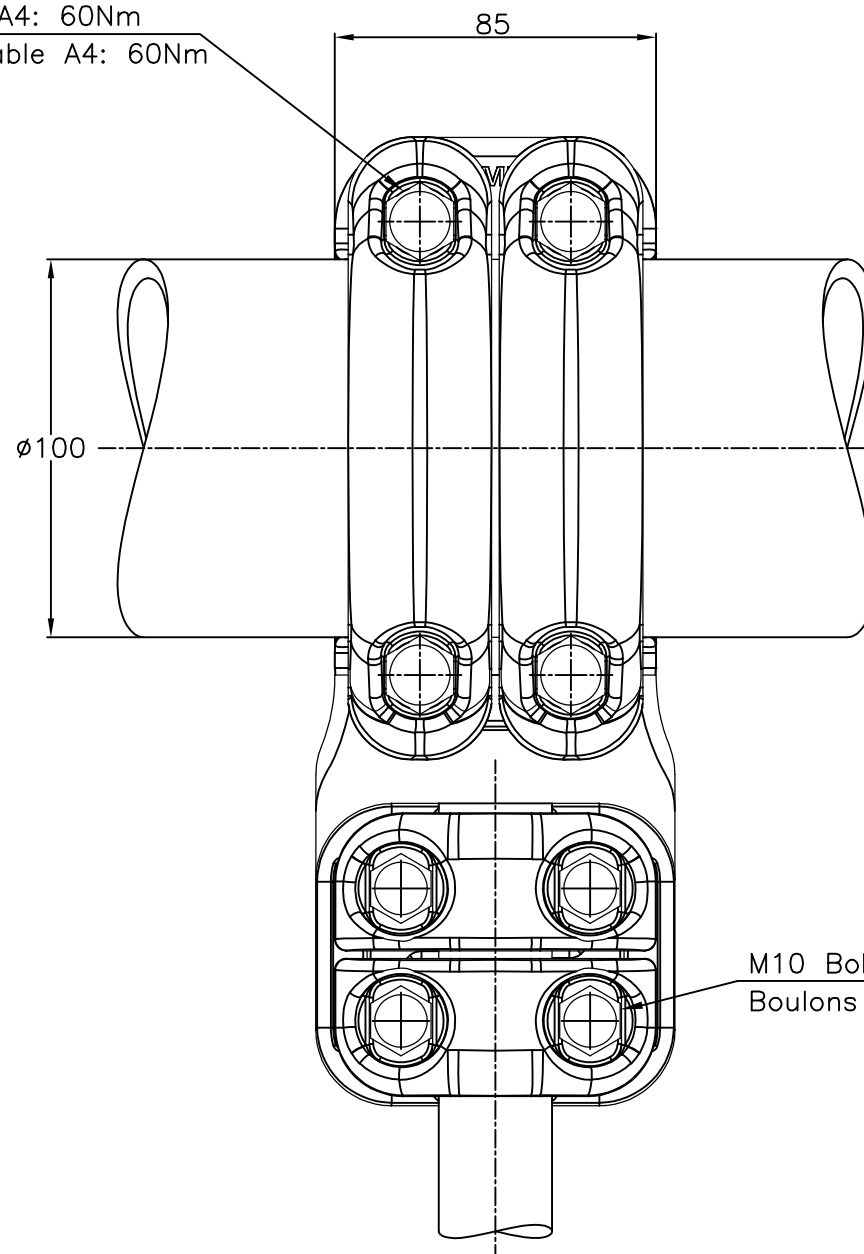
ALL RIGHTS RESERVED.

P	LTR	DESCRIPTION	DATE	DWN	APVD
	A	CREATION	09-OCT-17	BH	-

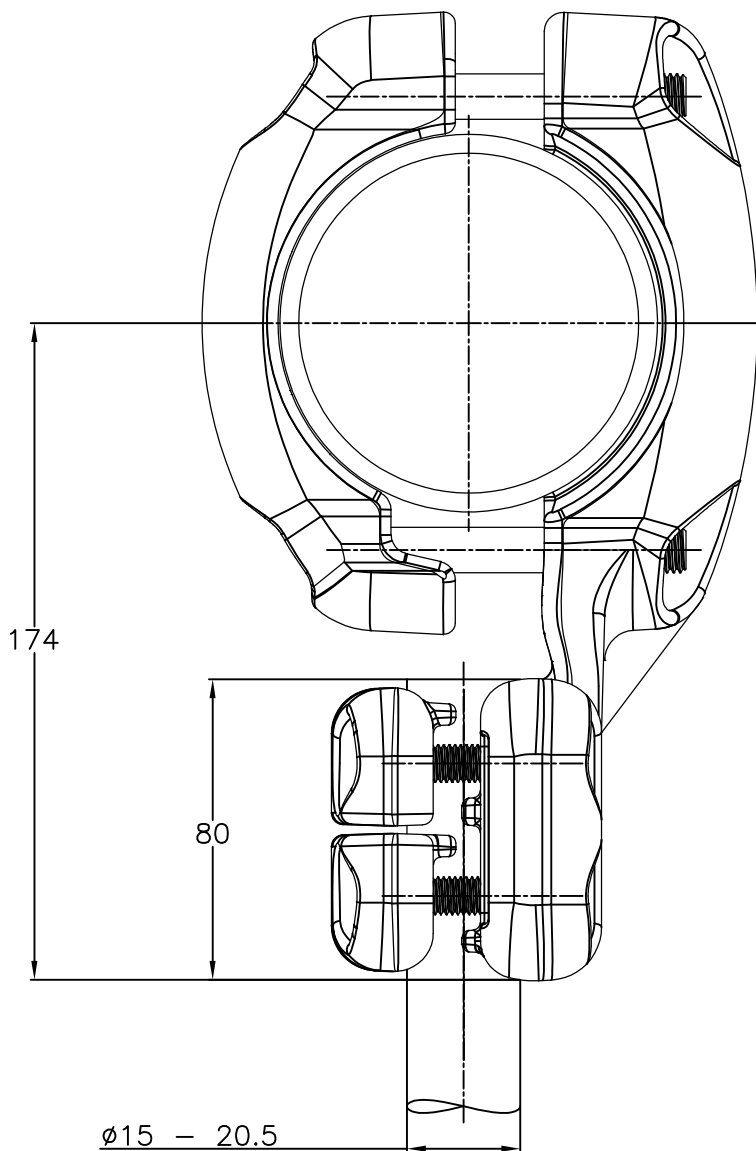


No scale
Sans échelle

M12 Bolts stainless steel A4: 60Nm
 Boulons M12 acier inoxydable A4: 60Nm



M10 Bolts stainless steel A4: 37Nm
 Boulons M10 acier inoxydable A4: 37Nm



THIS DRAWING IS A CONTROLLED DOCUMENT.		DWN	HUARD	09-Oct-17	TE Connectivity											
DIMENSIONS: mm		CHK	-	-												
TOLERANCES UNLESS OTHERWISE SPECIFIED:		APVD	-	NAME												
<table border="0"> <tr><td>0 PLC</td><td>± -</td></tr> <tr><td>1 PLC</td><td>± -</td></tr> <tr><td>2 PLC</td><td>± -</td></tr> <tr><td>3 PLC</td><td>± -</td></tr> <tr><td>4 PLC</td><td>± -</td></tr> <tr><td>ANGLES</td><td>± -</td></tr> </table>		0 PLC	± -	1 PLC			± -	2 PLC	± -	3 PLC	± -	4 PLC	± -	ANGLES	± -	PRODUCT SPEC
0 PLC	± -															
1 PLC	± -															
2 PLC	± -															
3 PLC	± -															
4 PLC	± -															
ANGLES	± -															
MATERIAL	FINISH	APPROX.WEIGHT	2.5 kg	SIZE	A3	CAGE CODE	00779	DRAWING NO	C=2323818	RESTRICTED TO	-					
ITEM:.....		CUSTOMER DRAWING		SCALE	1:2	SHEET	1 OF 1	REV	A							