

THIS DRAWING IS UNPUBLISHED.

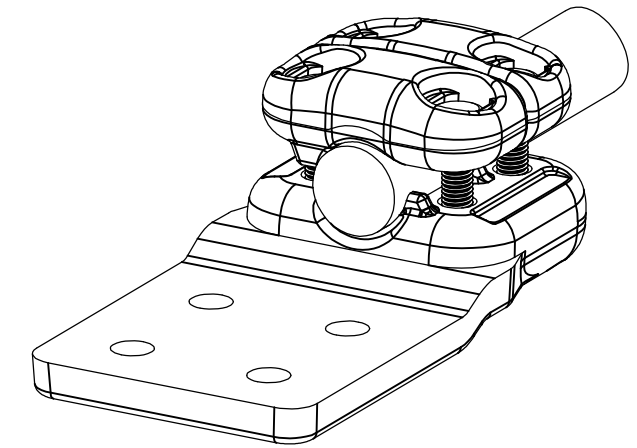
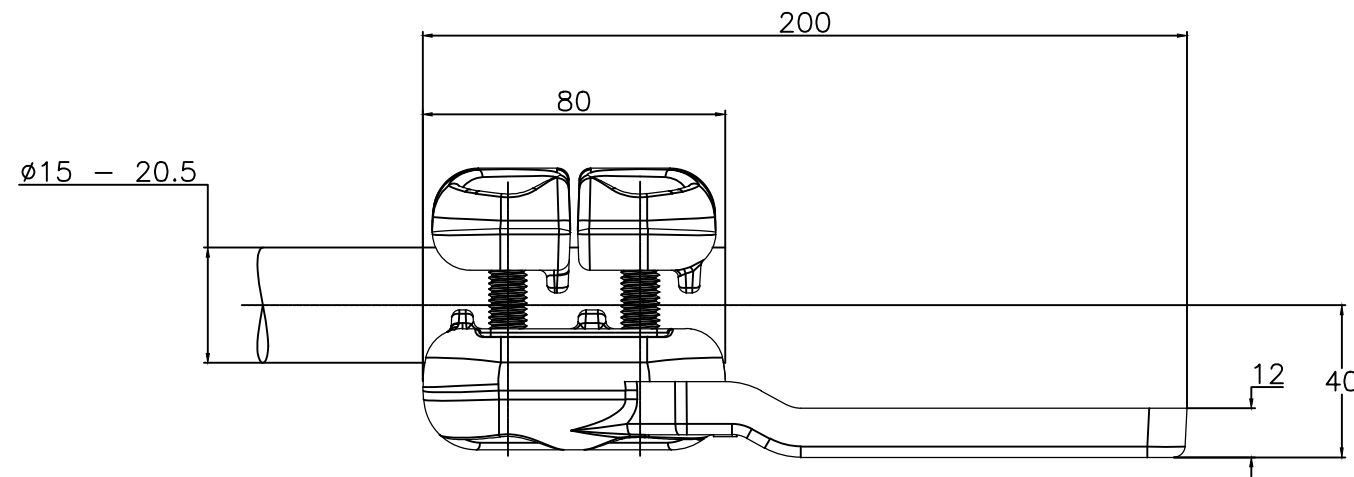
RELEASED FOR PUBLICATION

ALL RIGHTS RESERVED.

© COPYRIGHT - By -

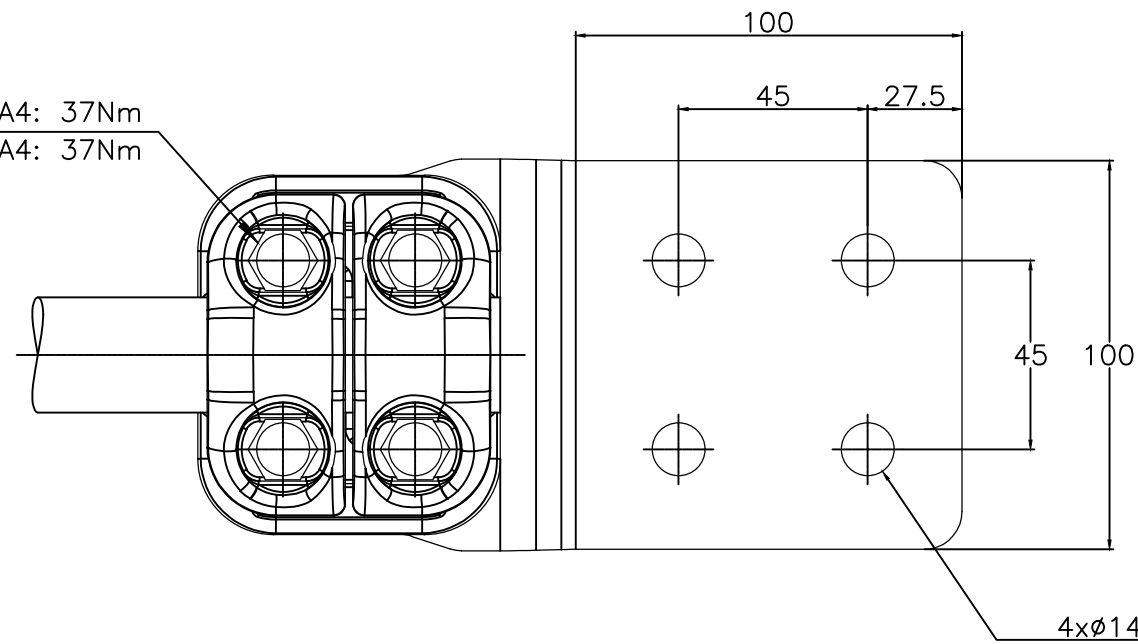
REVISIONS

P	LTR	DESCRIPTION	DATE	DWN	APVD
	A	CREATION	03-MAY-18	MT	-



No scale - sans echelle

M10 Bolts stainless steel A4: 37Nm
 Boulons M10 acier inoxydable A4: 37Nm



ITEM:.....

THIS DRAWING IS A CONTROLLED DOCUMENT.

DWN TALPIN 03-MAY-18

CHK -

APVD -

PRODUCT SPEC

108-69096-001

APPLICATION SPEC

APPROX. WEIGHT 1.5 kg

CUSTOMER DRAWING



NAME Pad connector for cable

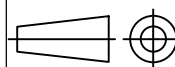
Raccord a plaque pour cable

5 PD 84 S205 100 C241

SIZE A3 CAGE CODE - DRAWING NO C=2323816 RESTRICTED TO -

SCALE 1/2 SHEET 1 OF 1 REV A

DIMENSIONS: mm



TOLERANCES UNLESS OTHERWISE SPECIFIED:

- 0 PLC ± -
- 1 PLC ± -
- 2 PLC ± -
- 3 PLC ± -
- 4 PLC ± -
- ANGLES ± -
- FINISH -