

4

3

2

1

THIS DRAWING IS UNPUBLISHED.

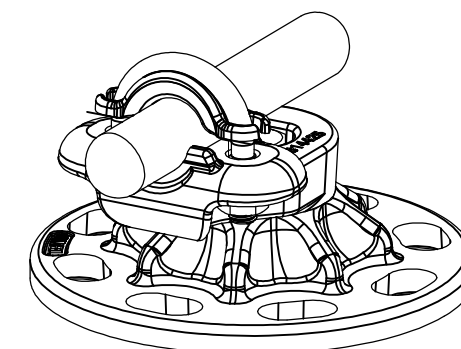
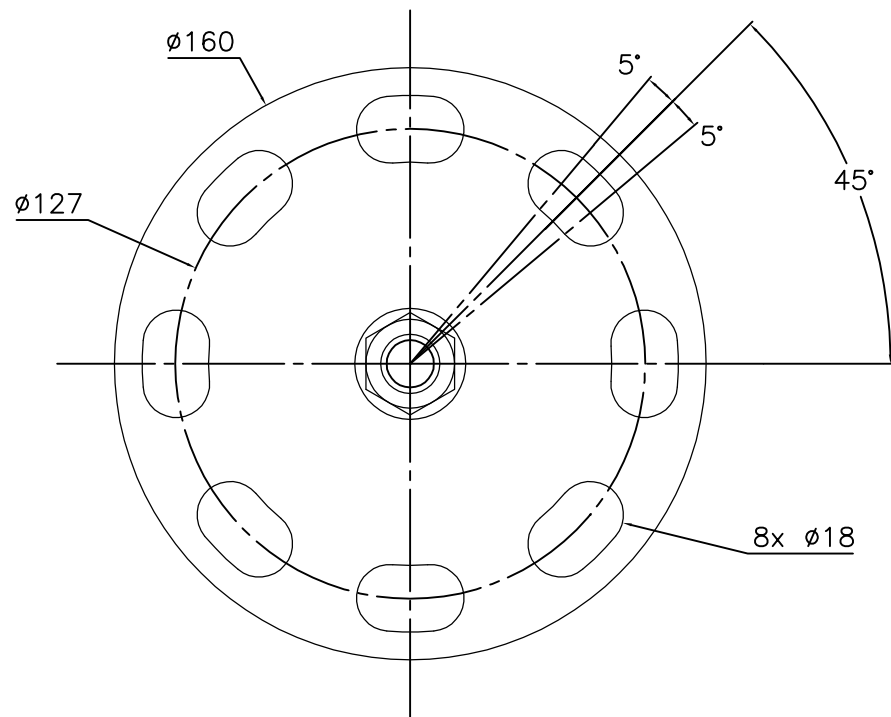
RELEASED FOR PUBLICATION

ALL RIGHTS RESERVED.

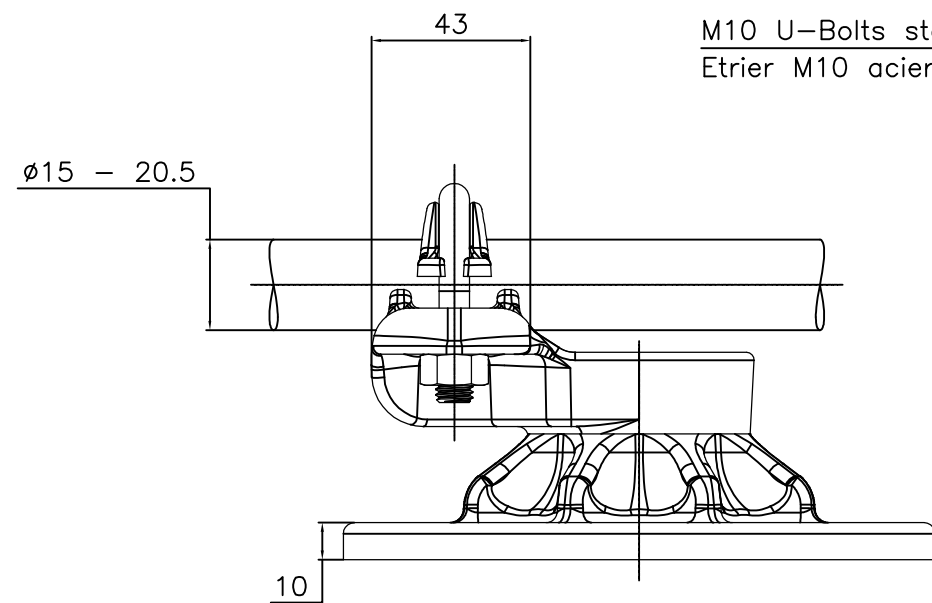
© COPYRIGHT - By -

REVISIONS

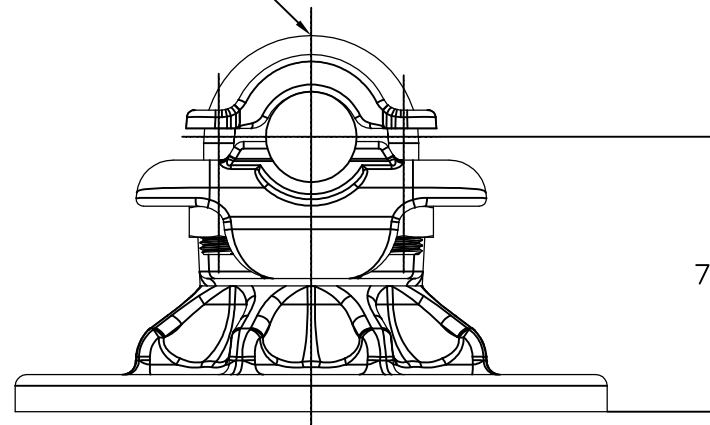
P	LTR	DESCRIPTION	DATE	DWN	APVD
	A	CREATION	18-Sep-17	MP	-



No scale - sans echelle



M10 U-Bolts stainless steel A4: 37Nm  
 Etrier M10 acier inoxydable A4: 37Nm



THIS DRAWING IS A CONTROLLED DOCUMENT.		DWN	PREVOT	18-Sep-17	<b>STE</b> TE Connectivity	
DIMENSIONS: mm		CHK	-	-		
TOLERANCES UNLESS OTHERWISE SPECIFIED:		APVD	-	-	NAME Single conductor support on BPI Support de câble sur ISO 5 CS 84 P5 S205	
0 PLC ± -		PRODUCT SPEC	108-69096-001	APPLICATION SPEC		
1 PLC ± -		APPROX. WEIGHT		1 kg	A3	-
2 PLC ± -		CUSTOMER DRAWING		DRAWING NO		C=2323806
3 PLC ± -		SCALE		1/2	SHEET 1 of 1	
4 PLC ± -		RESTRICTED TO		REV		A
ANGLES ± -		FINISH		-		-
MATERIAL		-		-		-

ITEM:.....