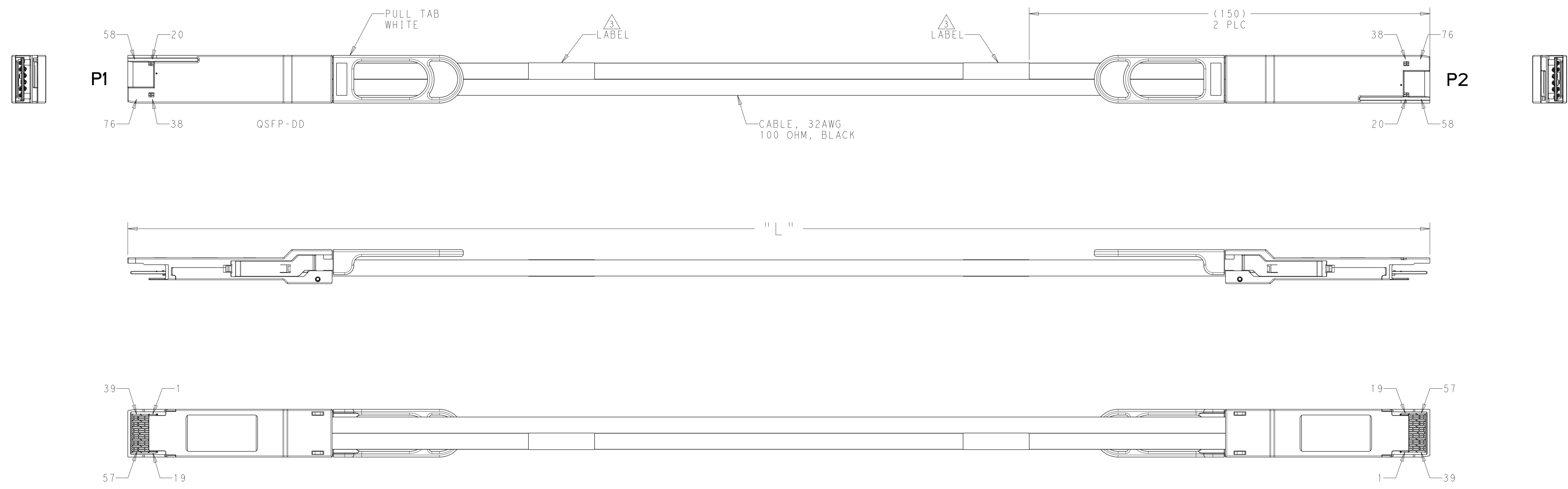


REVISIONS				
P	LTN	DESCRIPTION	DATE	APVD
C		ECO-20-010734: DRAWING ACTIVATION	22OCT2020	SS WY



- SEE SHEET 2 FOR WIRING SCHEMATIC.
- ALL MATERIALS, COMPONENTS AND PROCESSES SHALL COMPLY WITH TEC-138-702. (CONTAINS NO BANNED OR RESTRICTED SUBSTANCES).

△ LABEL INFORMATION: -1 SHOWN.

	2323765-1	TE LOGO AND TE PN
QSFDP-DD		CONFIGURATION
0.5M 32AWG 2x8		SERIAL NUMBER: INCLUDES PART NUMBER, MANUFACTURING LOCATION, DATE CODE AND UNIQUE SERIAL NUMBER
PPPPPLYWWSSS		
SERIAL NUMBER BARCODE		
COUNTRY OF ORIGIN		
MADE IN ...		

- NO REACH SvHC SHALL BE CONTAINED ABOVE THE THRESHOLD AS DEFINED IN REACH SvHC COMPLIANCE DEFINITION IN ANNEX A OF TEC-138-702.
- CABLE ASSEMBLY 100% TESTED FOR OPENS, SHORTS AND PROPER EEPROM PROGRAM.

1.5M 32AWG 2x8	1500±25	2323765-3
1.0M 32AWG 2x8	1000±20	2323765-2
0.5M 32AWG 2x8	500±20	2323765-1
CONFIGURATION	"L"	PART NO


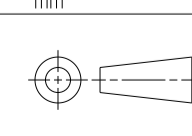
THIS DRAWING IS A CONTROLLED DOCUMENT.		DWN T. SMITH 16OCT2017 CHK K. STAUFFER 16OCT2017 APVD - PRODUCT SPEC - APPLICATION SPEC - WEIGHT - CUSTOMER DRAWING	NAME CABLE ASSY, 32 AWG QSFDP-DD SIZE CAGE CODE DRAWING NO A100779 SCALE 5:4 SHEET 1 OF 2 REV C
DIMENSIONS: mm 	TOLERANCES UNLESS OTHERWISE SPECIFIED: 0 PLC ± 1 PLC ± 2 PLC ± 3 PLC ± 4 PLC ± ANGLES ± FINISH -	TE Connectivity	

REVISIONS				
P	LTN	DESCRIPTION	DATE	APVD
-		SEE SHEET 1	-	-

P1			P2		
GND	1		20	GND	
TX2-	2	↔	21	RX2-	
TX2+	3	↔	22	RX2+	
GND	4		23	GND	
TX4-	5	↔	24	RX4-	
TX4+	6	↔	25	RX4+	
GND	7		26	GND	
ModseIL	8		27	ModPrsL	
ResetL	9		28	intL	
VccRx	10		29	VccTx	
SCL	11		30	Vcc1	
SDA	12		31	InitMode	
GND	13		32	GND	
RX3+	14	↔	33	TX3+	
RX3-	15	↔	34	TX3-	
GND	16		35	GND	
RX1+	17	↔	36	TX1+	
RX1-	18	↔	37	TX1-	
GND	19		38	GND	
GND	20		1	GND	
RX2-	21	↔	2	TX2-	
RX2+	22	↔	3	TX2+	
GND	23		4	GND	
RX4-	24	↔	5	TX4-	
RX4+	25	↔	6	TX4+	
GND	26		7	GND	
ModPrsL	27		8	ModseIL	
intL	28		9	ResetL	
VccTx	29		10	VccRx	
Vcc1	30		11	SCL	
InitMode	31		12	SDA	
GND	32		13	GND	
TX3+	33	↔	14	RX3+	
TX3-	34	↔	15	RX3-	
GND	35		16	GND	
TX1+	36	↔	17	RX1+	
TX1-	37	↔	18	RX1-	
GND	38		19	GND	

P1			P2		
GND	39		58	GND	
TX6-	40	↔	59	RX6-	
TX6+	41	↔	60	RX6+	
GND	42		61	GND	
TX8-	43	↔	62	RX8-	
TX8+	44	↔	63	RX8+	
GND	45		64	GND	
Reserved	46		65	NC	
VS1	47		66	Reserved	
VccRx1	48		67	VccTx1	
VS2	49		68	Vcc2	
VS3	50		69	Reserved	
GND	51		70	GND	
RX7+	52	↔	71	TX7+	
RX7-	53	↔	72	TX7-	
GND	54		73	GND	
RX5+	55	↔	74	TX5+	
RX5-	56	↔	75	TX5-	
GND	57		76	GND	
GND	58		39	GND	
RX6-	59	↔	40	TX6-	
RX6+	60	↔	41	TX6+	
GND	61		42	GND	
RX8-	62	↔	43	TX8-	
RX8+	63	↔	44	TX8+	
GND	64		45	GND	
NC	65		46	Reserved	
Reserved	66		47	VS1	
VccTx1	67		48	VccRx1	
Vcc2	68		49	VS2	
Reserved	69		50	VS3	
GND	70		51	GND	
TX7+	71	↔	52	RX7+	
TX7-	72	↔	53	RX7-	
GND	73		54	GND	
TX5+	74	↔	55	RX5+	
TX5-	75	↔	56	RX5-	
GND	76		57	GND	

WIRE PATTERN

THIS DRAWING IS A CONTROLLED DOCUMENT.		DWN T. SMITH 16OCT2017 CHK K. STAUFFER 16OCT2017 APVD -	 TE Connectivity		
DIMENSIONS: mm 		TOLERANCES UNLESS OTHERWISE SPECIFIED: 0 PLC ± 1 PLC ± 2 PLC ± 3 PLC ± 4 PLC ± ANGLES ± FINISH ±		NAME CABLE ASSY, 32 AWG QSPF-DD PRODUCT SPEC - APPLICATION SPEC - SIZE CAGE CODE DRAWING NO. RESTRICTED TO A 00779 C=2323765	
MATERIAL -		WEIGHT -		CUSTOMER DRAWING SCALE 5:4 SHEET 2 OF 2 REV C	