

THIS DRAWING IS UNPUBLISHED.

RELEASED FOR PUBLICATION

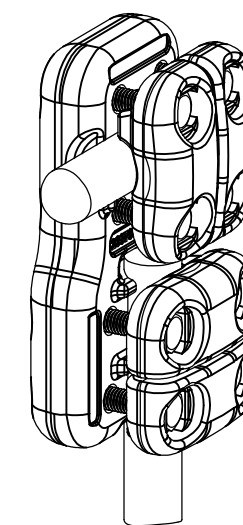
-. - .

REVISIONS

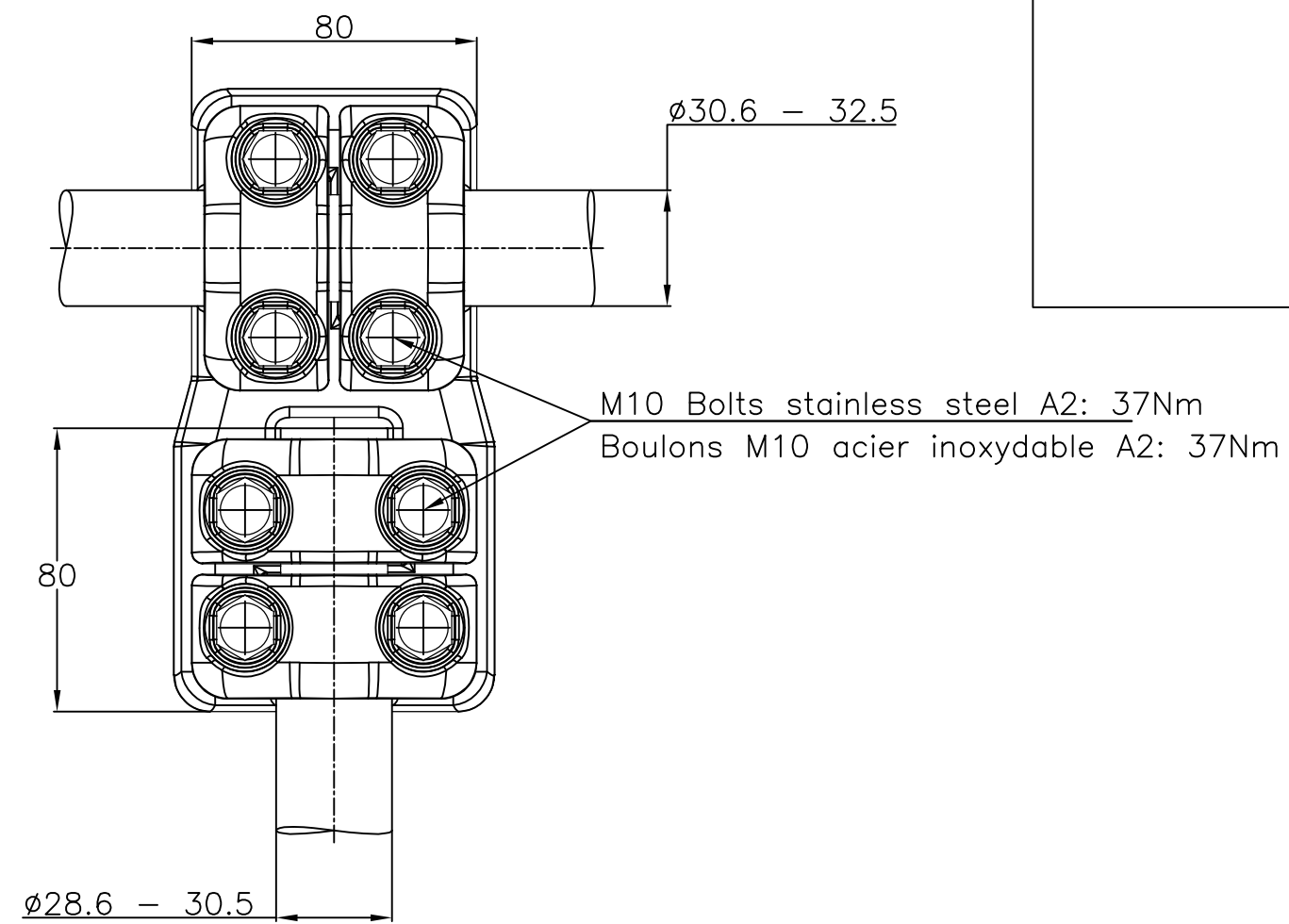
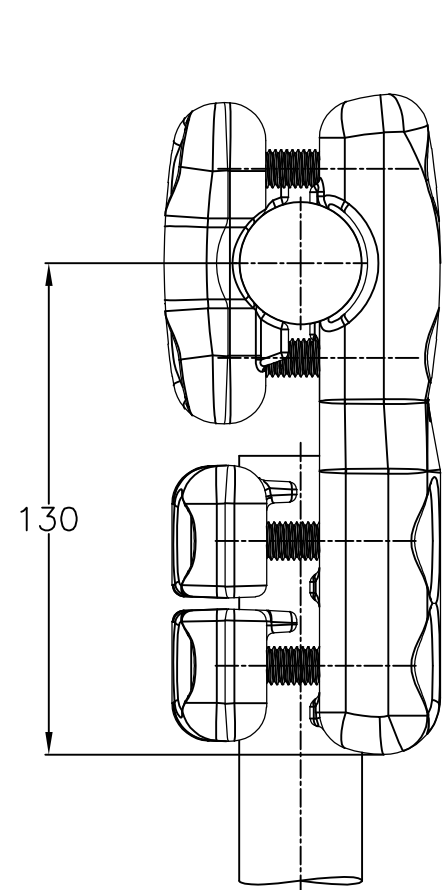
© COPYRIGHT - By -

ALL RIGHTS RESERVED.

| P | LTR | DESCRIPTION | DATE      | DWN | APVD |
|---|-----|-------------|-----------|-----|------|
|   | A   | CREATION    | 06-SEP-17 | GL  | -    |



No scale - sans echelle



THIS DRAWING IS A CONTROLLED DOCUMENT.

DWN LAFORGE 06-SEP-17



| DIMENSIONS: | TOLERANCES UNLESS OTHERWISE SPECIFIED: |
|-------------|--|
| mm          |  |
|             | 0 PLC ± -                              |
|             | 1 PLC ± -                              |
|             | 2 PLC ± -                              |
|             | 3 PLC ± -                              |
|             | 4 PLC ± -                              |
|             | ANGLES ± -                             |

|                  |               |
|------------------|---------------|
| CHK              | -             |
| APVD             | -             |
| PRODUCT SPEC     | 108-69096-001 |
| APPLICATION SPEC | -             |
| APPROX.WEIGHT    | 1.6 kg        |

NAME  
**TEE CONNECTOR**  
**RACCORD EN TE**  
**5 CT 82 S325 S305**

| SIZE | CAGE CODE | DRAWING NO | RESTRICTED TO |
|------|-----------|------------|---------------|
| A3   | 00779     | C=2323362  | -             |

MATERIAL -

FINISH -

CUSTOMER DRAWING SCALE 1:2 SHEET 1 OF 1 REV A

ITEM:.....