

THIS DRAWING IS UNPUBLISHED.

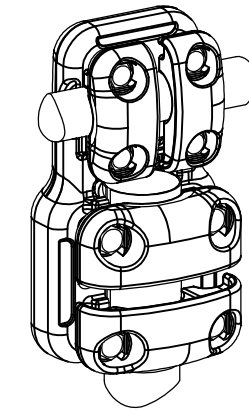
RELEASED FOR PUBLICATION

ALL RIGHTS RESERVED.

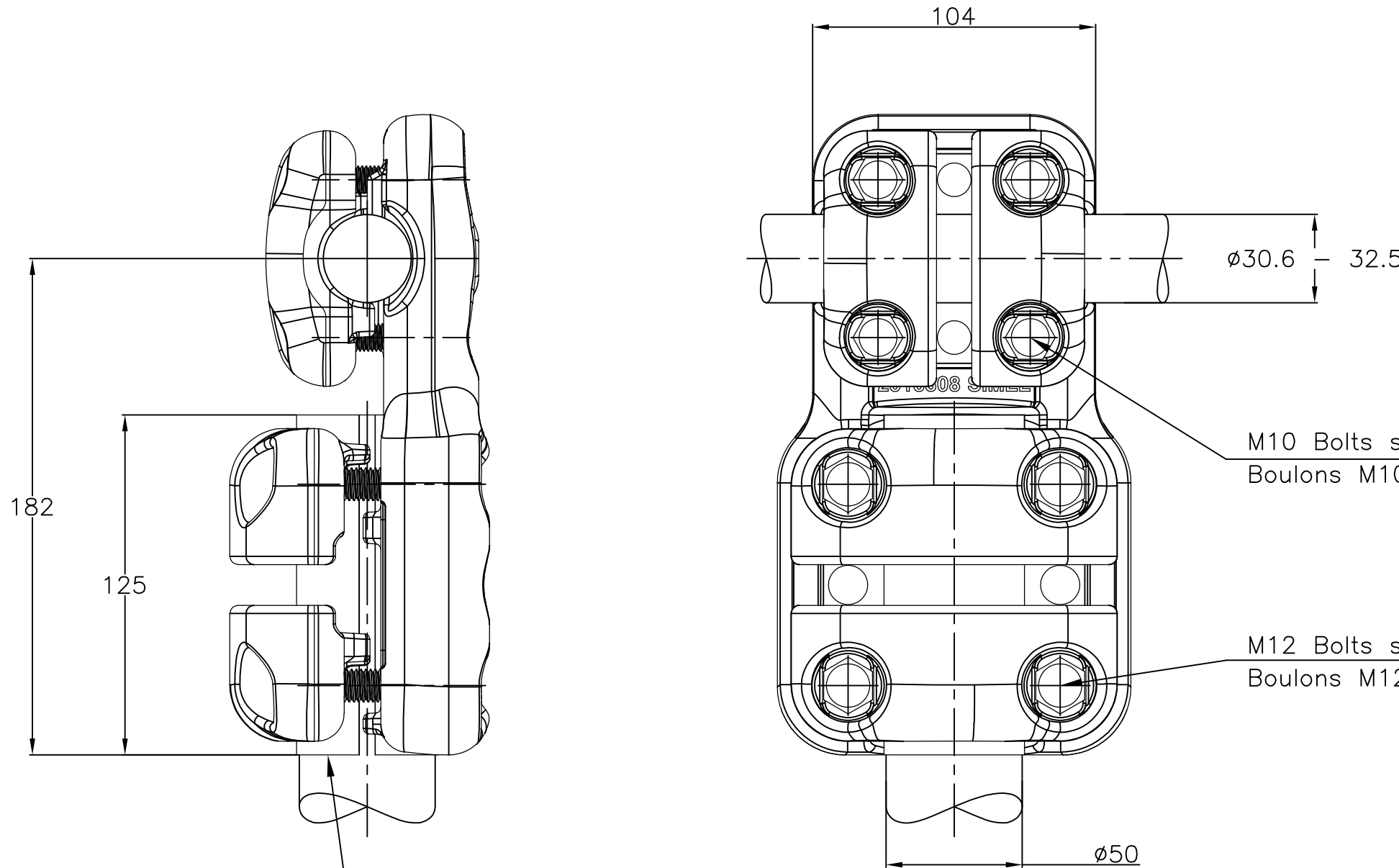
© COPYRIGHT - By -

REVISIONS

P	LTR	DESCRIPTION	DATE	DWN	APVD
	A	CREATION	07-SEP-17	GL	-



No scale
Sans échelle



M10 Bolts stainless steel A2: 37Nm
Boulons M10 acier inoxydable A2: 37Nm

M12 Bolts stainless steel A2: 60Nm
Boulons M12 acier inoxydable A2: 60Nm

Bimetallic sleeve alu/Copper 52x50Dia
Fourrure bi-métallique alu/cuivre Ø52x5

ITEM:.....

THIS DRAWING IS A CONTROLLED DOCUMENT.		DWN LAFORGE	07-SEP-17	STE TE Connectivity	
DIMENSIONS: mm		CHK	-		
TOLERANCES UNLESS OTHERWISE SPECIFIED:		APVD	-	NAME TEE CONNECTOR RACCORD EN TE	
0 PLC ± -		PRODUCT SPEC	-	5 CT 82 M325 LK505	
1 PLC ± -		APPLICATION SPEC	108-69096-001	SIZE	CAGE CODE
2 PLC ± -				A3	00779
3 PLC ± -				DRAWING NO	©=2323358
4 PLC ± -				RESTRICTED TO	-
ANGLES ± -				APPROX.WEIGHT	2.92 kg
FINISH				CUSTOMER DRAWING	SCALE 1:2
MATERIAL				SHEET	1 OF 1
				REV	A