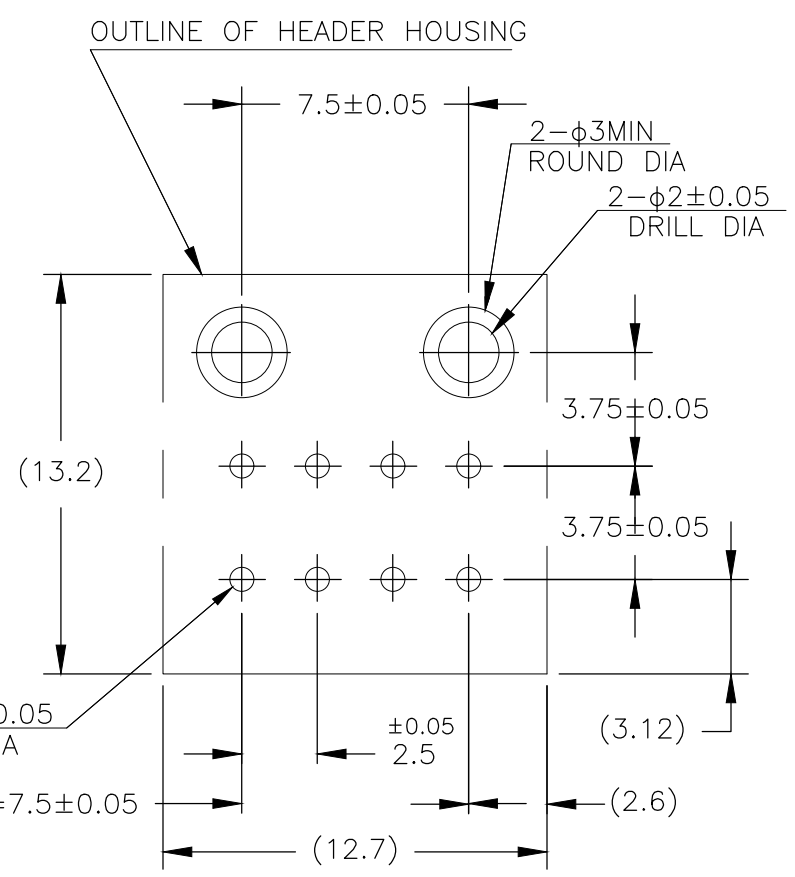
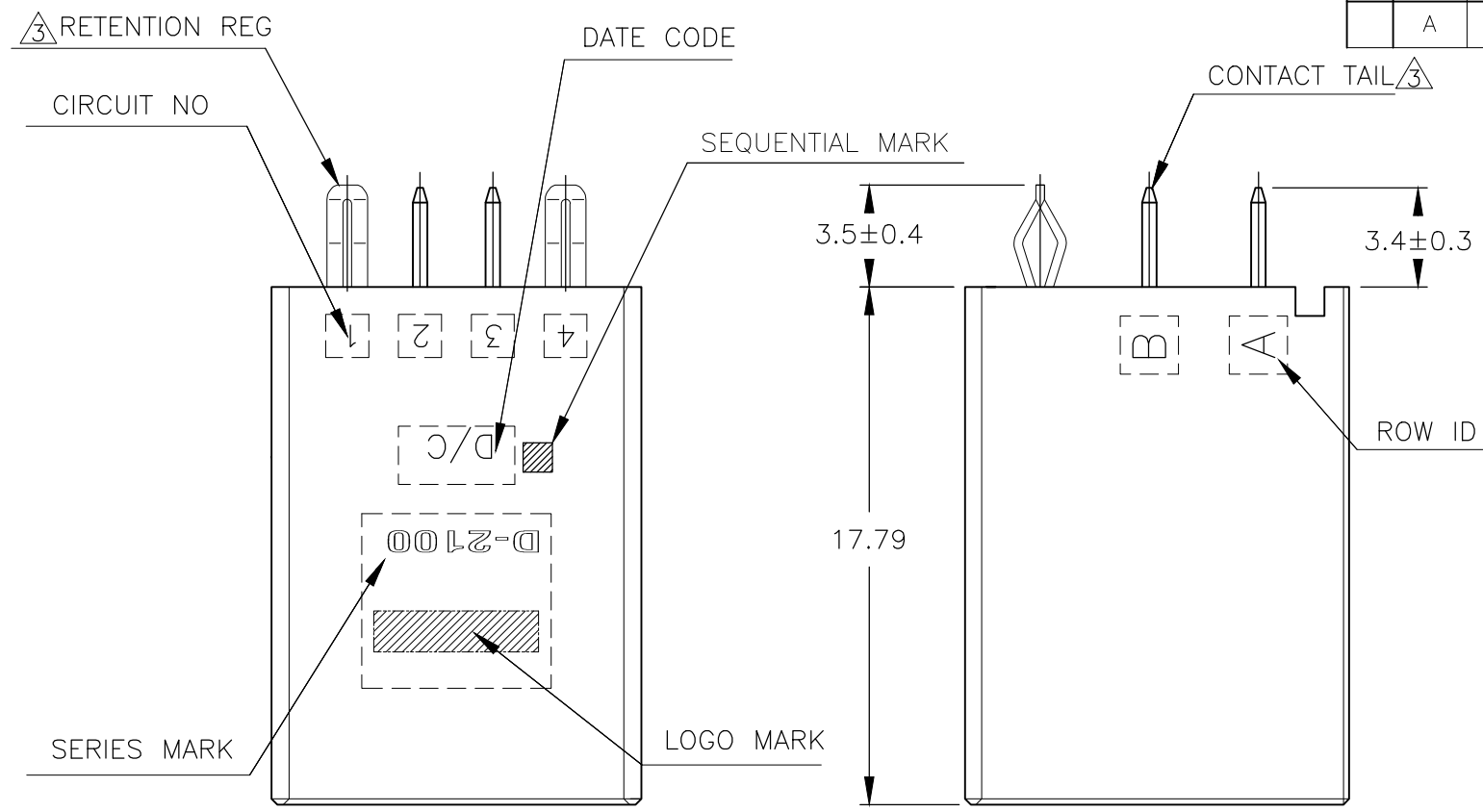
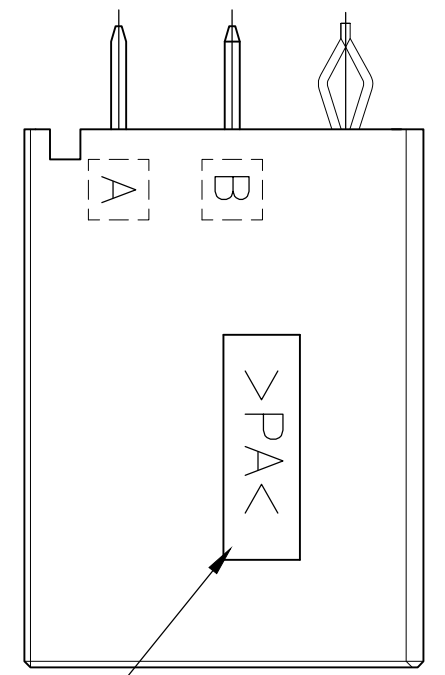


THIS DRAWING IS UNPUBLISHED. RELEASED FOR PUBLICATION  
 © COPYRIGHT 2012 By Tyco Electronics Japan G.K. ALL RIGHTS RESERVED.

P		LTR		DESCRIPTION	DATE	DWN	APVD
A		RELEASED			11DEC2017	H.O	E.I

1-2322867-1;AS SHOWN  
 SEQUENTIAL TYPE



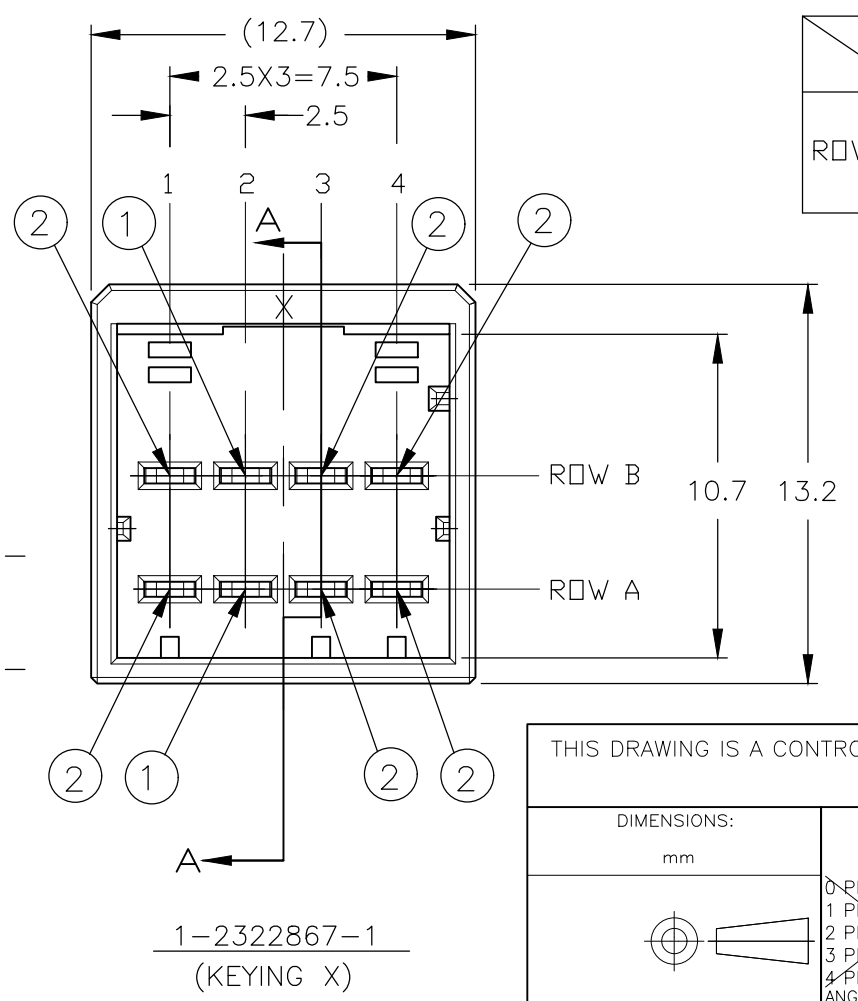
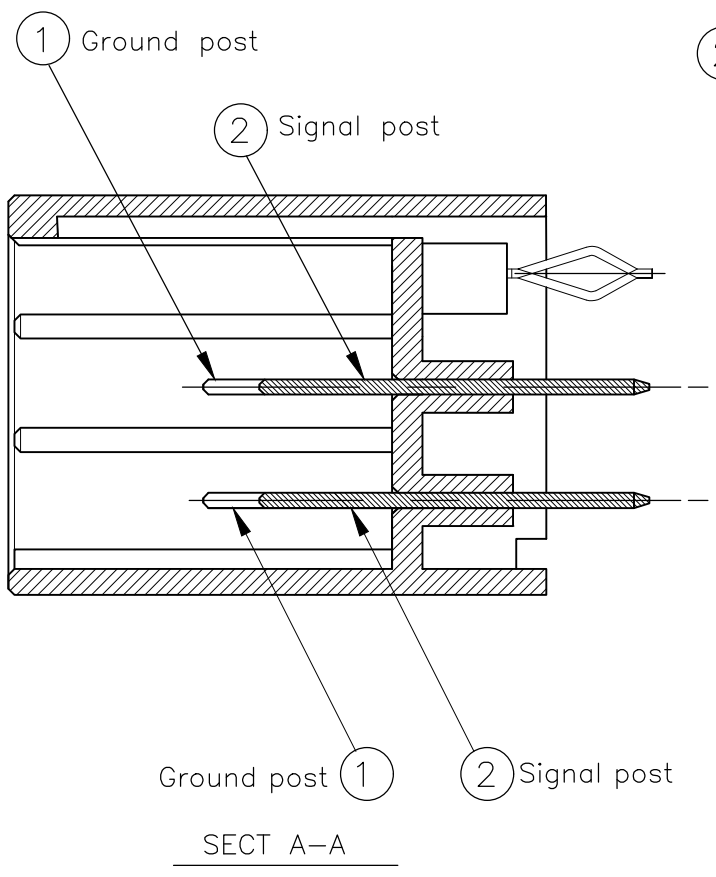
RECOMENDED PC BOARD HOLE PATTERN (TOLERANCE:±0.05)  
 PC BOARD THICKNESS:1.6±0.3  
 (CONNECTOR MOUNT SIDE)

		CURCUIT NO.			
ROW	B	② Signal	① Ground	② Signal	② Signal
	A	② Signal	① Ground	② Signal	② Signal

POINT OF SEQUENTIAL  
 1-2322867-1

- MATERIAL:HOUSING:GRASS FILED THERMO PLASTIC,POLYAMIDE(94V-0),BLACK  
 TAB CONTACT:COPPER ALLOY  
 RETENTION LEG:BRASS
- FINISH(CONTACT AREA):0.38μmMIN GOLD PLATEDING OVER NICKEL PLATING
- FINISH(RETENTION LEG , CONTACT TAIL):TIN PLATED OVER NICKEL PLATING
- NET WEIGHT:1.93g

X	1-2322867-1
KEY	PART No.



THIS DRAWING IS A CONTROLLED DOCUMENT.		DWN	H.OSABE	27OCT2017
DIMENSIONS: mm		CHK	T.SHIMOYASU	11DEC2017
TOLERANCES UNLESS OTHERWISE SPECIFIED:		APVD	E.IKEMATSU	11DEC2017
0 PLC	±	NAME		
1 PLC	±	DOUBLE ROW HEADER ASSY 8P V-TYPE		
2 PLC	±	DYNAMIC D-2100D		
3 PLC	±	PRODUCT SPEC		
4 PLC	±	APPLICATION SPEC		
ANGLES	±3°	SIZE		
FINISH	SEE NOTE	CAGE CODE		
MATERIAL		DRAWING NO		
SEE NOTE		RESTRICTED TO		
		WEIGHT		
		0.00		
		CUSTOMER DRAWING		

STE		TE Connectivity	
NAME		RESTRICTED TO	
108-5619		-	
SIZE	CAGE CODE	DRAWING NO	RESTRICTED TO
A3	00779	C-2322867	-
SCALE		SHEET	REV
4:1		1 OF 1	A