

THIS DRAWING IS UNPUBLISHED.

RELEASED FOR PUBLICATION

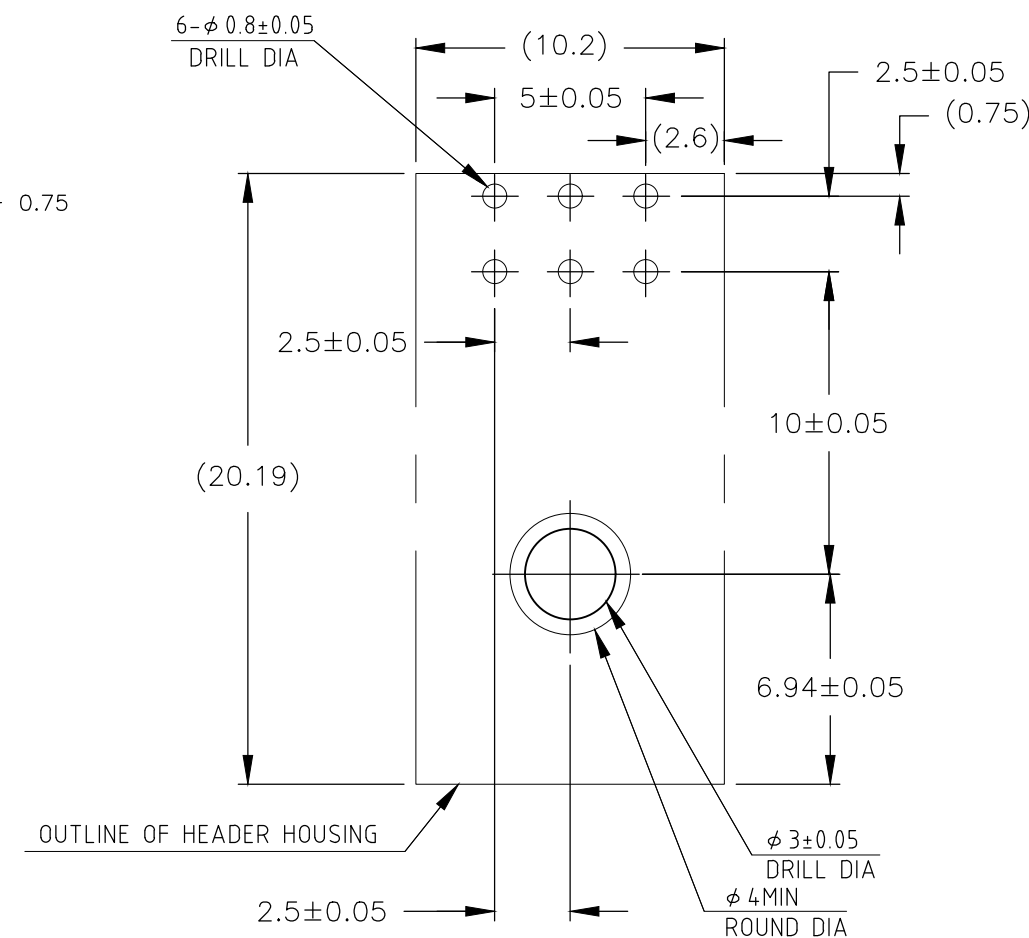
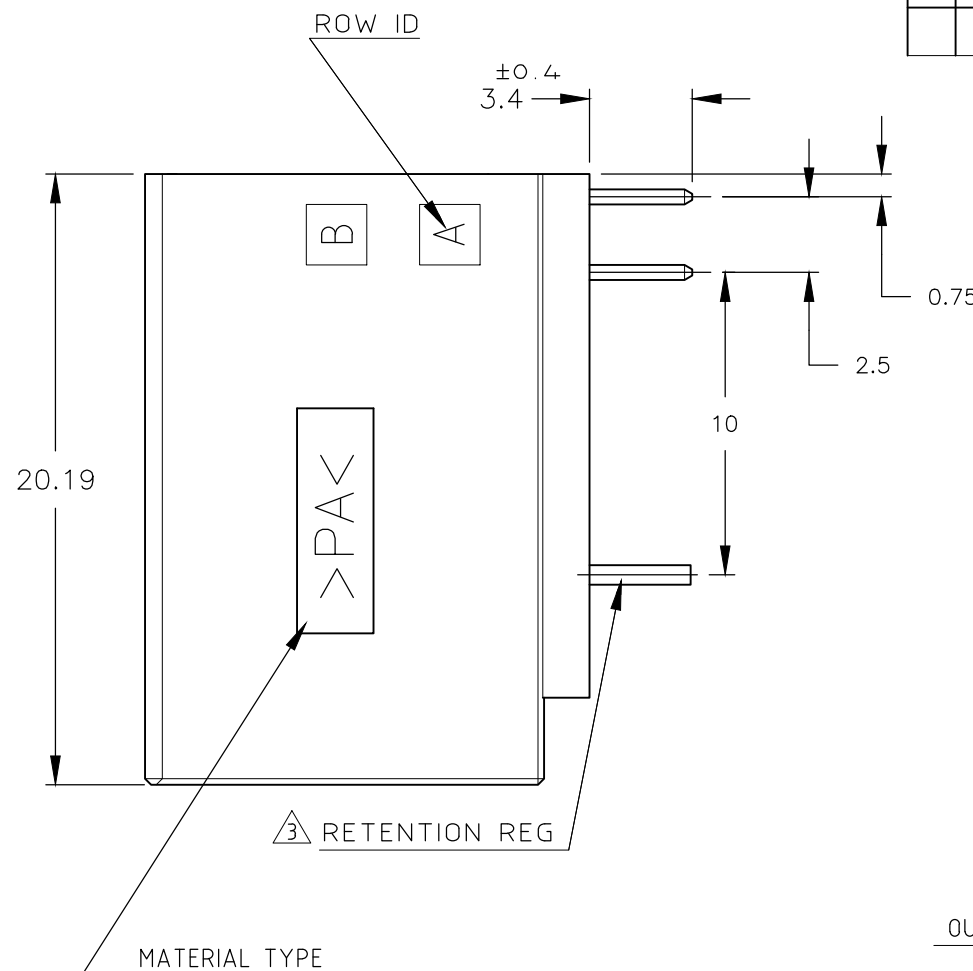
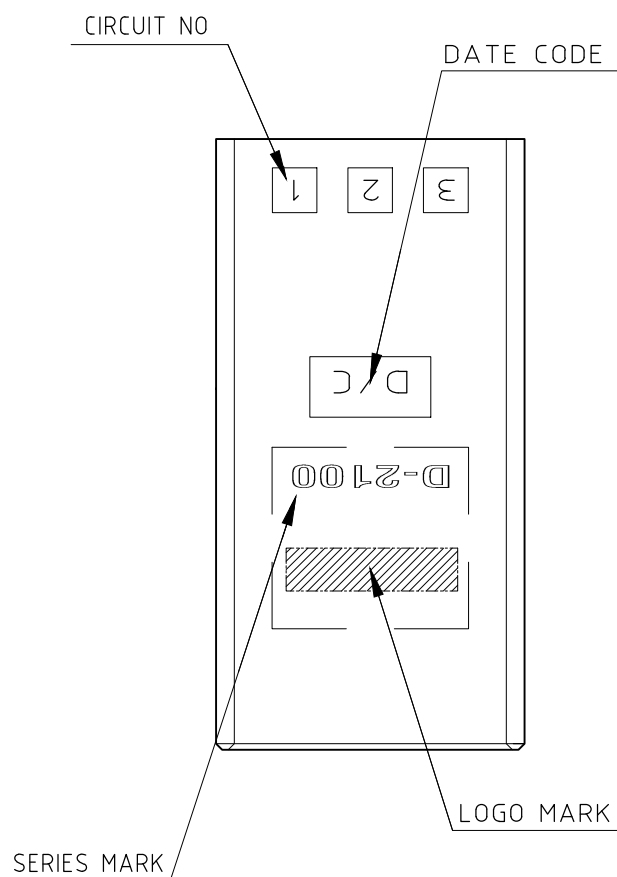
REVISIONS

© COPYRIGHT 2011APBy - Tyco Electronics Japan G.K.

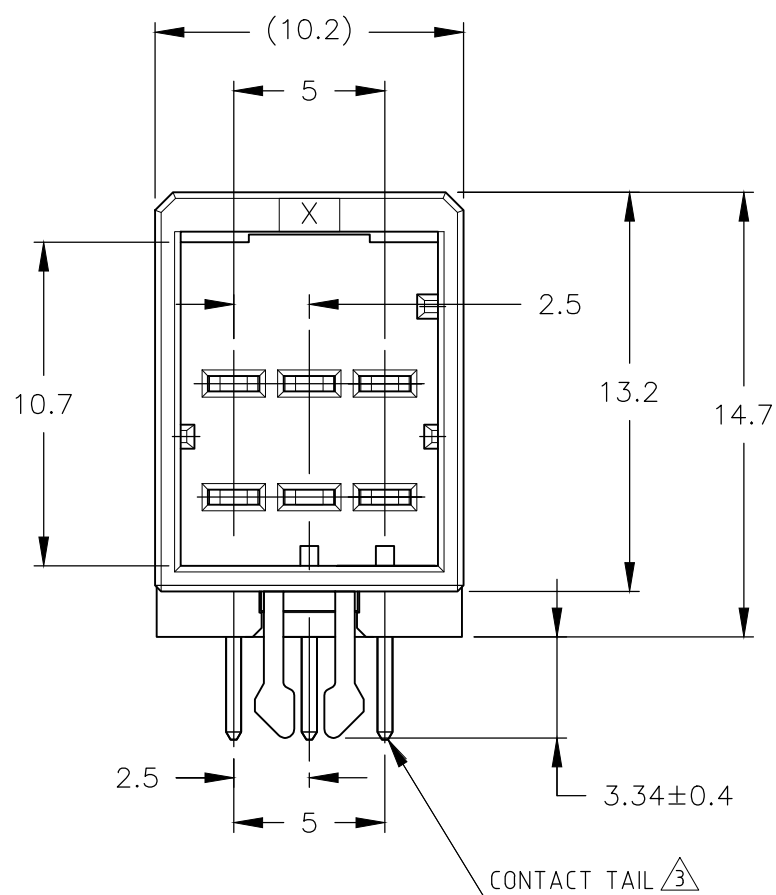
ALL RIGHTS RESERVED.

P	LTR	DESCRIPTION	DATE	DWN	APVD
	A	RELEASED	11DEC2017	H.O	E.I

-1;AS SHOWN



RECOMMENDED PC BOARD HOLE PATTERN (TOLERANCE:±0.05)
 PC BOARD THICKNESS:1.6±0.3
 (CONNECTOR MOUNT SIDE)



1. MATERIAL:HOUSING:GRASS FILED THERMO PLASTIC,POLYAMIDE(94V-0),BLACK
TAB CONTACT:COPPER ALLOY
RETENTION LEG:BRASS
2. FINISH(CONTACT AREA):0.38μmMIN GOLD PLATEDING OVER NICKEL PLATING
3. FINISH(RETENTION LEG , CONTACT TAIL):TIN PLATED OVER NICKEL PLATING
4. NET WEIGHT:2.34g

X	2322864-1
KEY	PART NO

THIS DRAWING IS A CONTROLLED DOCUMENT.		DWN H.OSABE 11DEC2017	TE Connectivity				
DIMENSIONS: mm		CHK T.SHIMOYASU 11DEC2017					
TOLERANCES UNLESS OTHERWISE SPECIFIED:		APVD E.IKEMATSU 11DEC2017	NAME				
0 PLC ± -		PRODUCT SPEC	DOUBLE ROW HEADER ASSY 6P H-TYPE				
1 PLC ± 0.3		108-5619	DYNAMIC D-2100D				
2 PLC ± 0.35		APPLICATION SPEC	-				
3 PLC ± 0.4			SIZE	CAGE CODE	DRAWING NO	RESTRICTED TO	
4 PLC ± -							
ANGLES ± 3°		WEIGHT 0.00	A3	00779	C-2322864		
MATERIAL SEE NOTES		FINISH SEE NOTES	CUSTOMER DRAWING		SCALE 1:1	SHEET 1 OF 1	REV A