

THIS DRAWING IS UNPUBLISHED.

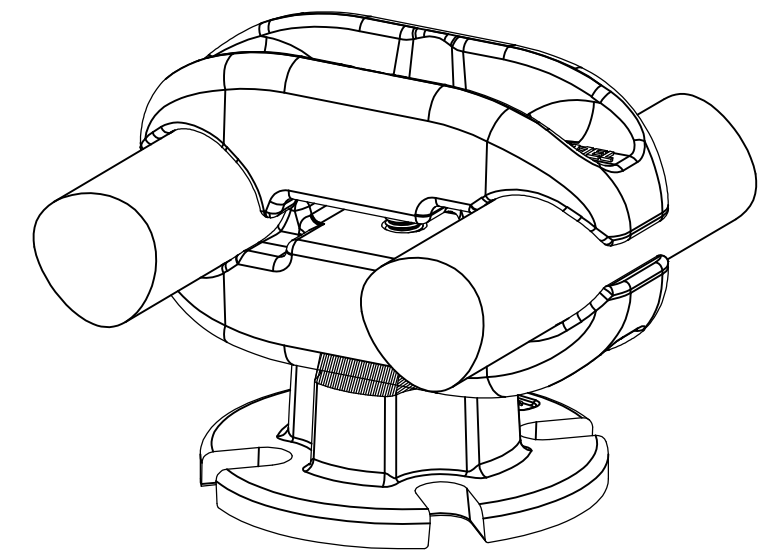
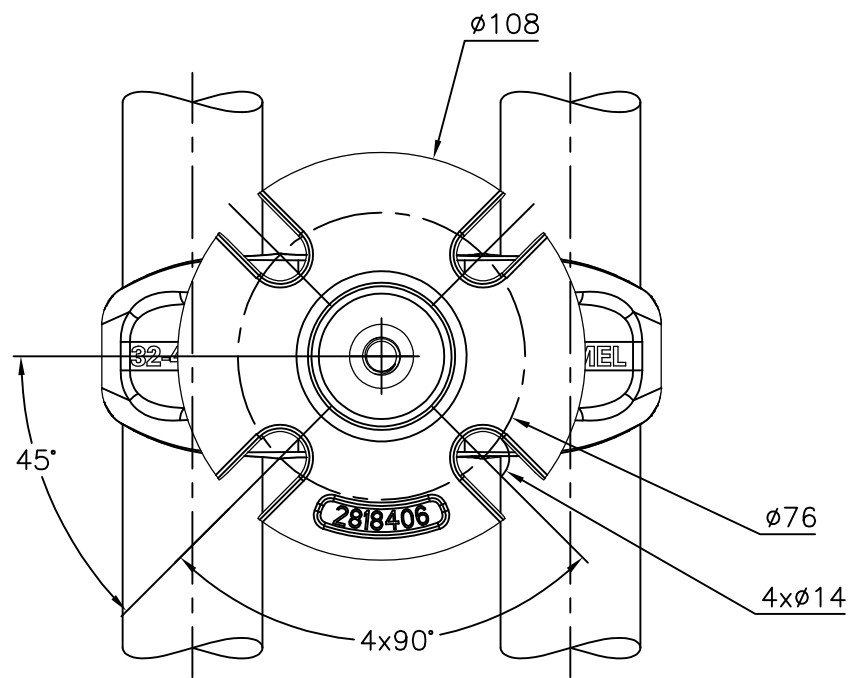
RELEASED FOR PUBLICATION

ALL RIGHTS RESERVED.

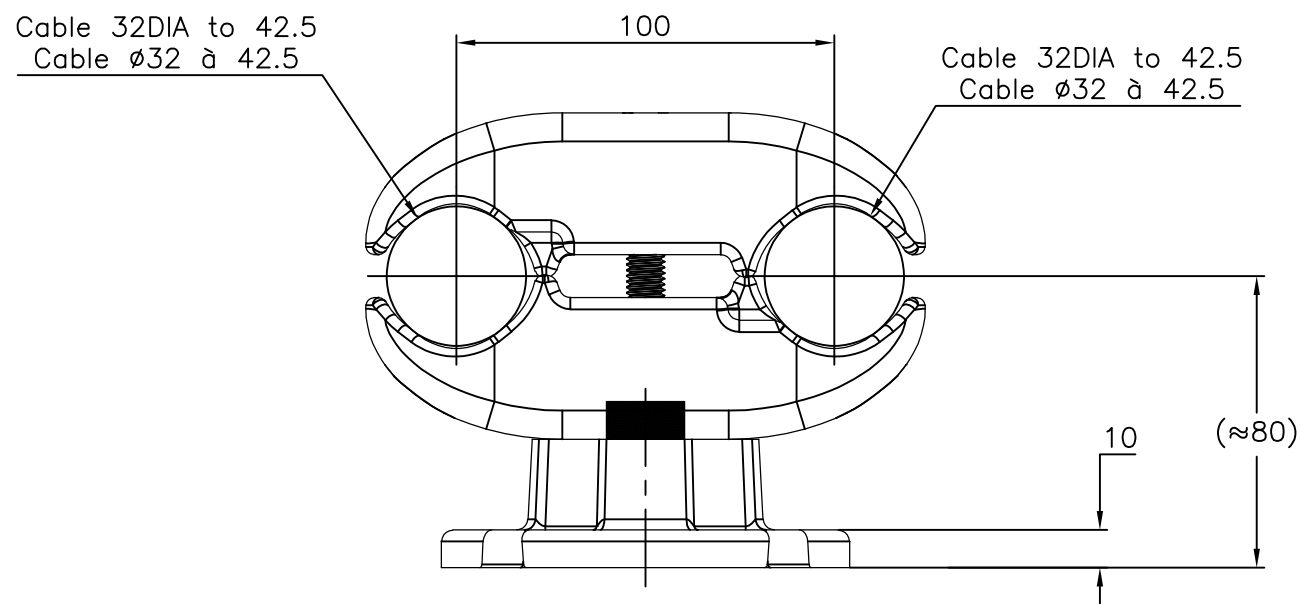
© COPYRIGHT - By -

REVISIONS

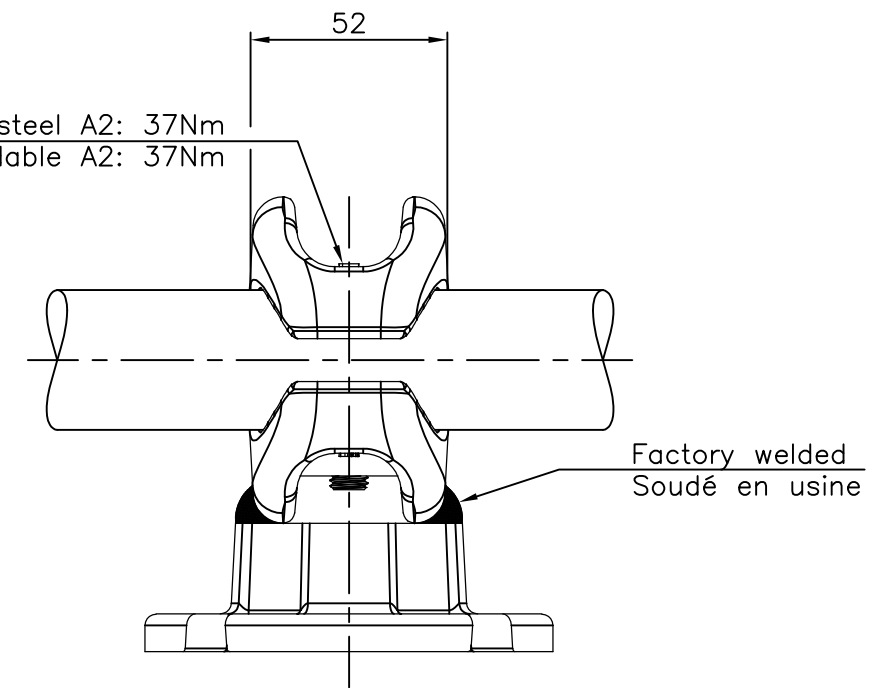
P	LTR	DESCRIPTION	DATE	DWN	APVD
	A	CREATION	11-OCT-17	JG	-



No scale
Sans échelle



M10 screw stainless steel A2: 37Nm
Vis M10 acier inoxydable A2: 37Nm



ITEM:.....

THIS DRAWING IS A CONTROLLED DOCUMENT.		DWN GODARD	11-Oct-17	STE TE Connectivity	
DIMENSIONS: mm		CHK	-		
TOLERANCES UNLESS OTHERWISE SPECIFIED:		APVD	-	NAME TWIN BUNDLE SUPPORT ON BPI SUPPORT DE FAISCEAU DOUBLE SUR ISO	
0 PLC ± -		PRODUCT SPEC	108-69096-001	5 CAE 82 P3 M320/M425 E100	
1 PLC ± -		APPLICATION SPEC	-	SIZE	A3
2 PLC ± -				CAGE CODE	00779
3 PLC ± -				DRAWING NO	C=2322748
4 PLC ± -				RESTRICTED TO	-
ANGLES ± -		APPROX.WEIGHT	1.0 kg	SCALE	1:2
FINISH		CUSTOMER DRAWING		SHEET	1 OF 1
MATERIAL				REV	A