

THIS DRAWING IS UNPUBLISHED.

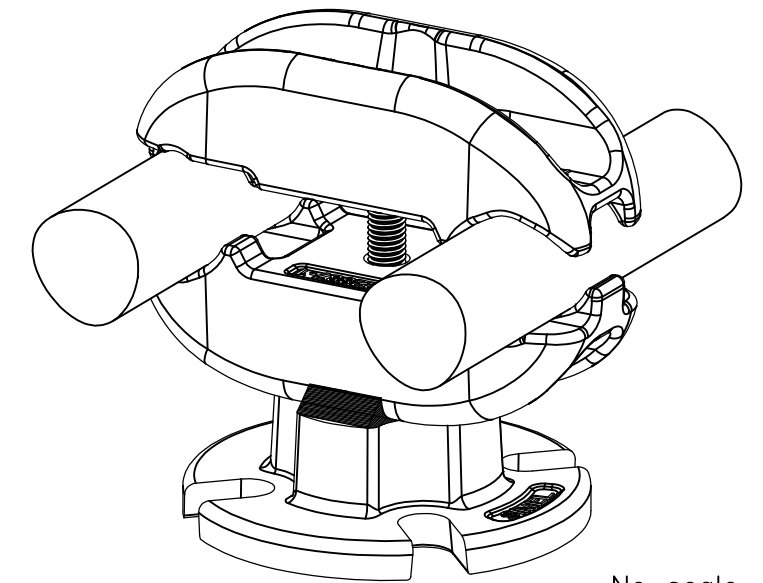
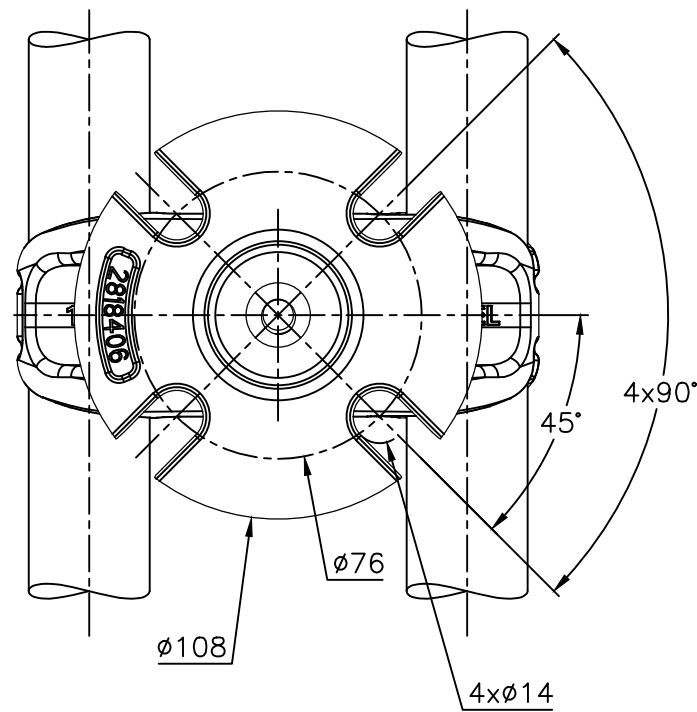
RELEASED FOR PUBLICATION

ALL RIGHTS RESERVED.

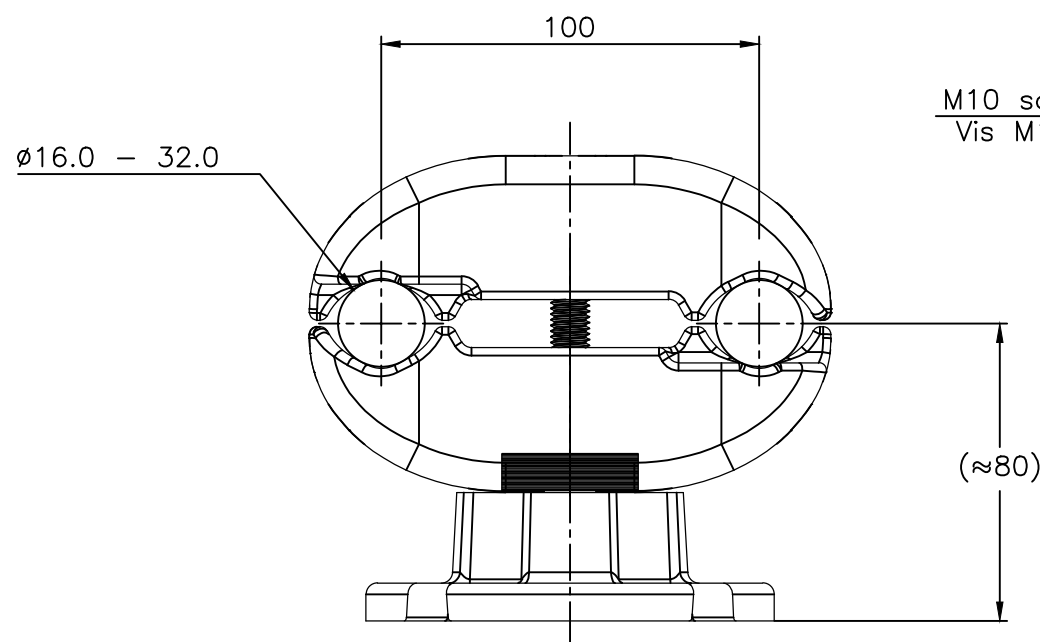
© COPYRIGHT - By -

REVISIONS

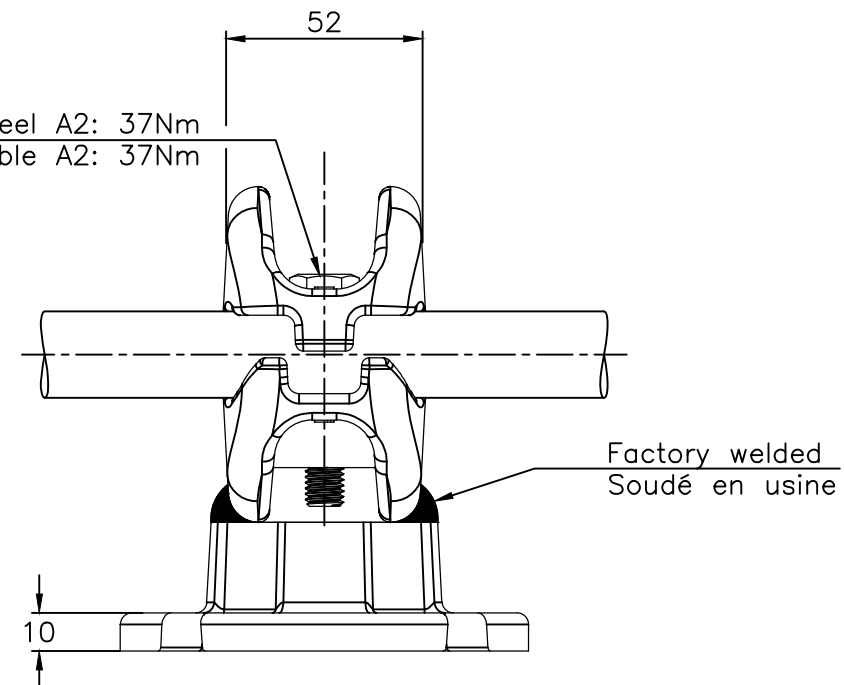
P	LTR	DESCRIPTION	DATE	DWN	APVD
	B	UPDATED DRAWING	13-DEC-17	JG	-



No scale
Sans échelle



M10 screw stainless steel A2: 37Nm
Vis M10 acier inoxydable A2: 37Nm



Factory welded
Soudé en usine

ITEM:.....

THIS DRAWING IS A CONTROLLED DOCUMENT.		DWN GODARD	26-Feb-17	STE TE Connectivity	
DIMENSIONS: mm		CHK	-		
TOLERANCES UNLESS OTHERWISE SPECIFIED:		APVD	-	NAME TWIN BUNDLE SPACER ON BPI ENTRETOISE POUR FAISCEAU DOUBLE SUR ISO	
0 PLC ± -		PRODUCT SPEC	-	5 CAE 82 P3 S160/S320 E100	
1 PLC ± -		APPLICATION SPEC	108-69096-001	SIZE	A3
2 PLC ± -				CAGE CODE	00779
3 PLC ± -				DRAWING NO	C=2322746
4 PLC ± -				RESTRICTED TO	-
ANGLES ± -				APPROX.WEIGHT	1.0 kg
FINISH				CUSTOMER DRAWING	SCALE 1:2
MATERIAL				SHEET	1 OF 1
				REV	B