

THIS DRAWING IS UNPUBLISHED.

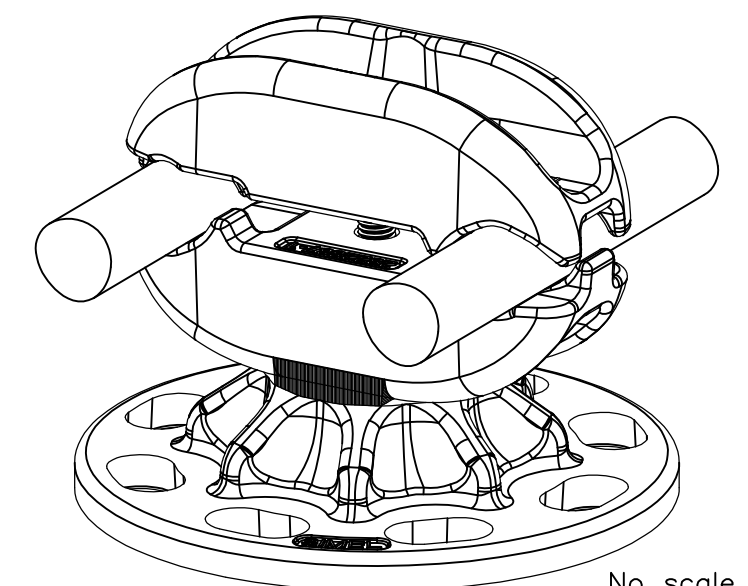
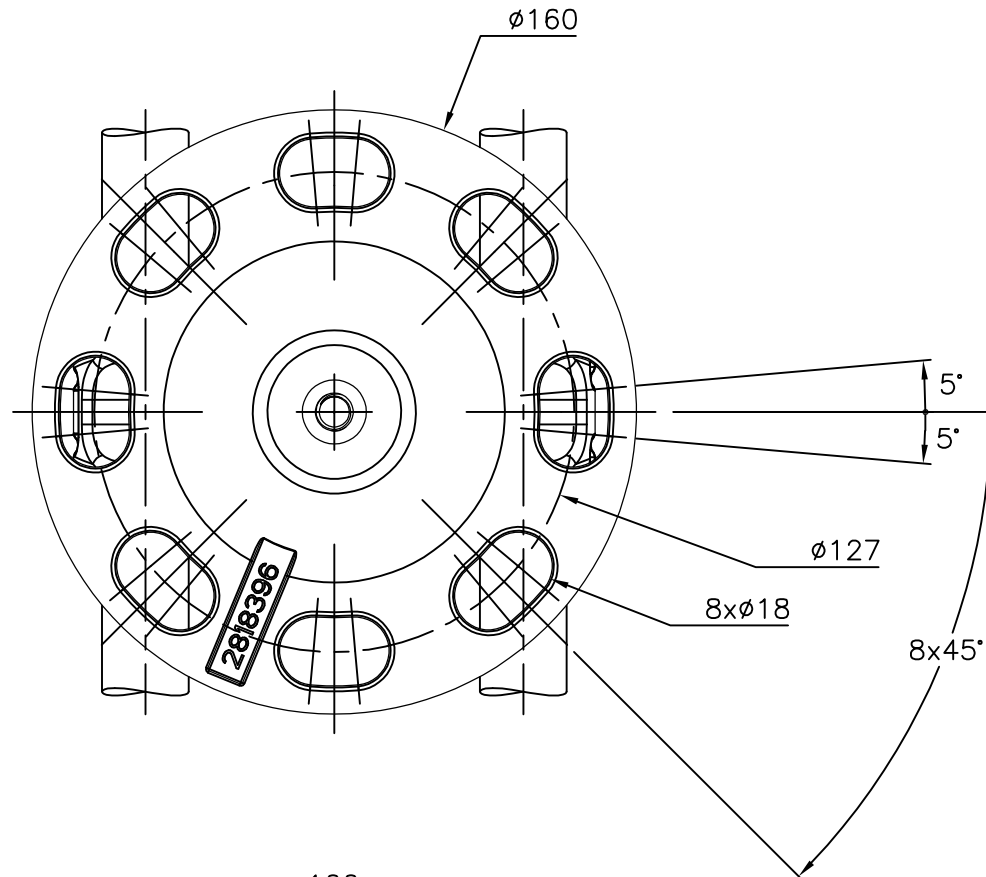
RELEASED FOR PUBLICATION

ALL RIGHTS RESERVED.

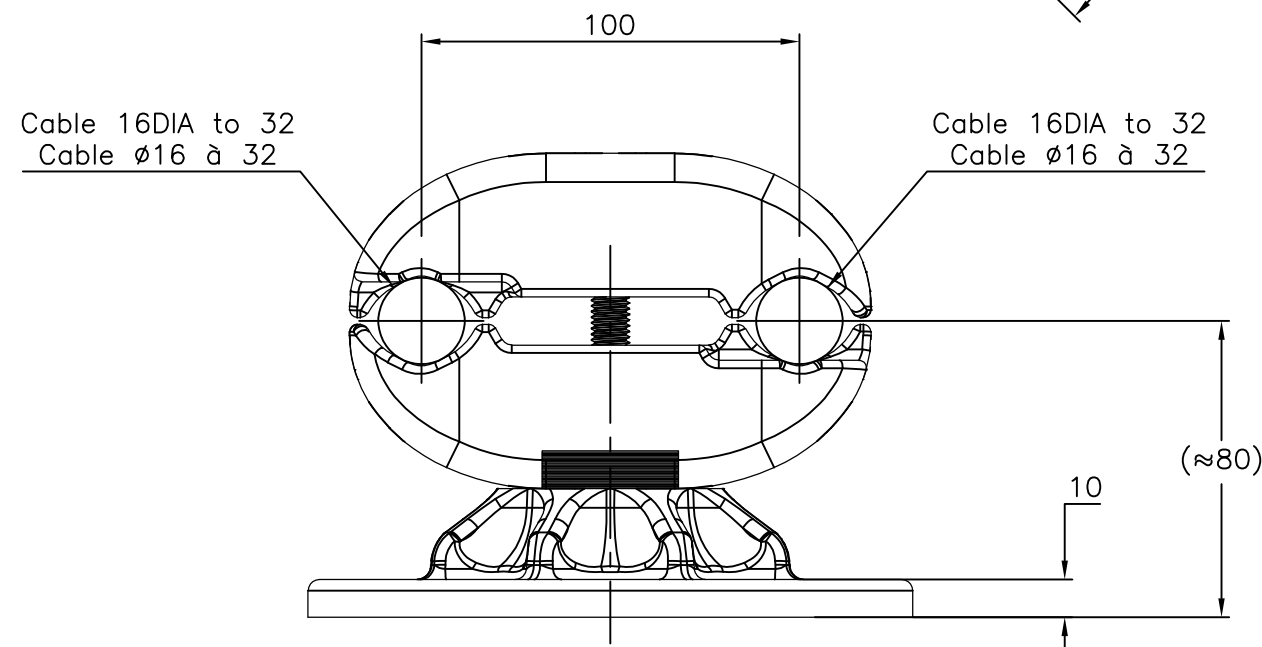
© COPYRIGHT - By -

REVISIONS

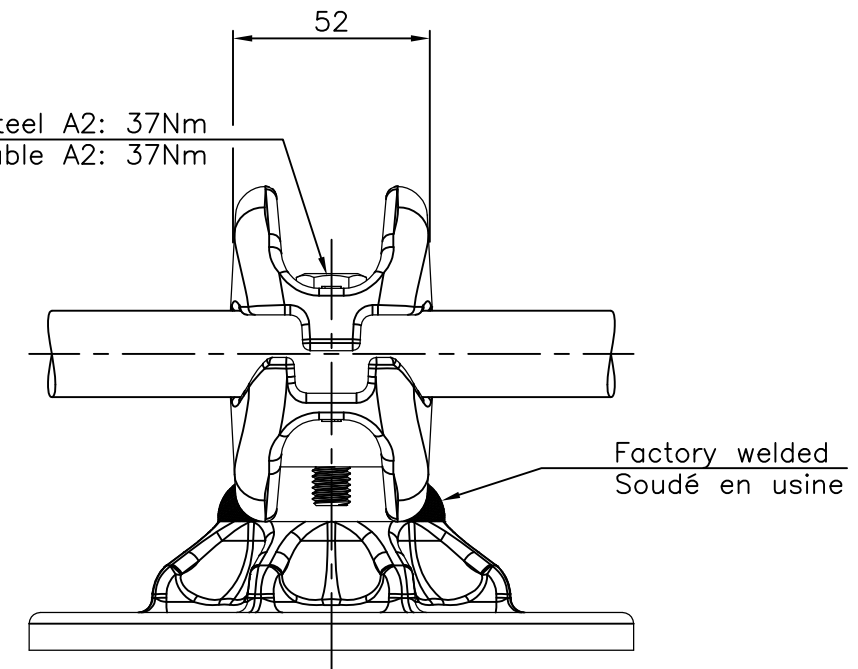
P	LTR	DESCRIPTION	DATE	DWN	APVD
1		CREATION	11-OCT-17	JG	-



No scale  
Sans échelle



M10 screw stainless steel A2: 37Nm  
Vis M10 acier inoxydable A2: 37Nm

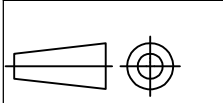


THIS DRAWING IS A CONTROLLED DOCUMENT.

DWN GODARD 11-Oct-17

DIMENSIONS:  
mm

TOLERANCES UNLESS OTHERWISE SPECIFIED:



0 PLC	± -
1 PLC	± -
2 PLC	± -
3 PLC	± -
4 PLC	± -
ANGLES	± -
FINISH	-

CHK -

APVD -

PRODUCT SPEC

108-69096-001

APPLICATION SPEC

APPROX.WEIGHT 1.32 kg



NAME TWIN BUNDLE SUPPORT ON BPI

SUPPORT DE FAISCEAU DOUBLE SUR ISO

5 CAE 82 P5 S160/S320 E100

SIZE A3 CAGE CODE 00779 DRAWING NO C=2322745 RESTRICTED TO -

CUSTOMER DRAWING

SCALE 1:2 SHEET 1 OF 1 REV 1

ITEM:.....