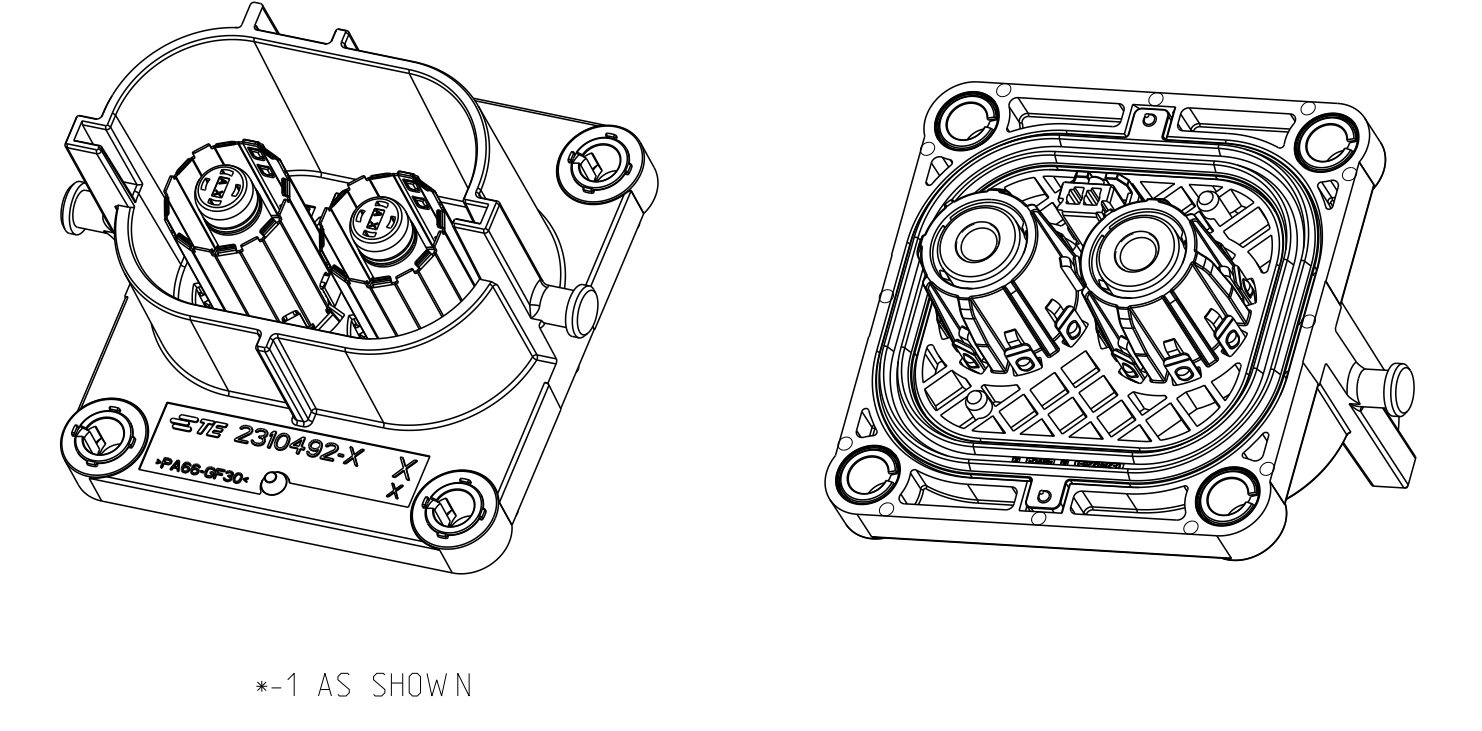
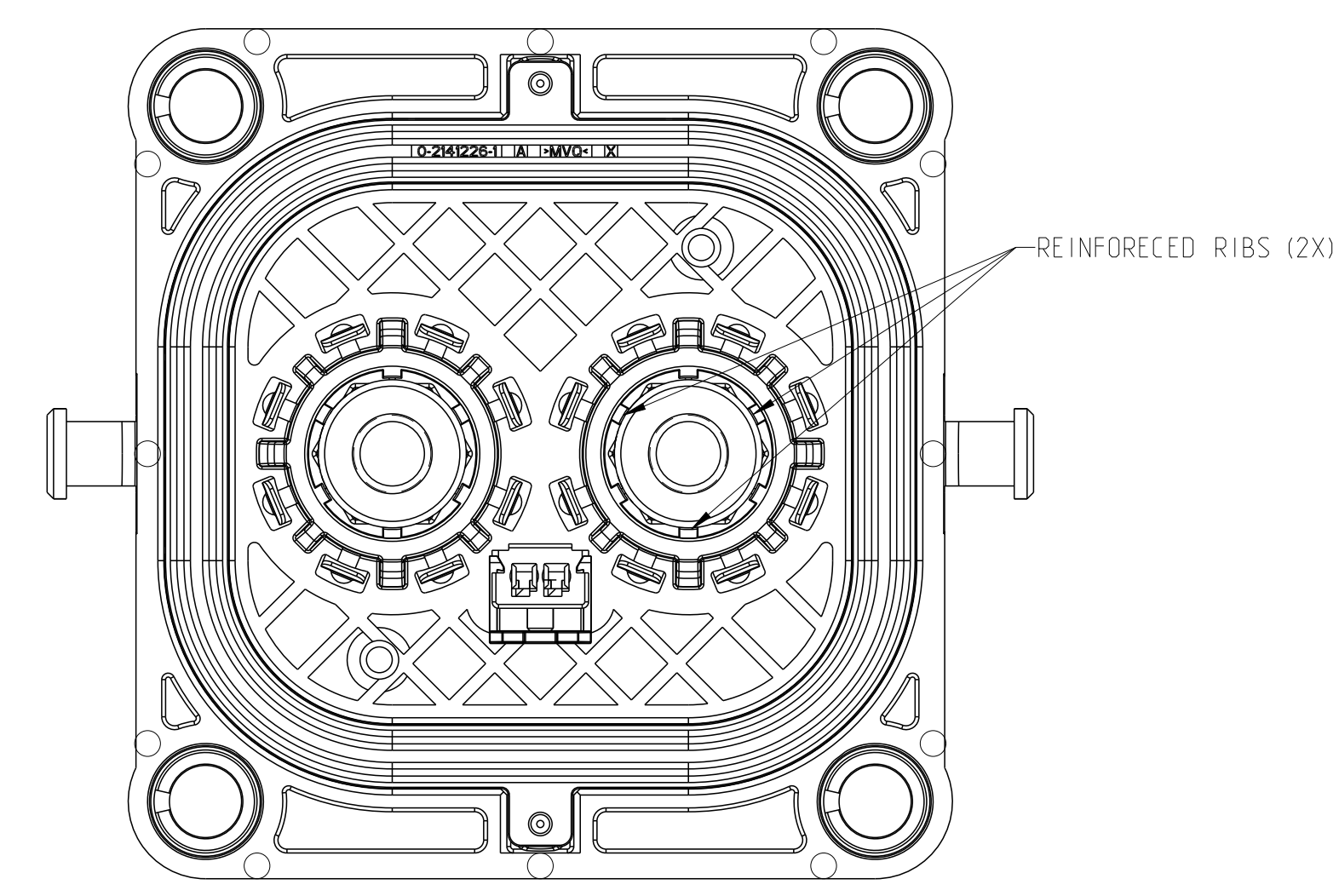
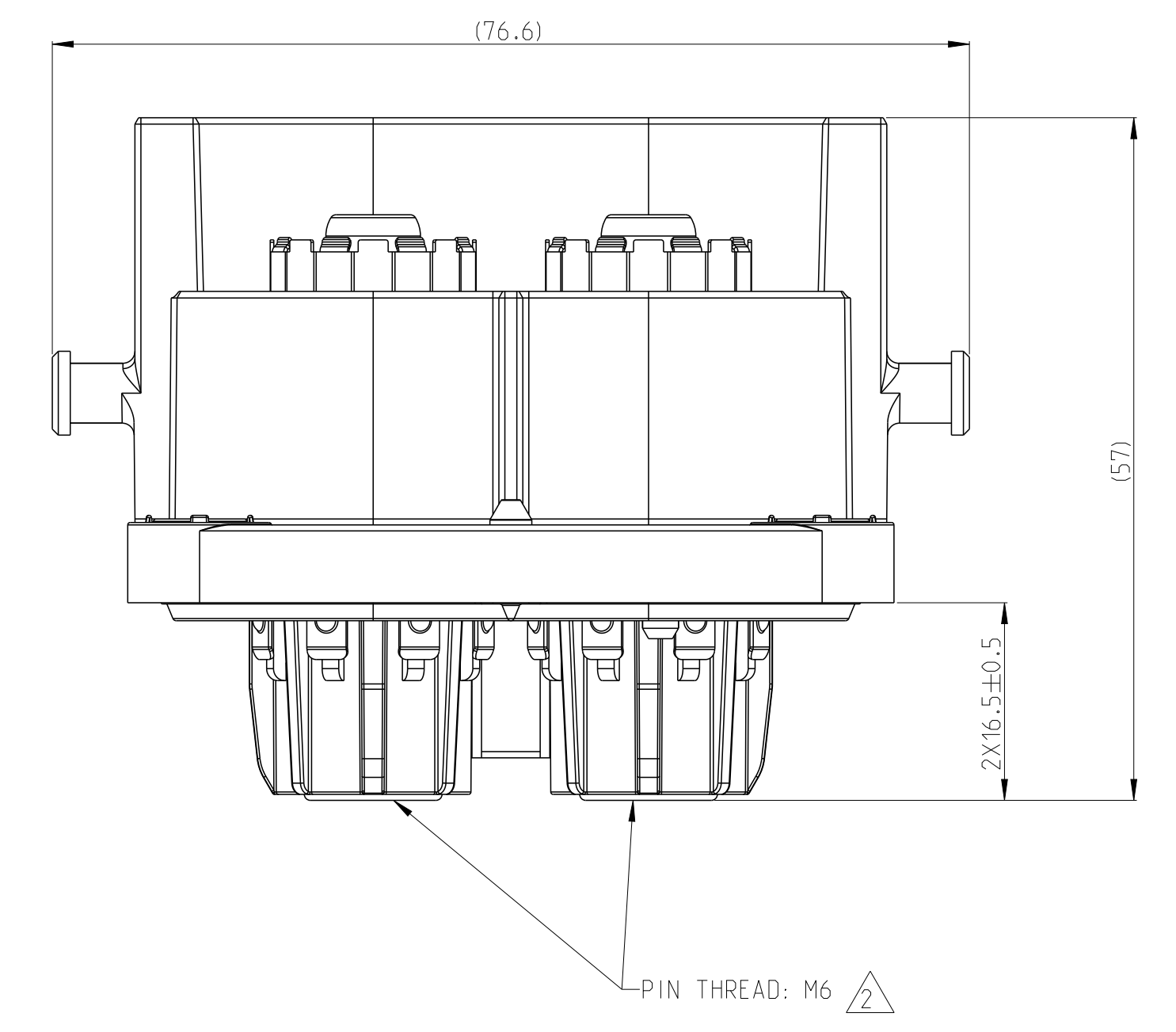
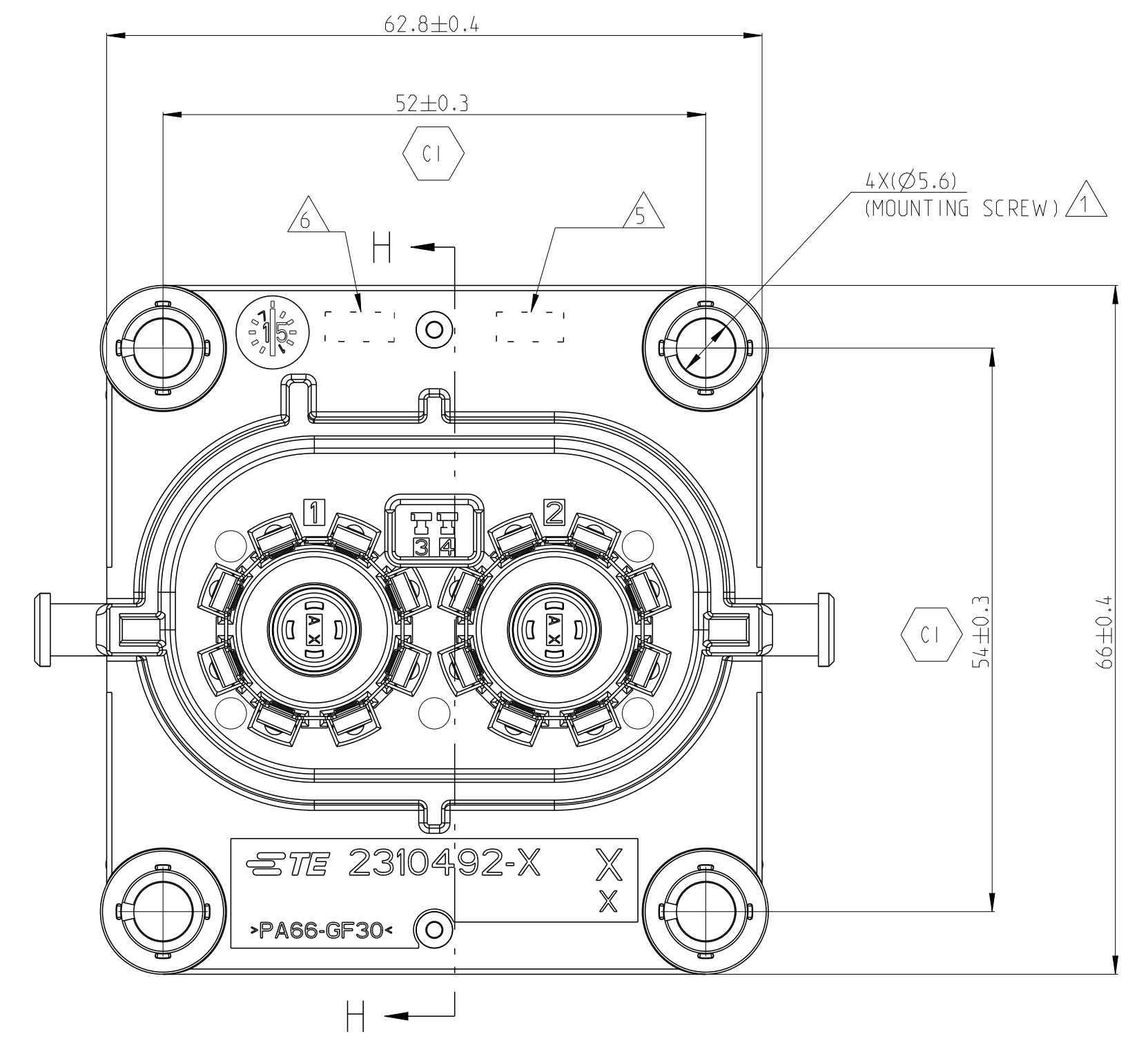
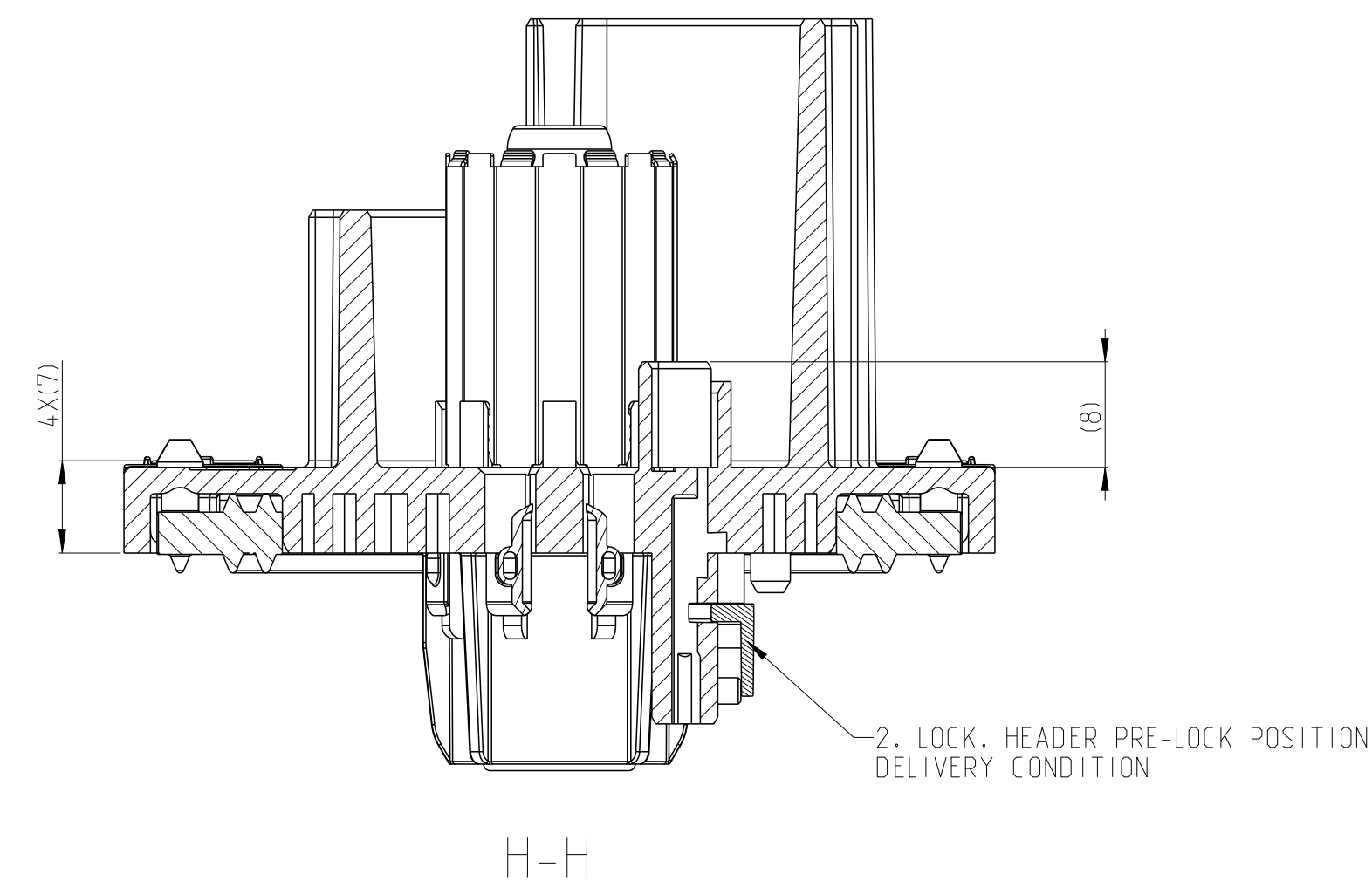
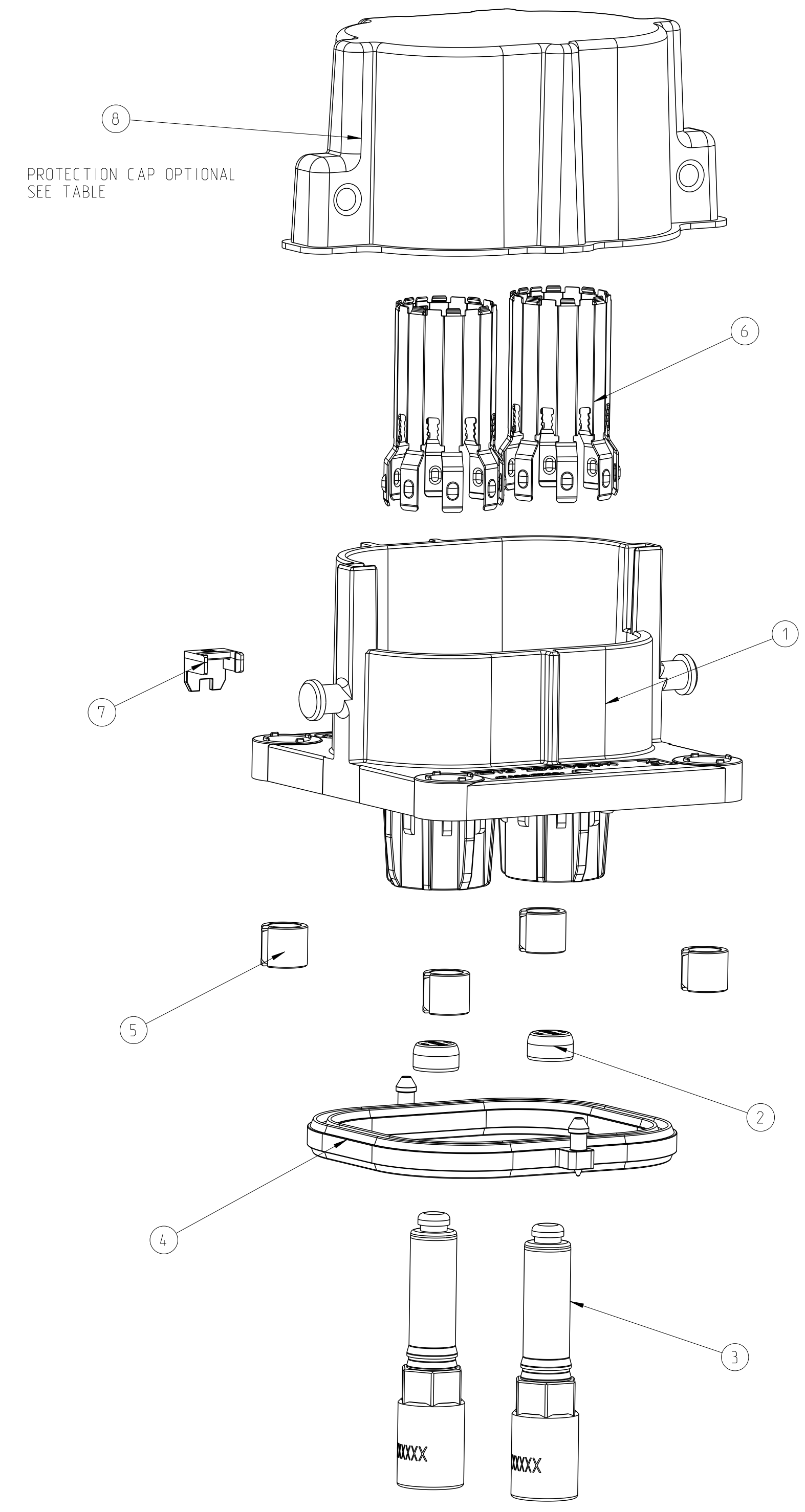


REVISIONS			
P/N	REV	DESCRIPTION	DATE
B	SEE ECR-18-012813/ECR-18-012319		01AUG18
C	REVISED ECR-18-017100		07NOV2018
C1	REVISED ECR-19-004927		09APR2019



▲ MOUNTING SCREW MS WITH MINIMUM SCREW HEAD Ø10MM. MAXIMUM SCREW HEAD Ø12MM. RECOMMENDED TIGHTENING TORQUE OF THE SCREW 6±0.5NM. THREAD ENGAGEMENT ACCORDING TO TE-DRAWING NO. 114-94032

▲ RECOMMENDED TIGHTENING TORQUE OF THE SCREW M6:8±NM. A SCREW RETENTION WILL BE RECOMMENDED

3 SUITABLE HVIL-CONTACTS: TE P/N: 1418760-3

4 FIRE RETARTANT CLASS FOR PLASTIC PART MATERIAL REFER TO TABLE AS BELOW:

P/N	FIRE RETARTANT CLASS OF PLASTIC MATERIAL (NOT INCLUDE DUST CAP)	P/N	FIRE RETARTANT CLASS OF PLASTIC MATERIAL (NOT INCLUDE DUST CAP)
2322122-1	HB	3-2322122-1	VO
2322122-2			
2322122-3			
2322122-4			
2322122-5			
2322122-6			
2322122-7			
2322122-8			
1-2322122-1			
1-2322122-2			
1-2322122-3			
1-2322122-4			
1-2322122-5			
1-2322122-6			
1-2322122-7			
1-2322122-8			
2-2322122-1	HB	5-2322122-1	VO
2-2322122-2			
2-2322122-3			
2-2322122-4			
2-2322122-5			
2-2322122-6			
2-2322122-7			
2-2322122-8			

▲ ASSY. P/N MARKING
▲ PRODUCTION CODE
7 OPERATION TEMPERATURE: -40-125°C

ITEM	FEATURE	TE-PART-NO 90 DEG	TE-PART-NO 180 DEG
8	MATING CONNECTOR: 2POS.BMM HV.REC HSG. ASSY. SEALED	2310922 2141154	2310923 2177053
9	INTERFACE DRAWING FOR MATING SIDE	114-94034	
10	INTERFACE DRAWING FOR MOUNTING SIDE	114-94032	
11	PRODUCT-TSPEC	108-32233	108-32234
12	APPLICATION-SPEC	114-32213	

QTY PER ASSY PARTS	DESCRIPTION	MATERIAL	SURFACE COLOUR	WEIGHT [g]	ITEM
1	2. LOCK, IL. HEADER	PA6-(GF/GB) HB	GRAY SIM RAL 7037		7
1	2. LOCK, IL. HEADER	PA6-(GF) VO	RED SIM RAL 3000		7
2	SHIELDING SLEEVE	Cu-ALLOY	TIN PLATED		6
4	COMPRESSION DELIMITER, HV HEADER	CARBON STEEL	ZnNi - PLATING		5
1	RADIAL SEAL 56.4 X 50	SILICONE RUBBER HB	NATURE		4
1	RADIAL SEAL 56.4 X 50	SILICONE RUBBER VO	DARK GREY		4
2	PIN DIA 8.0. CONTACT	Cu-ALLOY	SILVER PLATED		3
2	PROTECTION COVER 8MM HV	PA6-(GF/GB) HB	NATURE		2
2	PROTECTION COVER 8MM HV	PA6-(GF/GB) HB	BLACK SIM RAL 9005		2
2	PROTECTION COVER 8MM HV	PA66 VO	WHITE SIM RAL 9010		2
2	PROTECTION COVER 8MM HV	PA66 VO	BLACK SIM RAL 9005		2
1	2POS.PIN DIA 8.0.PIN HSG.90,SEALED	PA66-GF HB			1
1	2POS.PIN DIA 8.0.PIN HSG.90,SEALED	PA66-GF HB			1
1	2POS.PIN DIA 8.0.PIN HSG.90,SEALED	PA66-GF HB			1
1	2POS.PIN DIA 8.0.PIN HSG.90,SEALED	PA66-GF VO	ORANGE SIM RAL 2003		1
1	2POS.PIN DIA 8.0.PIN HSG.90,SEALED	PA66-GF VO			1
1	2POS.PIN DIA 8.0.PIN HSG.90,SEALED	PA66-GF VO			1
1	2POS.PIN DIA 8.0.PIN HSG.90,SEALED	PA66-GF VO			1
1	2POS.PIN DIA 8.0.PIN HSG.90,SEALED	PA66-GF VO			1

TE-ASSY-NO.	COD.	DESCRIPTION	TE-ASSY-NO.	TE-PART-NO.	DESCRIPTION	MATERIAL	SURFACE COLOUR	WEIGHT [g]	QTY	ITEM
3-2322122-8	D	2POS.PIN DIA 8.0.PIN HSG.90,ASSY PROTECTION CAP	9-2208100-1	2POS. PROTECTION CAP	PS	BLACK SIM RAL 9005	(3.3)	1	8	
3-2322122-7	C	2POS.PIN DIA 8.0.PIN HSG.90,ASSY PROTECTION CAP	9-2208100-1	2POS. PROTECTION CAP	PS	BLACK SIM RAL 9005	(3.3)	1	8	
3-2322122-6	B	2POS.PIN DIA 8.0.PIN HSG.90,ASSY PROTECTION CAP	9-2208100-1	2POS. PROTECTION CAP	PS	BLACK SIM RAL 9005	(3.3)	1	8	
3-2322122-5	A	2POS.PIN DIA 8.0.PIN HSG.90,ASSY PROTECTION CAP	9-2208100-1	2POS. PROTECTION CAP	PS	BLACK SIM RAL 9005	(3.3)	1	8	
2322122-8	D	2POS.PIN DIA 8.0.PIN HSG.90,ASSY PROTECTION CAP	9-2208100-1	2POS. PROTECTION CAP	PS	BLACK SIM RAL 9005	(3.3)	1	8	
2322122-7	C	2POS.PIN DIA 8.0.PIN HSG.90,ASSY PROTECTION CAP	9-2208100-1	2POS. PROTECTION CAP	PS	BLACK SIM RAL 9005	(3.3)	1	8	
2322122-6	B	2POS.PIN DIA 8.0.PIN HSG.90,ASSY PROTECTION CAP	9-2208100-1	2POS. PROTECTION CAP	PS	BLACK SIM RAL 9005	(3.3)	1	8	
2322122-5	A	2POS.PIN DIA 8.0.PIN HSG.90,ASSY PROTECTION CAP	9-2208100-1	2POS. PROTECTION CAP	PS	BLACK SIM RAL 9005	(3.3)	1	8	

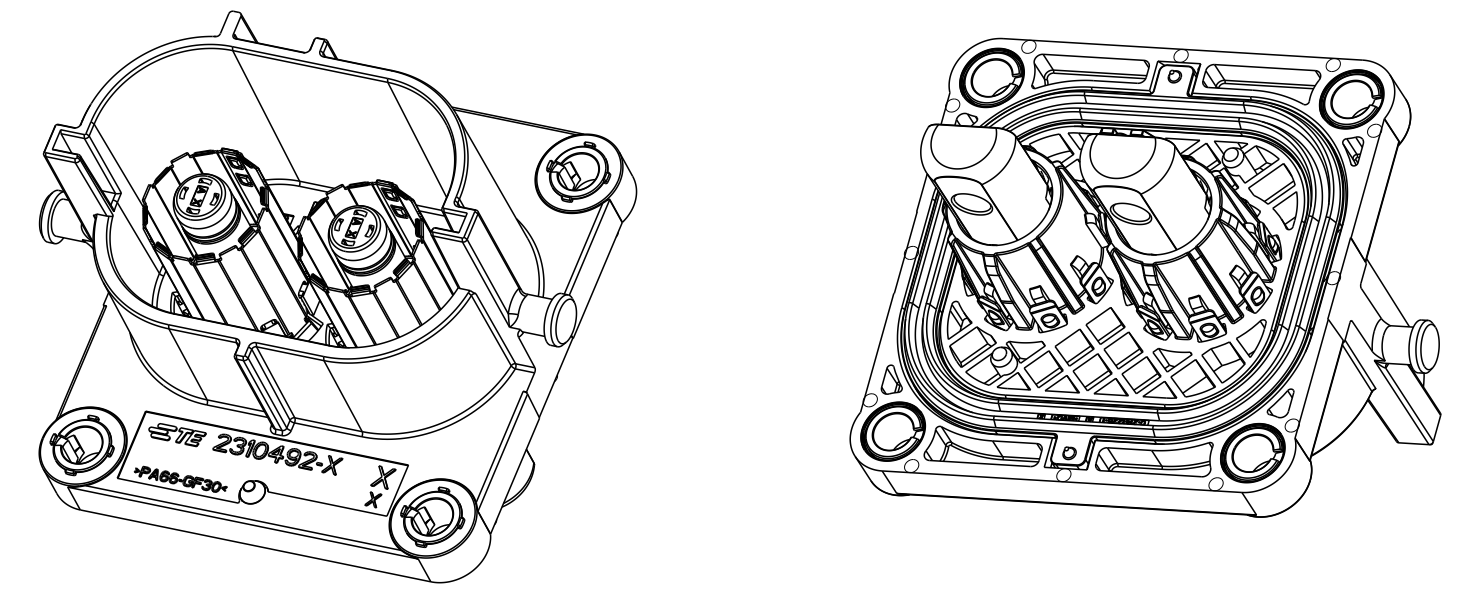
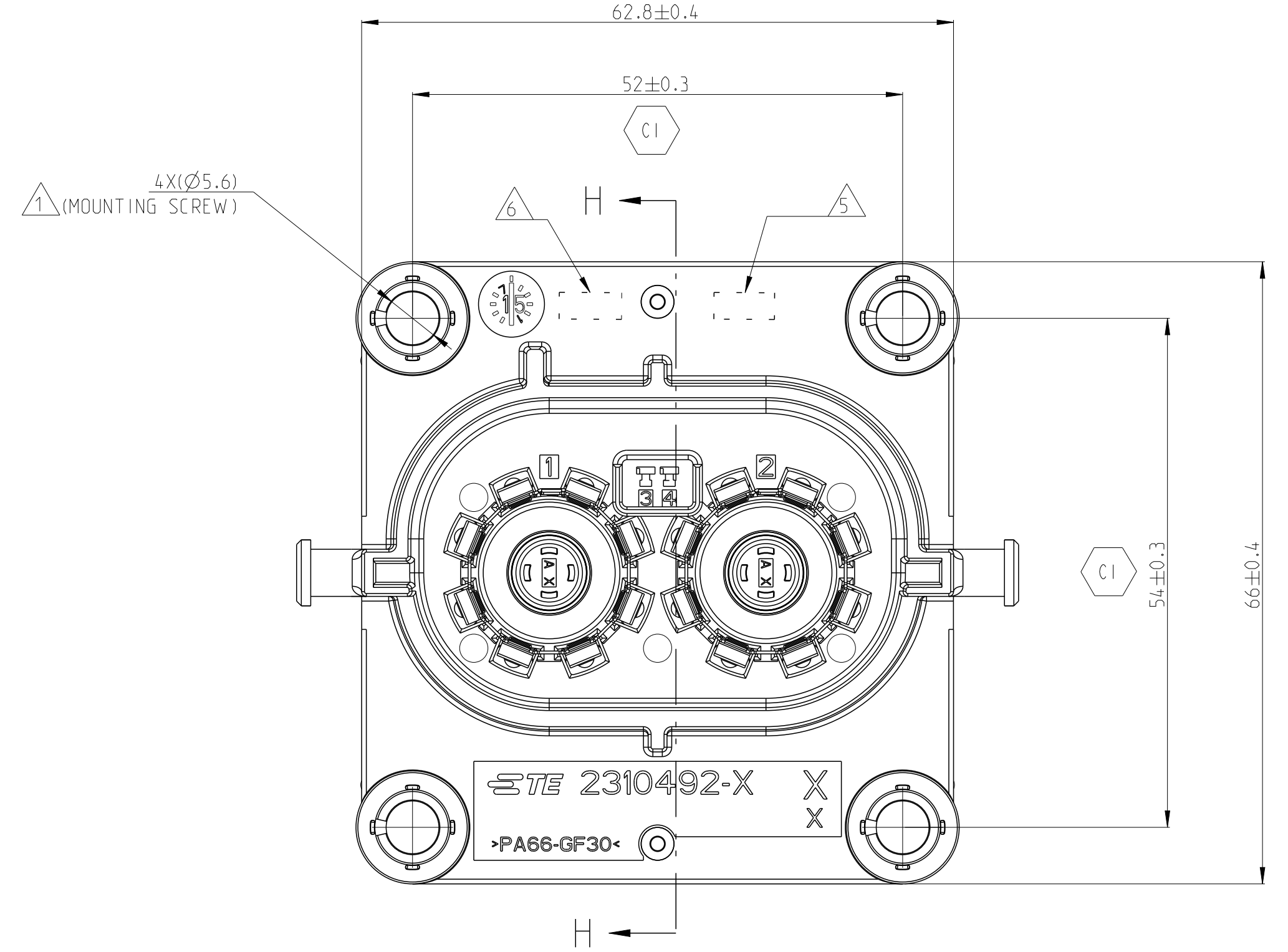
THIS DRAWING IS A CONTROLLED DOCUMENT. DATE: 09APR2019

TE Connectivity

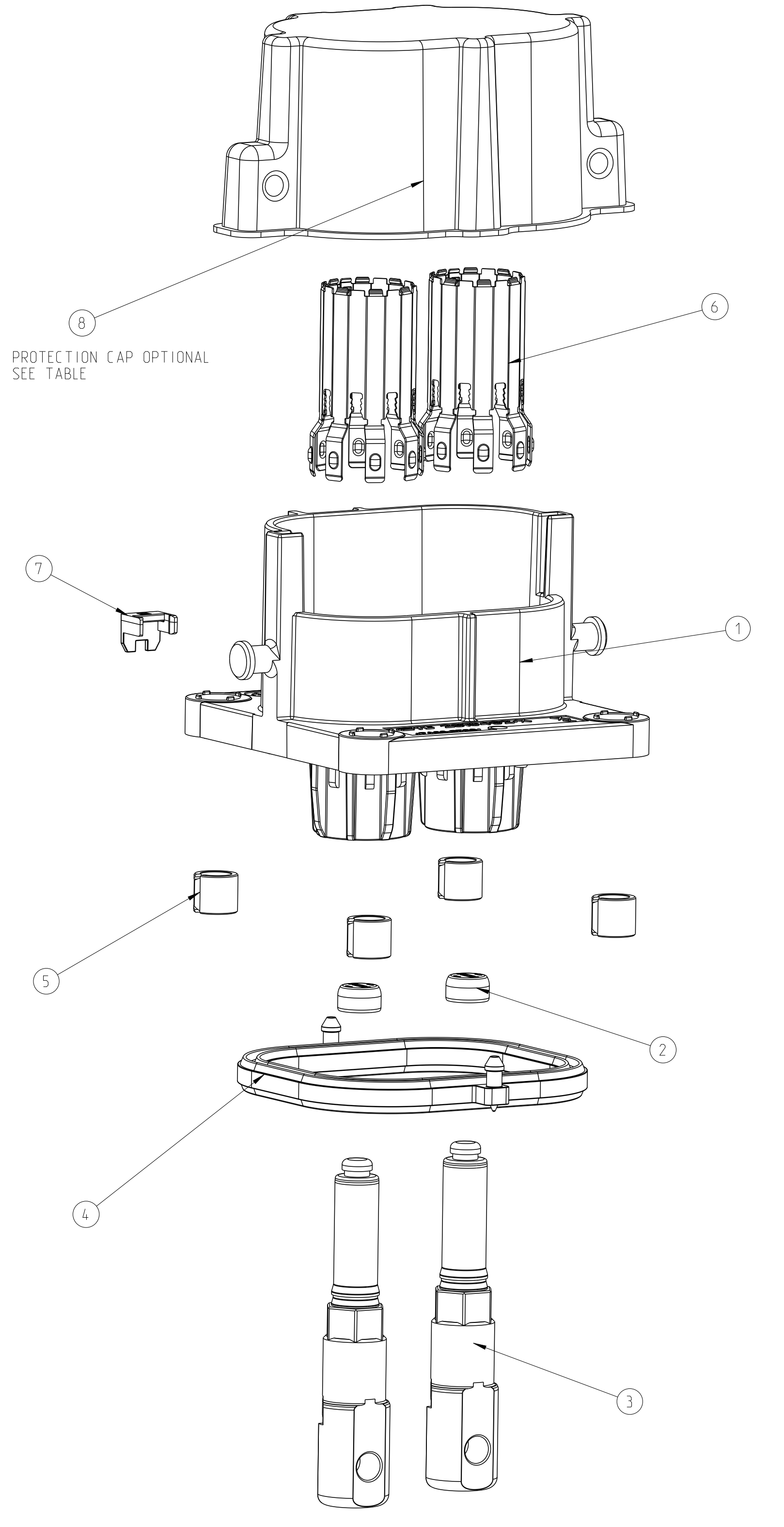
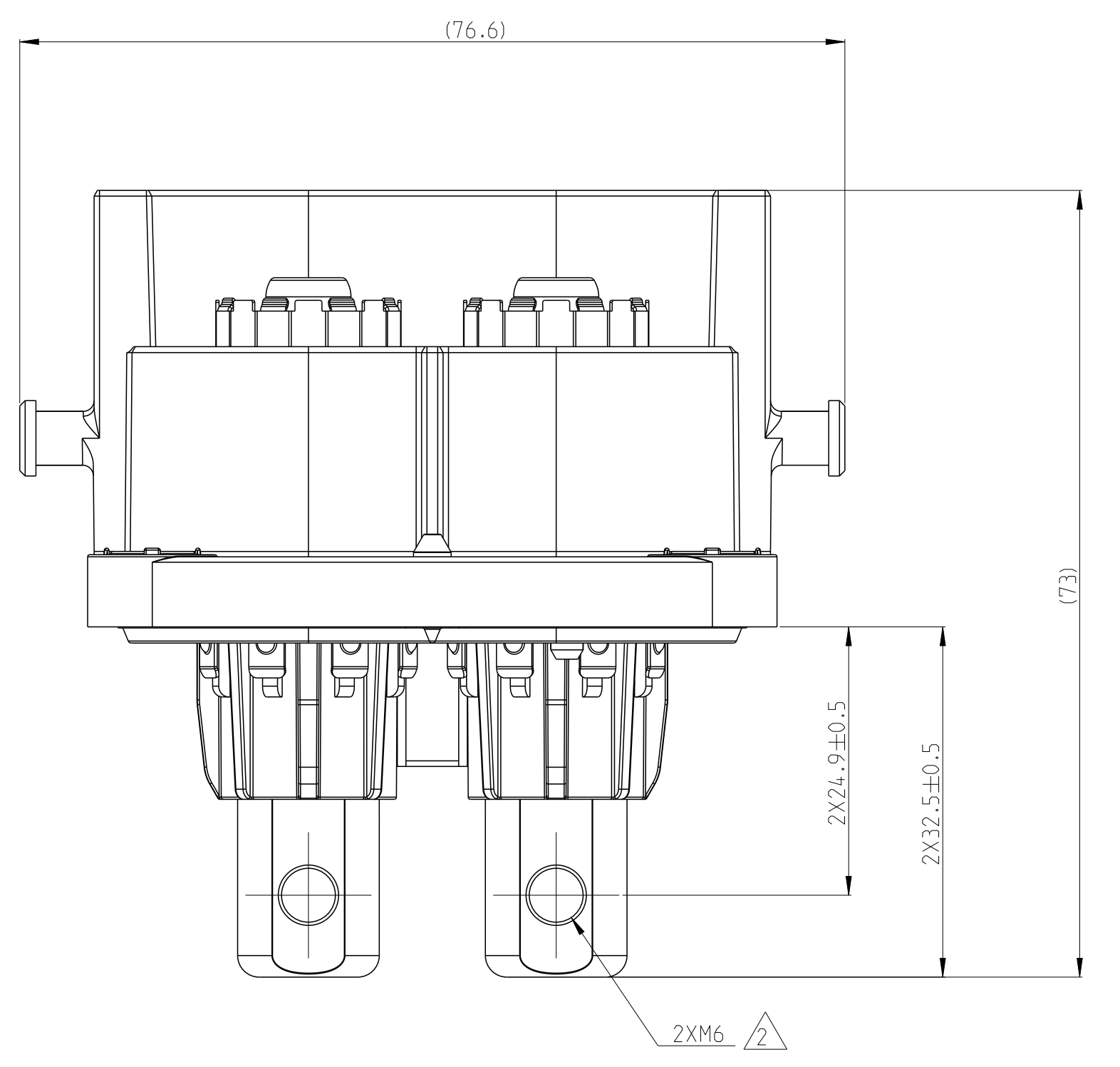
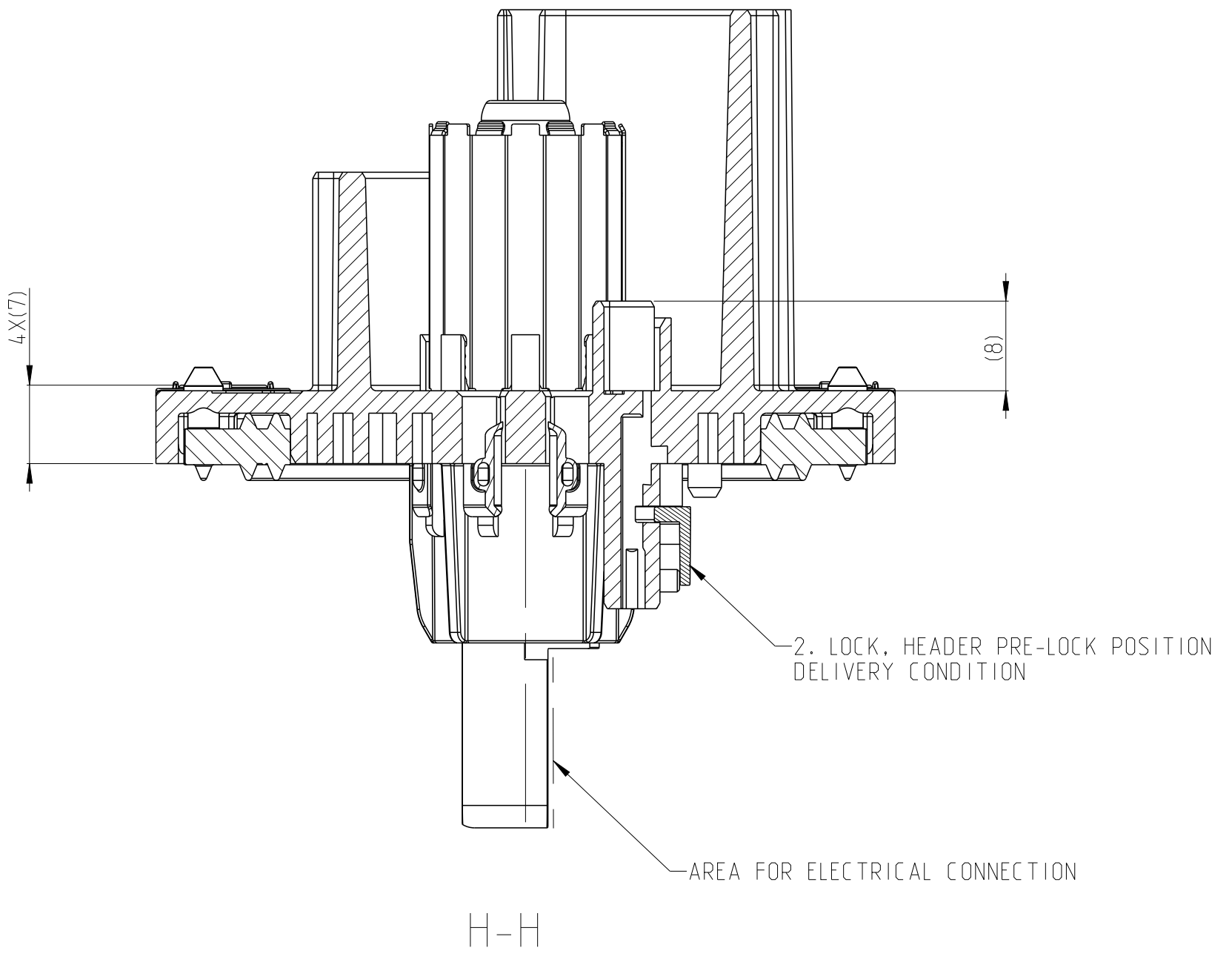
2POS.PIN DIA 8.0.PIN HSG.ASSY

SCALE: 2:1

REVISIONS			
REV	DATE	DESCRIPTION	APP'D
1		SEE SHEET 1	



1-1 AS SHOWN

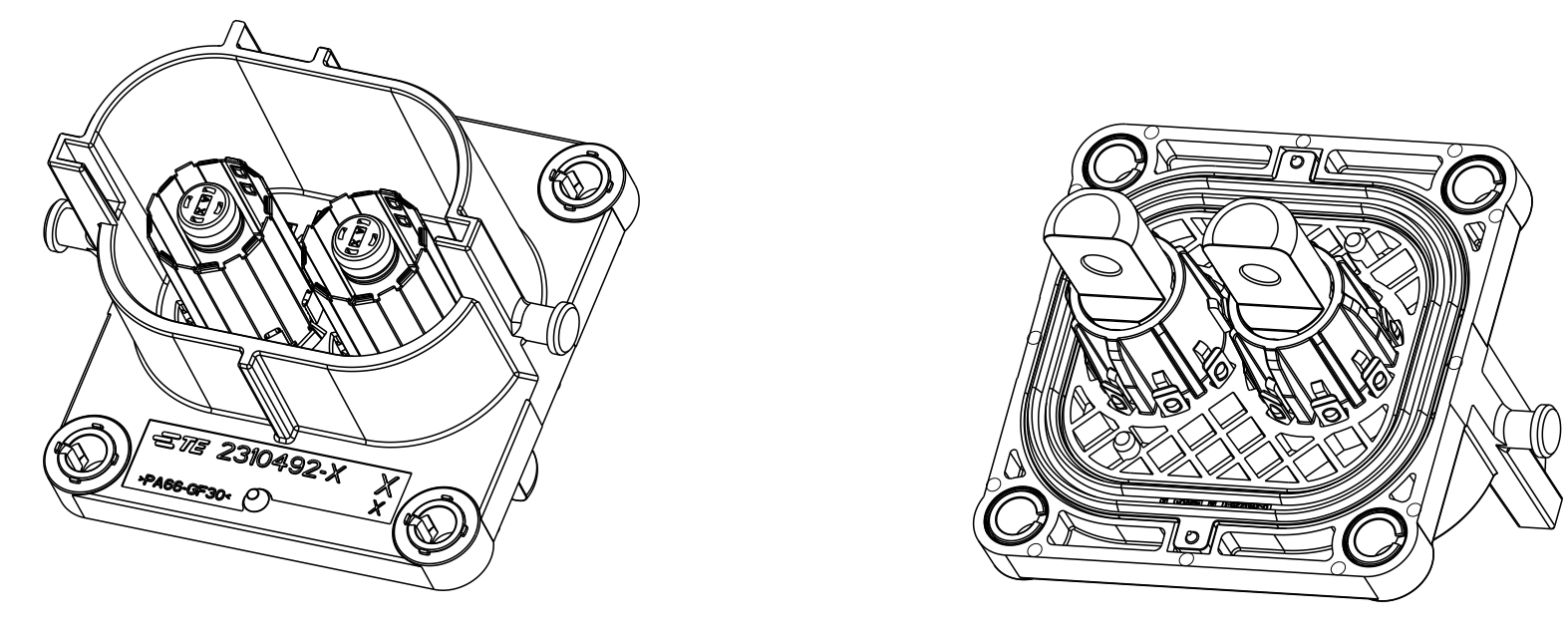
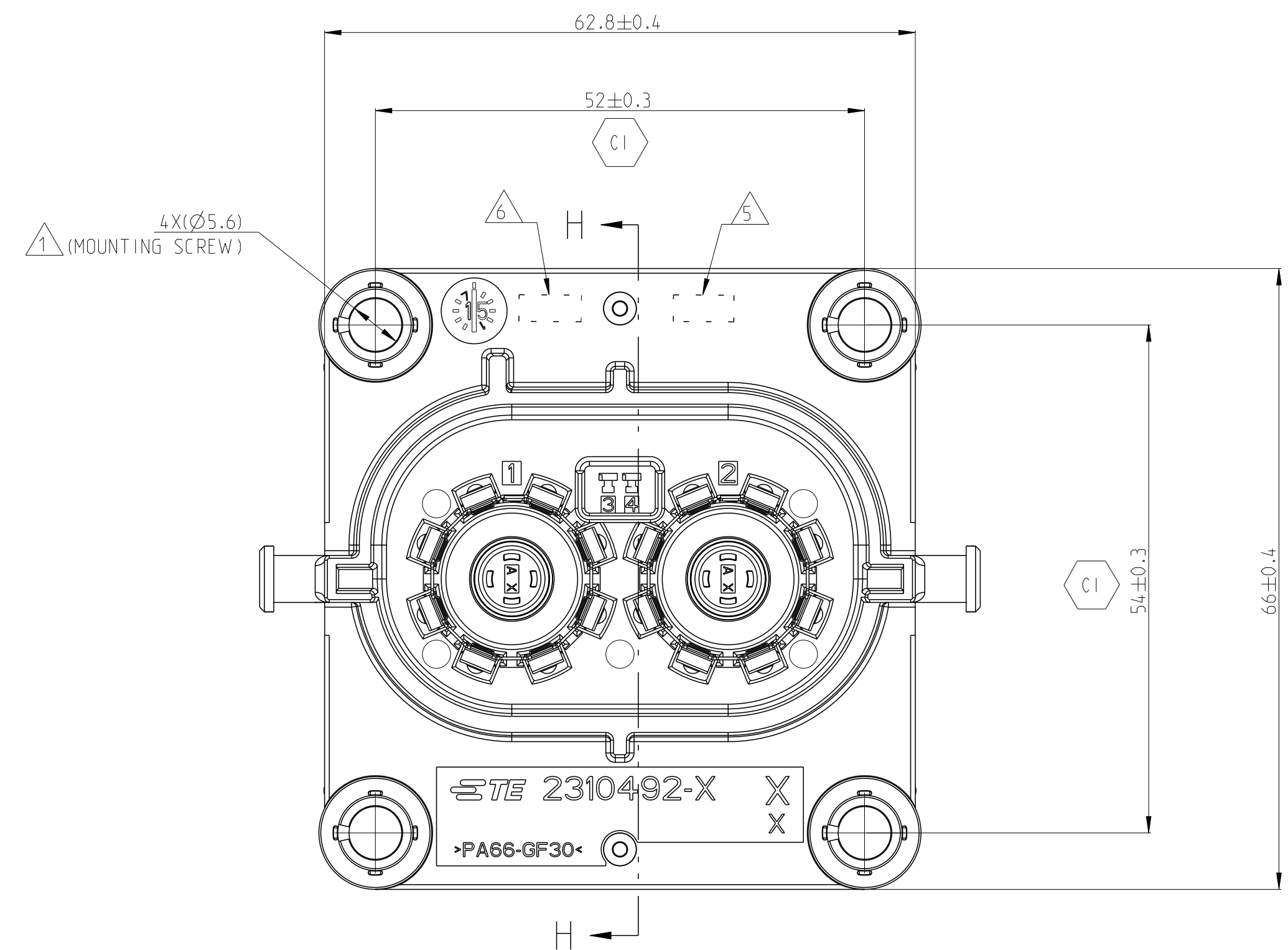


QTY	REV	REV	REV	REV	REV	REV	REV	DESCRIPTION	MATERIAL	SURFACE COLOUR	WEIGHT (g)	ITEM	
-	-	-	-	1	1	1	1	2 LOCK, IL. HEADER	PA6-(GF/GB) HB	GRAY SIM RAL 7037		7	
1	1	1	1	-	-	-	-	SHIELDING SLEEVE	PA6-(GF) VO	RED SIM RAL 3000		6	
2	2	2	2	2	2	2	2	COMPRESSION DELIMITER, HV HEADER	CU-ALLOY	TIN PLATED		5	
4	4	4	4	4	4	4	4	RADIAL SEAL 56.4 X 50	SILICONE RUBBER HB	NATURE		4	
-	-	-	-	1	1	1	1	PIN DIA 8.0. PIN. M6	SILICONE RUBBER VO	DARK GREY		4	
1	1	1	1	-	-	-	-		CU-ALLOY	SILVER PLATED		3	
2	2	2	2	2	2	2	2	PROTECTION COVER 8MM HV	PA6-(GF/GB) HB	NATURE		2	
-	-	-	-	2	-	2	-		PA6-(GF/GB) HB	BLACK SIM RAL 9005		2	
2	-	2	-	-	-	-	-	2POS.PIN DIA 8.0.PIN HSG.90. SEALED	PA66 VO	WHITE SIM RAL 9010		1	
-	2	-	2	-	-	-	-		PA66 VO	BLACK SIM RAL 9005		1	
-	-	-	-	1	-	-	-		PA66-GF HB				1
-	-	-	-	-	1	-	-		PA66-GF HB				1
-	-	-	-	-	-	1	-		PA66-GF HB				1
-	-	-	-	-	-	-	1		PA66-GF VO	ORANGE SIM RAL 2003			1
4-2322122-4	4-2322122-3	4-2322122-2	4-2322122-1	1-2322122-4	1-2322122-3	1-2322122-2	1-2322122-1	DESCRIPTION	MATERIAL	SURFACE COLOUR	WEIGHT (g)	ITEM	
QTY PER ASSY PARTS													
PART LIST													

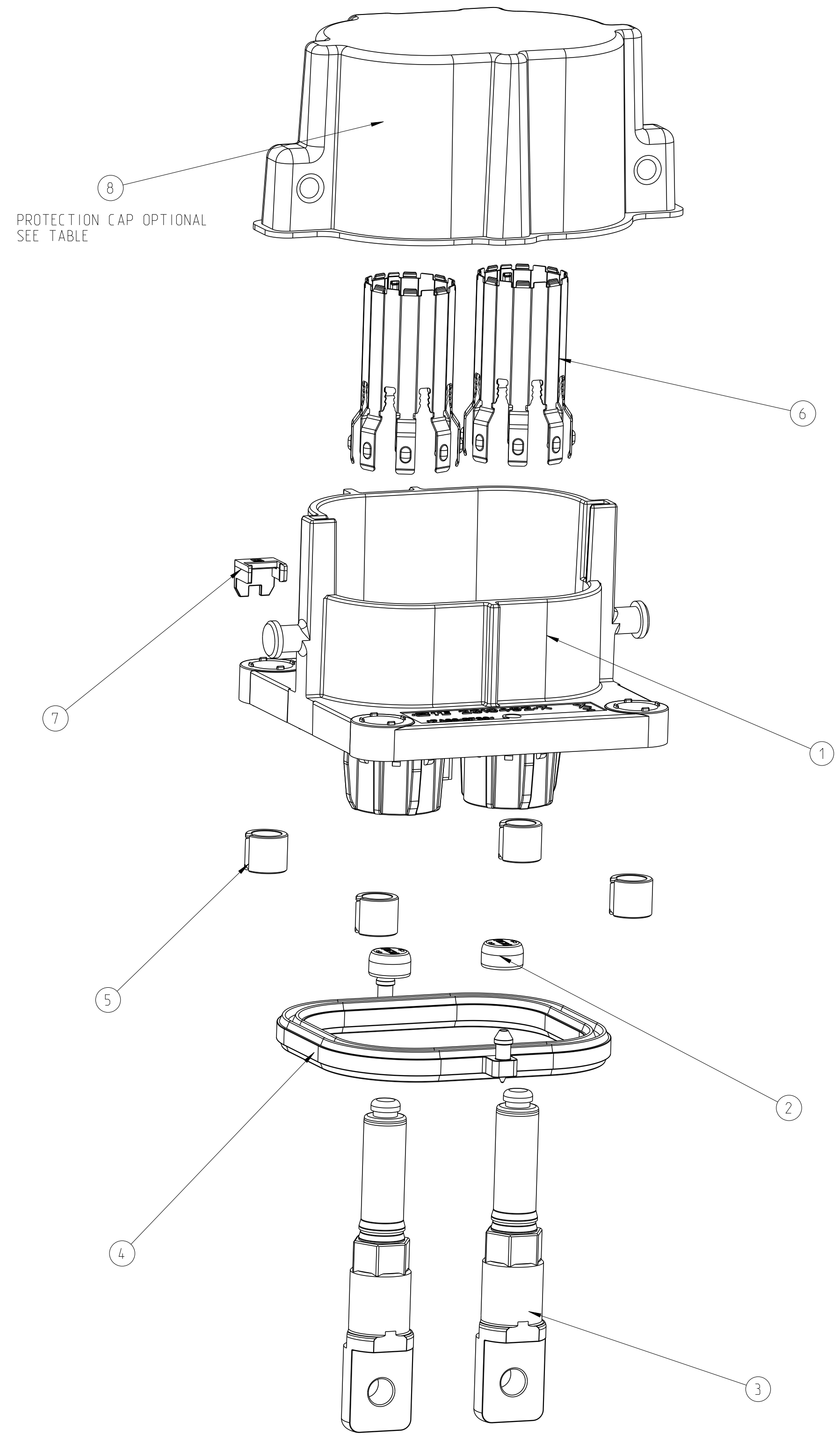
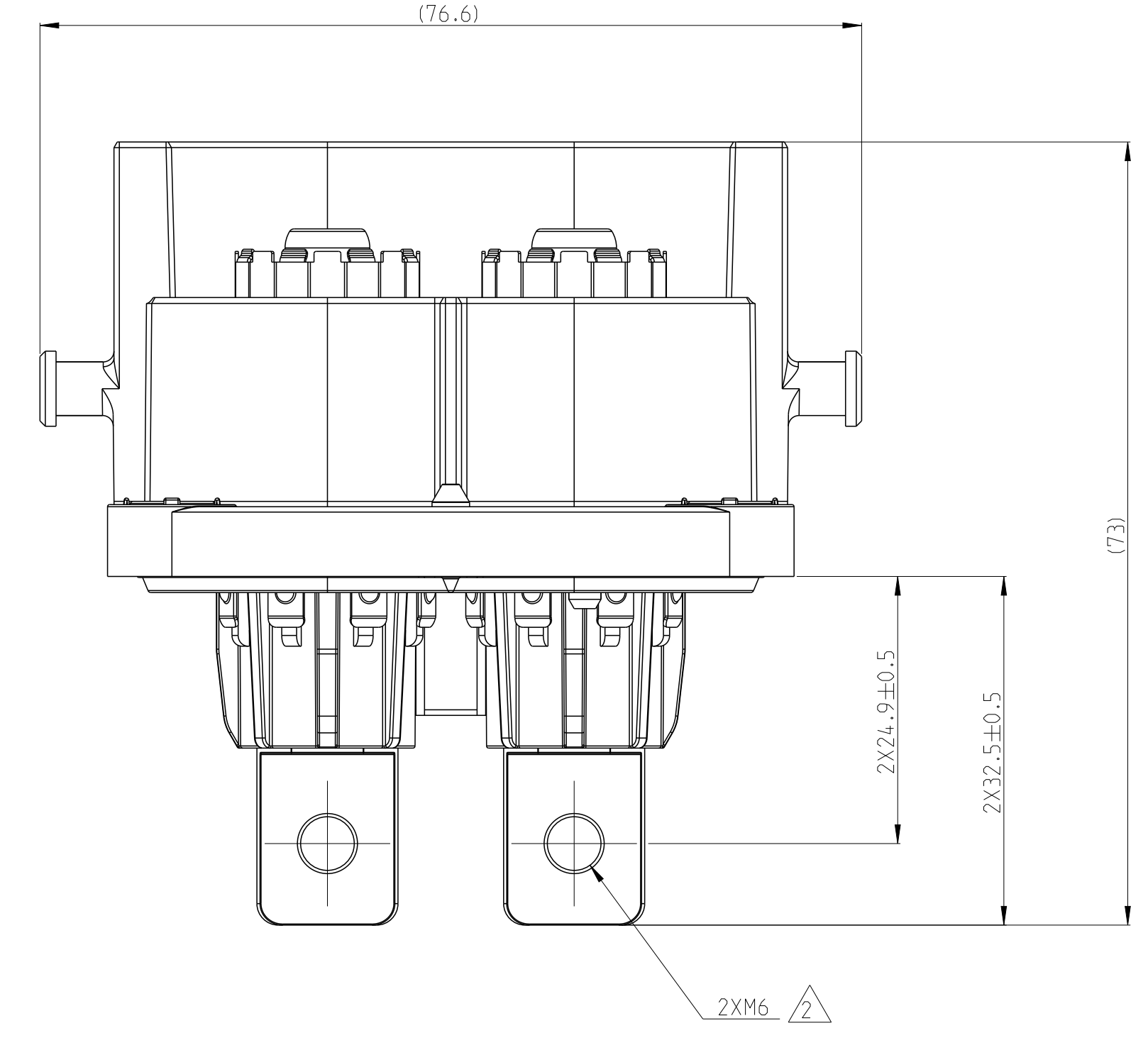
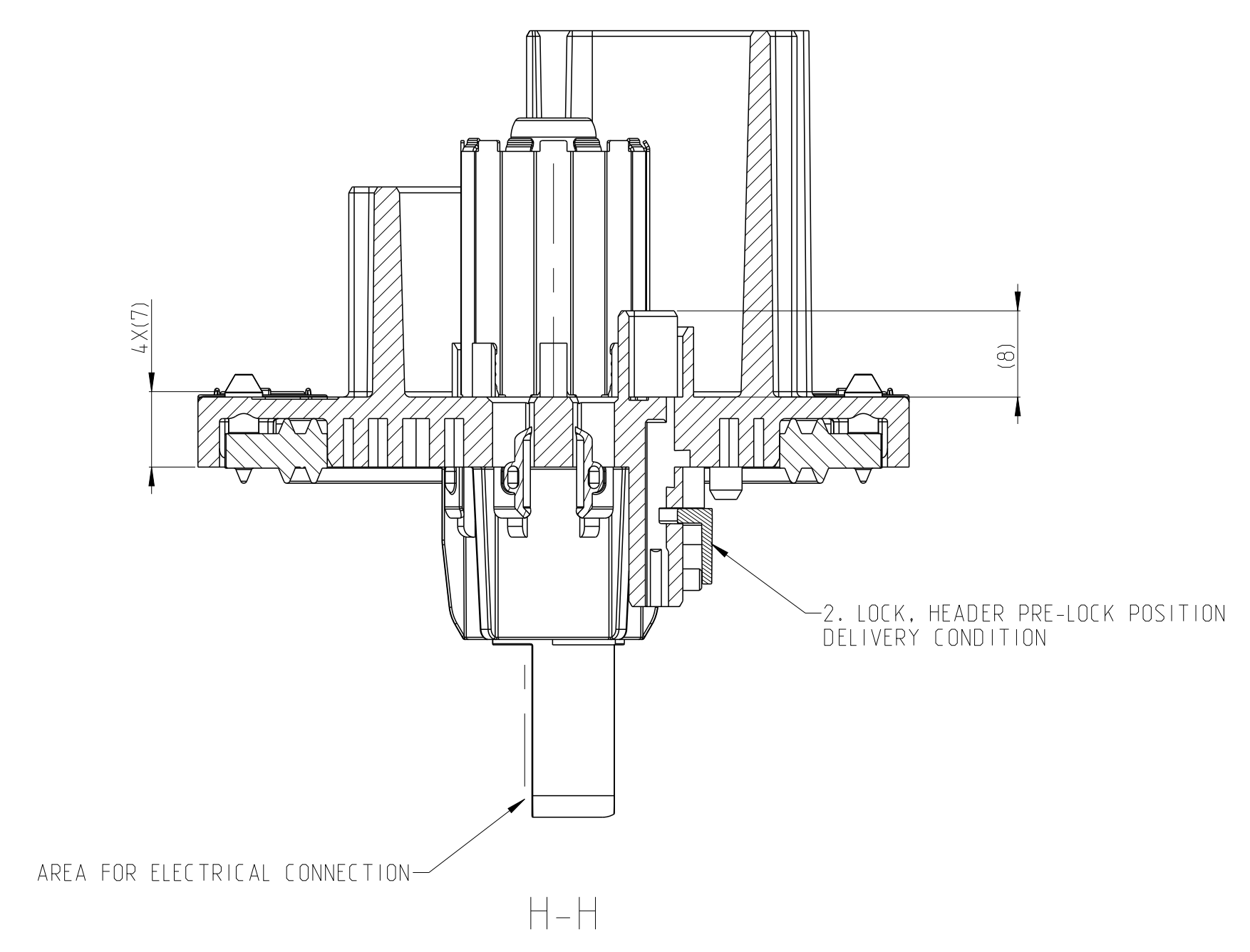
ITEM	QTY	REV	REV	REV	REV	REV	REV	DESCRIPTION	MATERIAL	SURFACE COLOUR	WEIGHT (g)	QTY	ITEM
4-2322122-8	D	2POS.PIN DIA 8.0.PIN HSG.90.ASSY BUSBAR M6 PROTECTION CAP	-	9-2208100-1	2POS. PROTECTION CAP	PS	BLACK SIM RAL 9005 (3.3)	1	8				
4-2322122-7	C	2POS.PIN DIA 8.0.PIN HSG.90.ASSY BUSBAR M6 PROTECTION CAP	3-2322122-4	-	2POS.PIN DIA 8.0.PIN HSG.90.ASSY BUSBAR M6	-	-	1	1-7				
4-2322122-6	B	2POS.PIN DIA 8.0.PIN HSG.90.ASSY BUSBAR M6 PROTECTION CAP	3-2322122-3	-	2POS. PROTECTION CAP	PS	BLACK SIM RAL 9005 (3.3)	1	8				
4-2322122-5	A	2POS.PIN DIA 8.0.PIN HSG.90.ASSY BUSBAR M6 PROTECTION CAP	3-2322122-2	-	2POS.PIN DIA 8.0.PIN HSG.90.ASSY BUSBAR M6	-	-	1	1-7				
1-2322122-8	D	2POS.PIN DIA 8.0.PIN HSG.90.ASSY BUSBAR M6 PROTECTION CAP	1-2322122-4	-	2POS. PROTECTION CAP	PS	BLACK SIM RAL 9005 (3.3)	1	8				
1-2322122-7	C	2POS.PIN DIA 8.0.PIN HSG.90.ASSY BUSBAR M6 PROTECTION CAP	1-2322122-3	-	2POS. PROTECTION CAP	PS	BLACK SIM RAL 9005 (3.3)	1	8				
1-2322122-6	B	2POS.PIN DIA 8.0.PIN HSG.90.ASSY BUSBAR M6 PROTECTION CAP	1-2322122-2	-	2POS.PIN DIA 8.0.PIN HSG.90.ASSY BUSBAR M6	-	-	1	1-7				
9-2322122-1	A	2POS.PIN DIA 8.0.PIN HSG.90.ASSY BUSBAR M6	1-2322122-1	-	2POS. PROTECTION CAP	PS	BLACK SIM RAL 9005 (3.3)	1	8				
1-2322122-5	A	2POS.PIN DIA 8.0.PIN HSG.90.ASSY BUSBAR M6 PROTECTION CAP	1-2322122-1	-	2POS.PIN DIA 8.0.PIN HSG.90.ASSY BUSBAR M6	-	-	1	1-7				

THIS DRAWING IS A CONTROLLED DOCUMENT. DATE: 09APR2019. DRAWN BY: J.L.L. CHECKED BY: S.Y. WANG. APPROVED BY: J.L.YIN. PRODUCT SPEC: 2310492-X. APPLICATION SPEC: PA66-GF30. MATERIAL: SEE TABLE. FINISH: SPRC-Z. CUSTOMER DRAWING-RESTRICTED CUSTOMER. SCALE: 2:1. SHEET 2 OF 4. REV C1.

REVISIONS			
REV	DATE	DESCRIPTION	BY
1		SEE SHEET 1	



2-1 AS SHOWN



QTY PER ASSY PARTS	DESCRIPTION	MATERIAL	SURFACE COLOUR	WEIGHT [g]	ITEM
1	2. LOCK, IL. HEADER	PA6-(GF) HB	GRAY SIM RAL 7037		7
1	SHIELDING SLEEVE	PA6-(GF) VO	RED SIM RAL 3000		6
1	COMPRESSION DELIMITER, HV HEADER	CARBON STEEL	ZnNi - PLATING		5
1	RADIAL SEAL 56.4 X 50	SILICONE RUBBER HB	NATURE		4
1	PIN DIA 8.0. PIN. M6	Cu-ALLOY	SILVER PLATED		3
2	PROTECTION COVER 8MM HV	PA6-(GF) HB	NATURE		2
2		PA66 VO	BLACK SIM RAL 9005		
2		PA66 VO	WHITE SIM RAL 9010		
2		PA66-GF HB	BLACK SIM RAL 9005	(144.4)	
1	2POS.PIN DIA 8.0.PIN HSG.90.SEALED	PA66-GF HB			1
1		PA66-GF HB			
1		PA66-GF HB			
1		PA66-GF VO	ORANGE SIM RAL 2003		
1		PA66-GF VO			
1		PA66-GF VO			

TE-ASSY-NO.	COD.	DESCRIPTION	TE-ASSY-NO.	TE-PART-NO.	DESCRIPTION	MATERIAL	SURFACE COLOUR	WEIGHT [g]	QTY	ITEM
5-2322122-8	D	2POS.PIN DIA 8.0.PIN HSG.90.ASSY BUSBAR M6 PROTECTION CAP	9-2208100-1	2POS. PROTECTION CAP	PS	BLACK SIM RAL 9005	(3.3)	1	8	
5-2322122-7	C	2POS.PIN DIA 8.0.PIN HSG.90.ASSY BUSBAR M6 PROTECTION CAP	9-2208100-1	2POS. PROTECTION CAP	PS	BLACK SIM RAL 9005	(3.3)	1	8	
5-2322122-6	B	2POS.PIN DIA 8.0.PIN HSG.90.ASSY BUSBAR M6 PROTECTION CAP	9-2208100-1	2POS. PROTECTION CAP	PS	BLACK SIM RAL 9005	(3.3)	1	8	
5-2322122-5	A	2POS.PIN DIA 8.0.PIN HSG.90.ASSY BUSBAR M6 PROTECTION CAP	9-2208100-1	2POS. PROTECTION CAP	PS	BLACK SIM RAL 9005	(3.3)	1	8	

TE-ASSY-NO.	COD.	DESCRIPTION	TE-ASSY-NO.	TE-PART-NO.	DESCRIPTION	MATERIAL	SURFACE COLOUR	WEIGHT [g]	QTY	ITEM
2-2322122-8	D	2POS.PIN DIA 8.0.PIN HSG.90.ASSY BUSBAR M6 PROTECTION CAP	9-2208100-1	2POS. PROTECTION CAP	PS	BLACK SIM RAL 9005	(3.3)	1	8	
2-2322122-7	C	2POS.PIN DIA 8.0.PIN HSG.90.ASSY BUSBAR M6 PROTECTION CAP	9-2208100-1	2POS. PROTECTION CAP	PS	BLACK SIM RAL 9005	(3.3)	1	8	
2-2322122-6	B	2POS.PIN DIA 8.0.PIN HSG.90.ASSY BUSBAR M6 PROTECTION CAP	9-2208100-1	2POS. PROTECTION CAP	PS	BLACK SIM RAL 9005	(3.3)	1	8	
2-2322122-5	A	2POS.PIN DIA 8.0.PIN HSG.90.ASSY BUSBAR M6 PROTECTION CAP	9-2208100-1	2POS. PROTECTION CAP	PS	BLACK SIM RAL 9005	(3.3)	1	8	

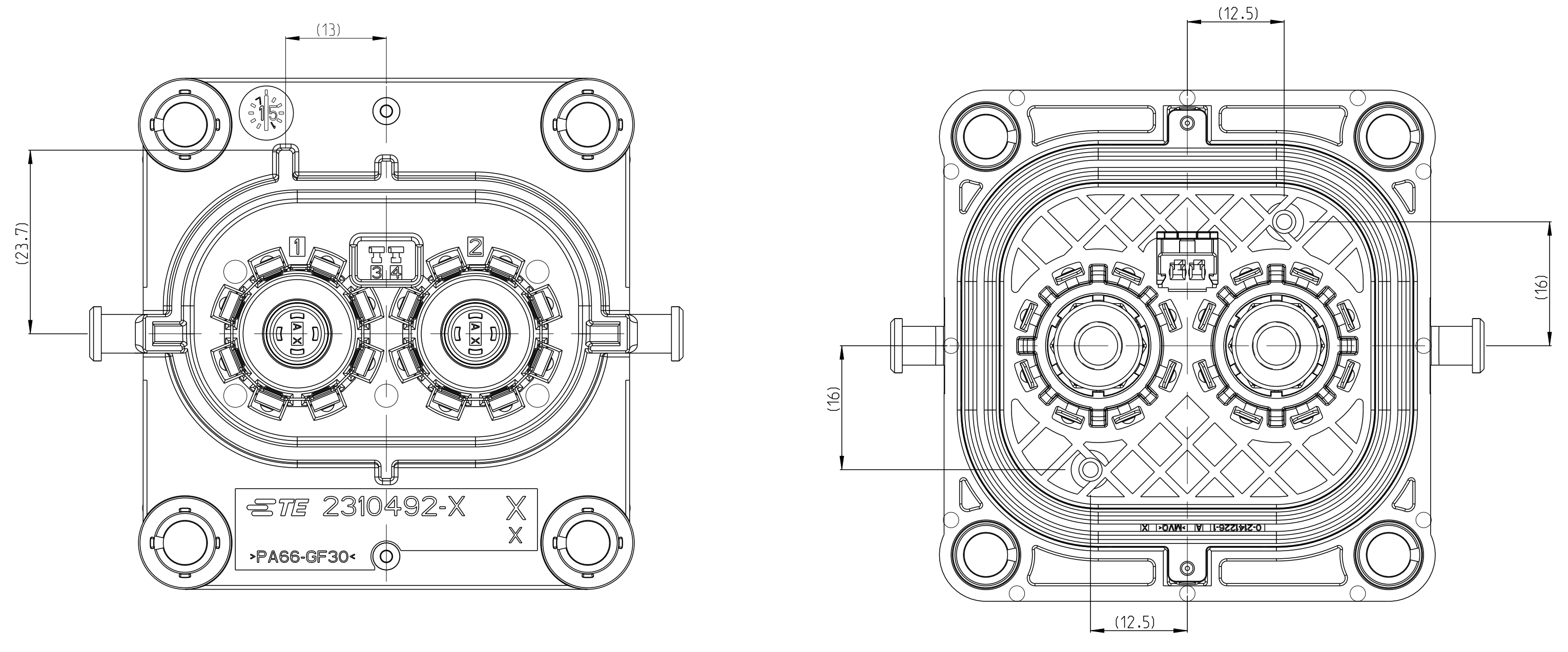
THIS DRAWING IS A CONTROLLED DOCUMENT. DATE: 09APR2019. DRAWN BY: J.L.L. CHECKED BY: S.Y.WANG. APPROVED BY: J.Y.LIN. DIMENSIONS: UNIT: MILLIMETER. TOLERANCES UNLESS OTHERWISE SPECIFIED: DIMENSIONS: Ø: ±0.5, 0.5: ±0.5, 1: ±0.5, 2: ±0.5, 3: ±0.5, 4: ±0.5, 5: ±0.5, 6: ±0.5, 8: ±0.5, 10: ±0.5, 12: ±0.5, 15: ±0.5, 20: ±0.5, 25: ±0.5, 30: ±0.5, 40: ±0.5, 50: ±0.5, 60: ±0.5, 80: ±0.5, 100: ±0.5. MATERIAL: SEE TABLE. FINISH: SPEC. 2. CUSTOMER DRAWING-RESTRICTED CUSTOMER. SCALE: 2:1. SHEET 3 OF 4. REV C1.

REVISIONS			
NO.	DATE	DESCRIPTION	BY
1		SEE SHEET 1	

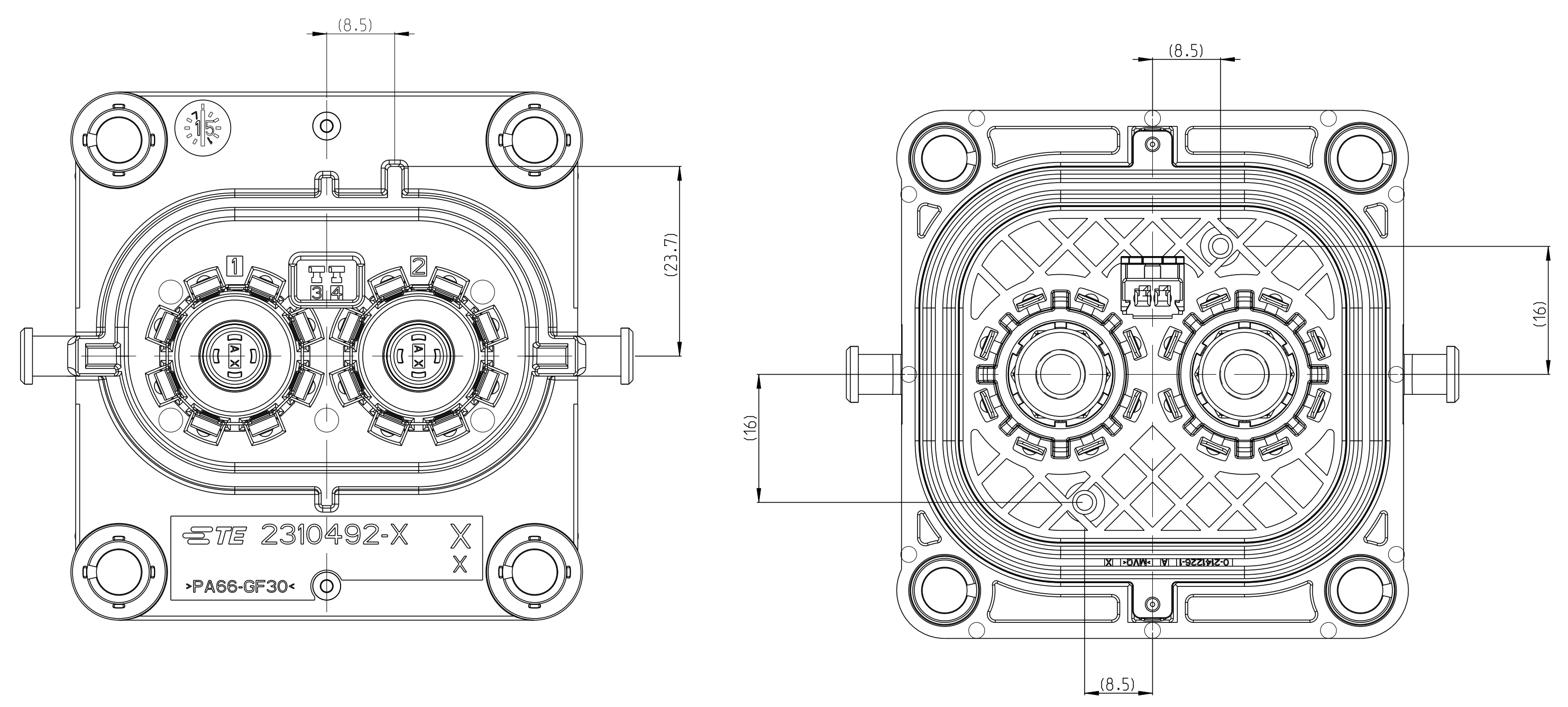
CODING DEFINITION FOR ALL VARIANT

ACCORDING TO INTERFACE DRAWING: 114-94034 AND 114-94032

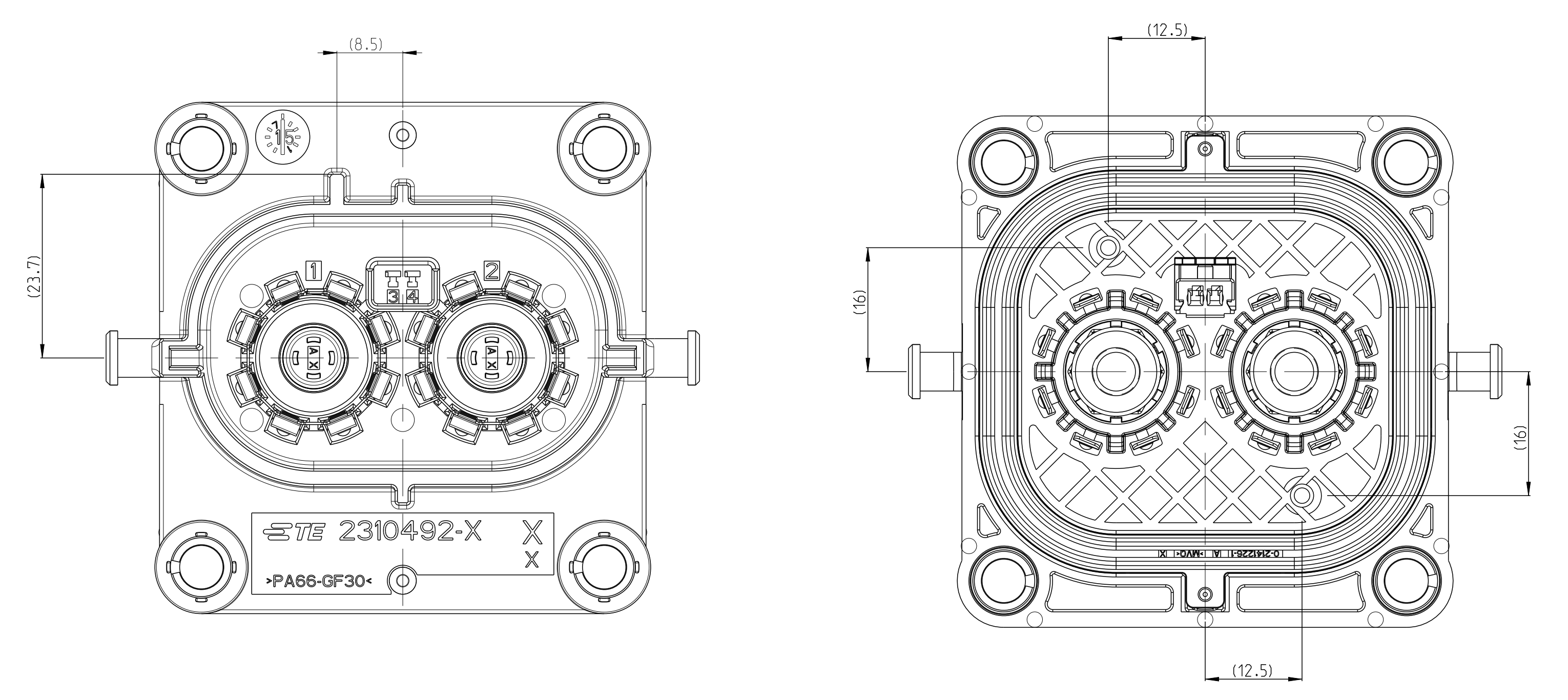
CODING A



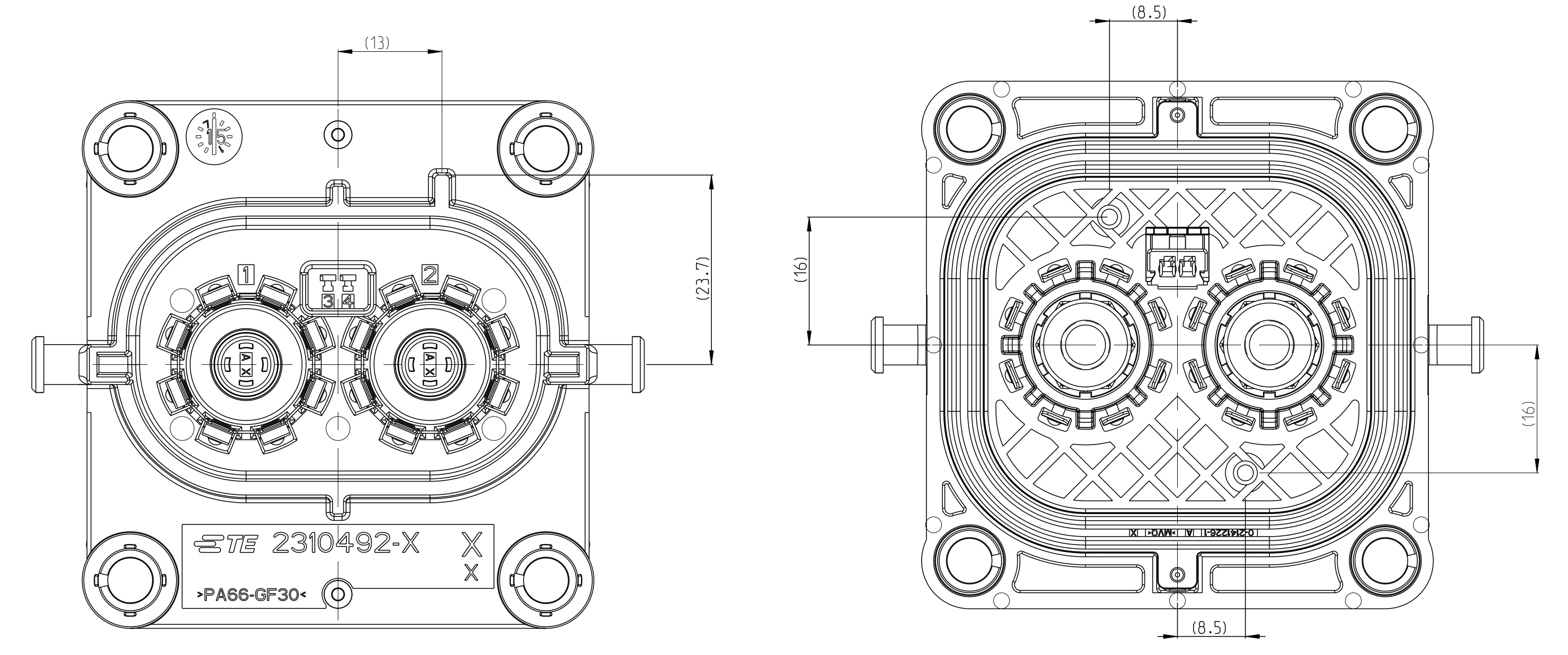
CODING C



CODING B



CODING D



THIS DRAWING IS A CONTROLLED DOCUMENT.

DATE: 09APR2019	DRN: J.L.L.
CHK: S.Y.WANG	24 JUL 2017
APPROV: 02AUG2017	APPROV: S.Y.WANG
PRODUCT SPEC: 1.1	PRODUCT SPEC: 1.1
APPLICATION SPEC: 1.1	APPLICATION SPEC: 1.1
REVISION: 1	REVISION: 1

NAME: 2POS.PIN DIA 8.0PIN HSG.ASSY

SCALE: 2:1

SHEET: 4 of 4

REV: C1

MATERIAL: SEE TABLE

FINISH: SPEC 2

CUSTOMER DRAWING-RESTRICTED CUSTOMER

RESTRICTED TO: CUSTOMER