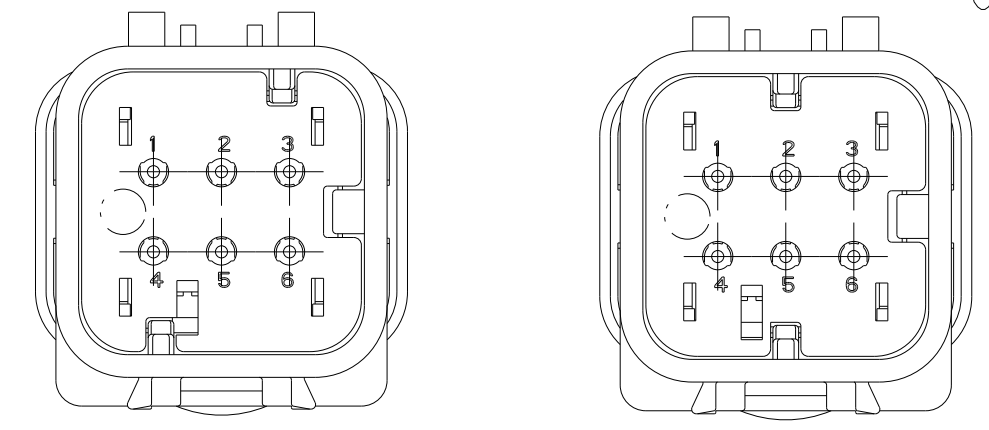
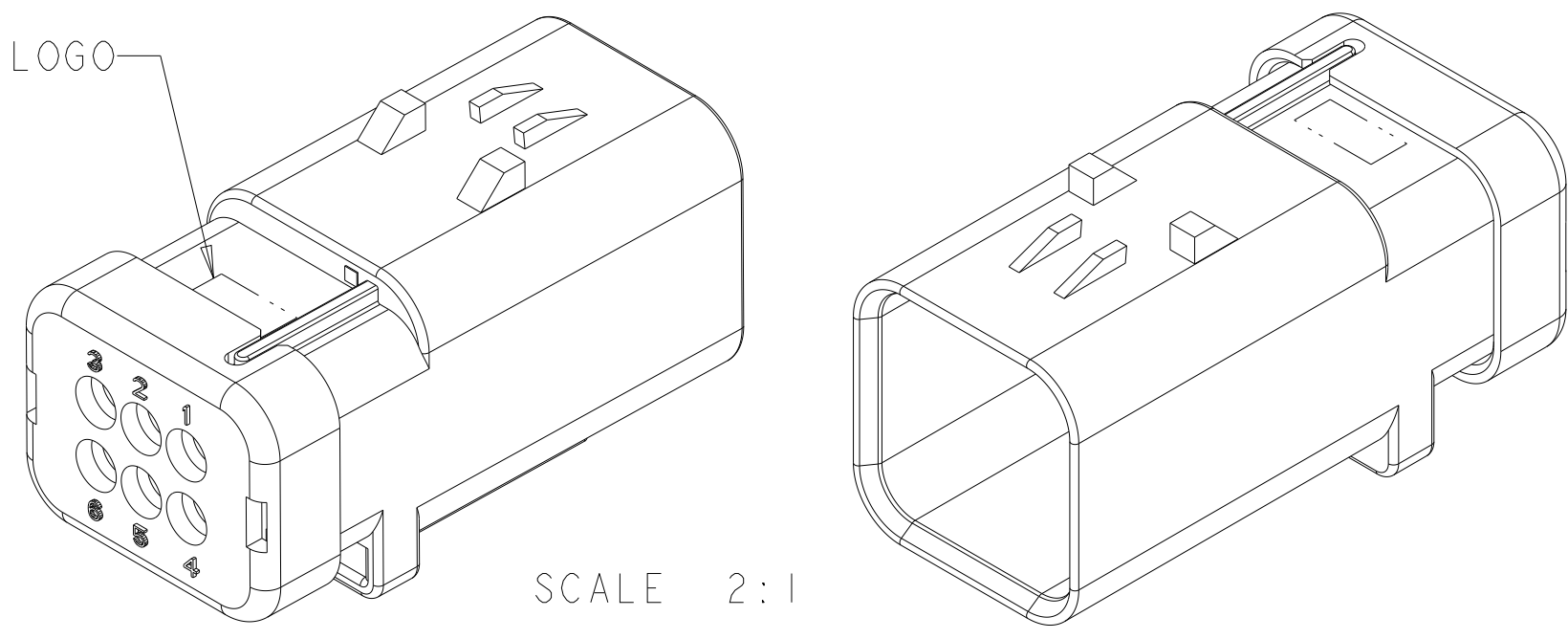


THIS DRAWING IS UNPUBLISHED. RELEASED FOR PUBLICATION. ALL RIGHTS RESERVED.

REVISIONS				
P	LTR	DESCRIPTION	DATE	APVD
A		NEW RELEASE	08APR2021	MK BC



COMPANY LOGO



1 MATERIAL: 15% FIBERGLASS REINFORCED PBT
COLOR: GRAY

2 MATERIAL: 15% FIBERGLASS REINFORCED PBT
COLOR: (SEE TABLE)

3 MATERIAL: SILICONE
COLOR: LT GRAY

4. RECOMMENDED WIRE DIAMETER RANGE IS 1.30 TO 2.54mm.

5. RECOMMENDED BACKSHELLS:

STRAIGHT EXIT

A. 2292863-1 SMOOTH WIRE EXIT

B. 2292863-2 NCI6/NWI3 CONDUIT WIRE EXIT

C. 2292863-3 NCI2/NWI0 CONDUIT WIRE EXIT

90° EXIT

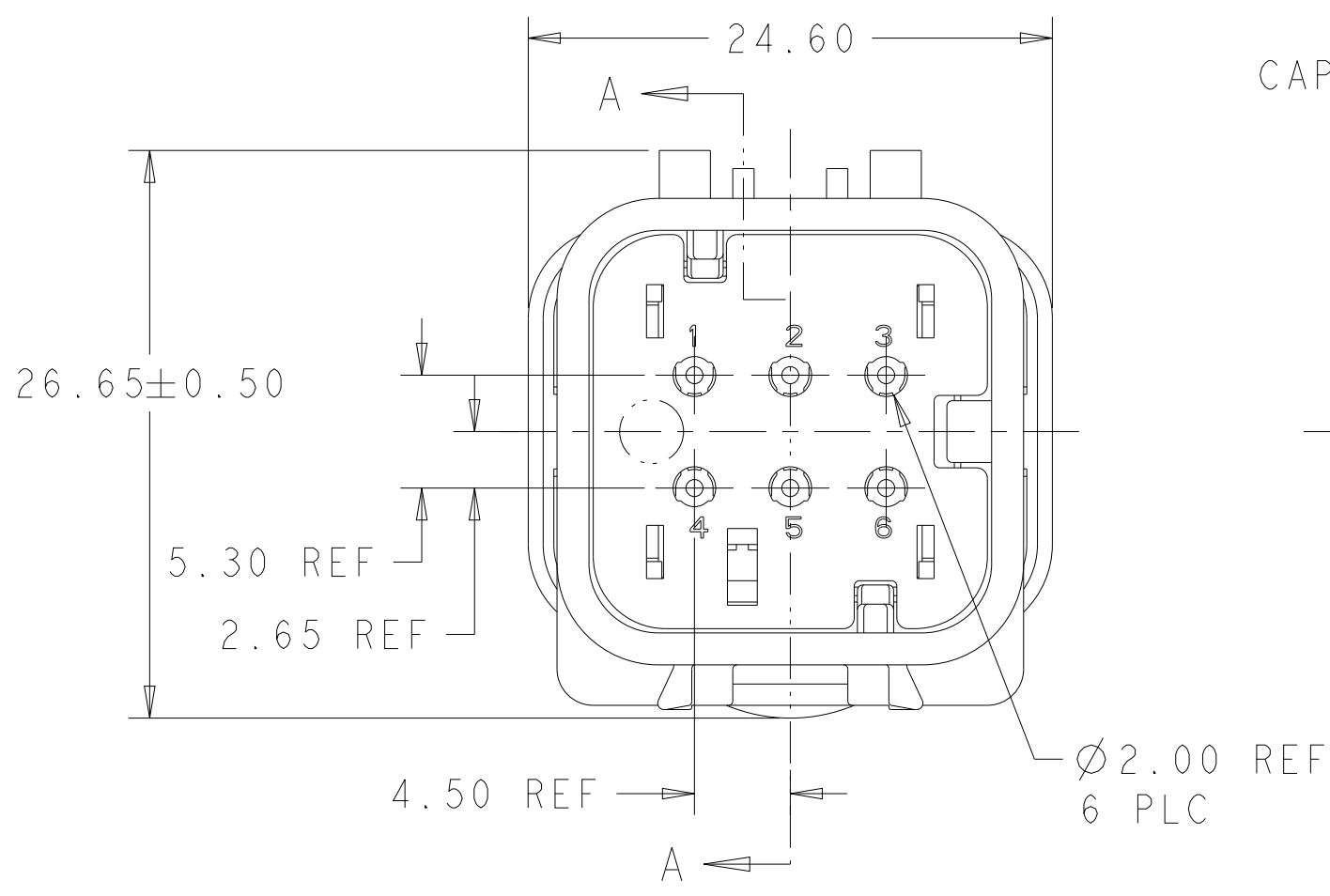
D. 2302484-1 SMOOTH WIRE EXIT

E. 2302484-2 NCI6/NWI3 CONDUIT WIRE EXIT

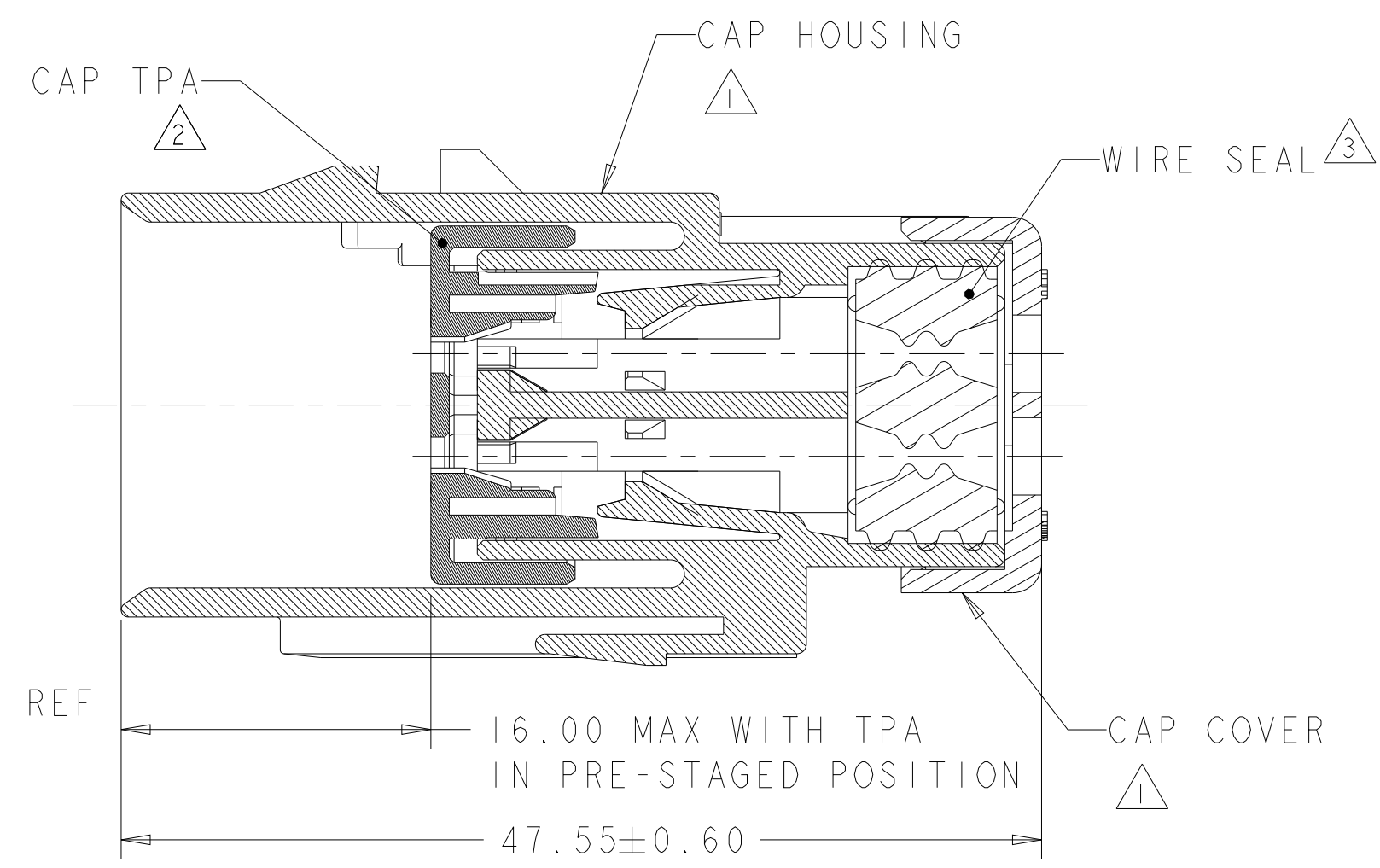
F. 2302484-3 NCI2/NWI0 CONDUIT WIRE EXIT

6. RECOMMENDED SEAL PLUG: 776363-1

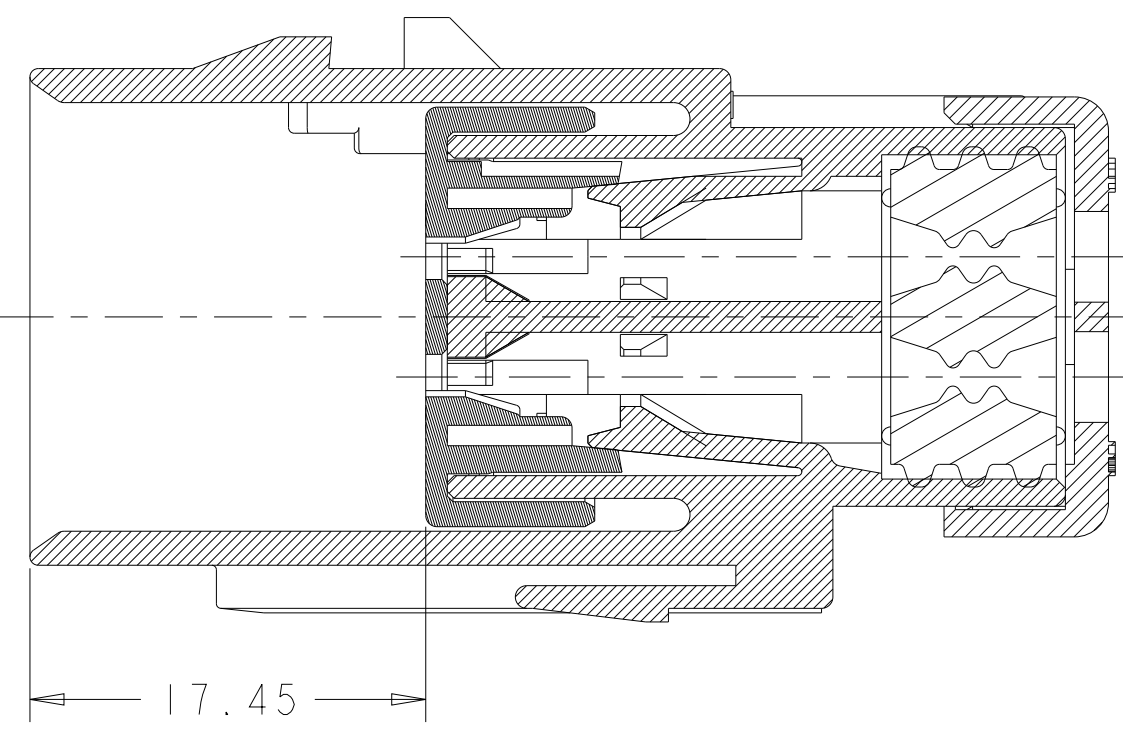
7. MATING CONNECTOR: 2320935-X.



2320929-1 SHOWN KEY A



SECTION A-A



SECTION A-A WITH TPA IN CLOSED POSITION

C	PURPLE	2320929-3
B	BLUE	2320929-2
A	TAN	2320929-1
KEY	TPA COLOR	PART NUMBER

THIS DRAWING IS A CONTROLLED DOCUMENT.		DWN J. MCNEAL 05MAR2018	STE TE Connectivity	
DIMENSIONS: mm		CHK R. BALTER 05MAR2018		
TOLERANCES UNLESS OTHERWISE SPECIFIED:		APVD R. BALTER 05MAR2018	NAME CAP ASSEMBLY, 6 POSITION, REDUCED DIA SEAL, HIGH TEMP, AMPSEAL 16	
0 PLC	±	PRODUCT SPEC 108-32602	SIZE A2	CAGE CODE -
1 PLC	±	APPLICATION SPEC 114-32362	DRAWING NO C-2320929	RESTRICTED TO -
2 PLC	±0.30	WEIGHT 15.5	SCALE 2:1	SHEET 1 OF 1
3 PLC	±	CUSTOMER DRAWING	REV A	
4 PLC	±			
ANGLES	±			
FINISH	-			