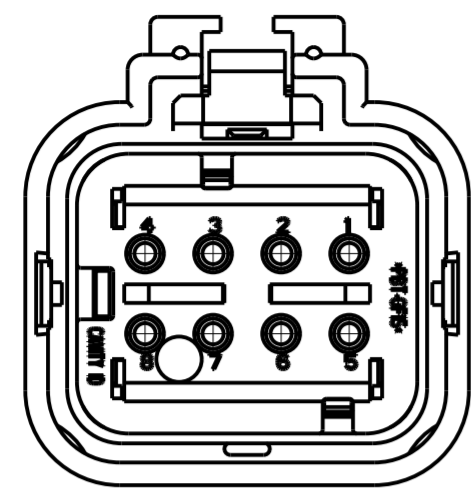
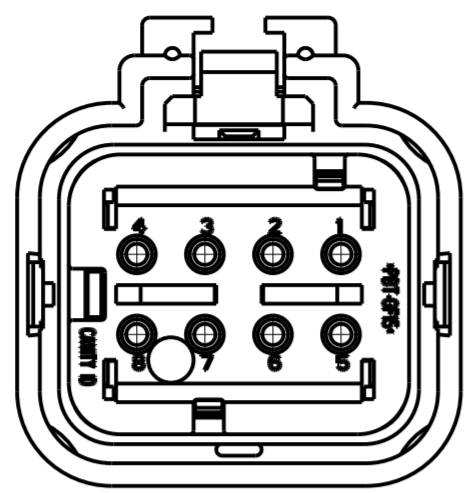


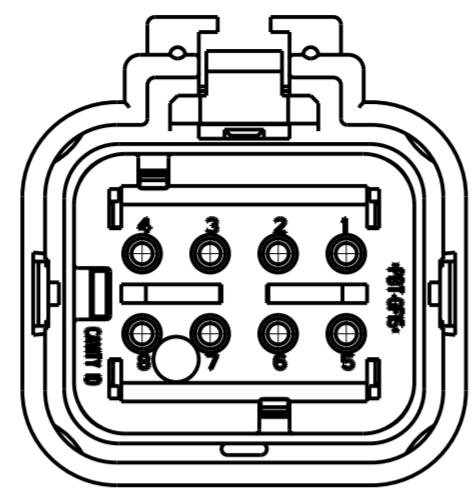
REVISIONS					
P	LTR	DESCRIPTION	DATE	DWN	APVD
	A	NEW RELEASE	08APR2021	MK	BC



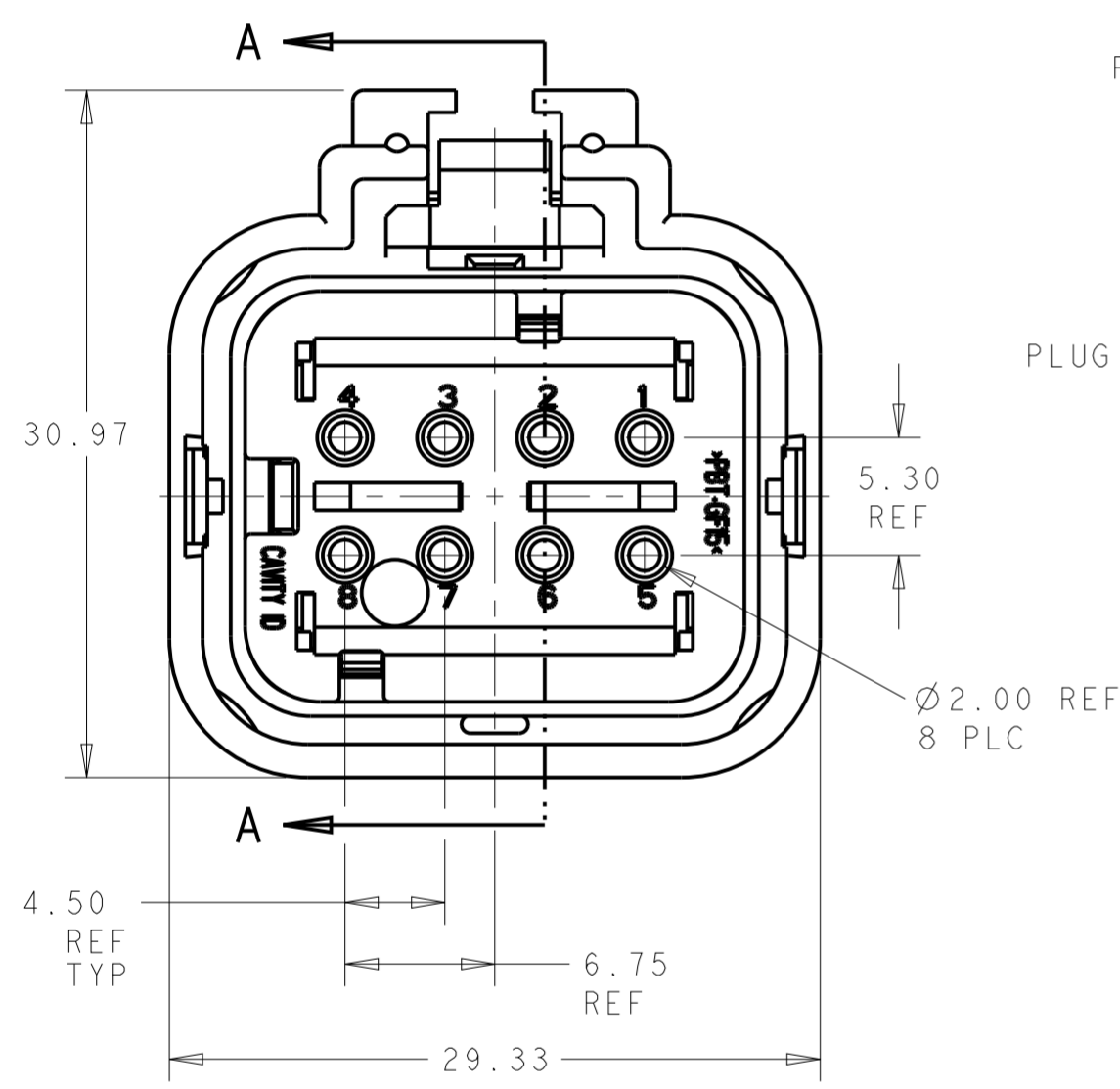
2320924-2  
 SCALE 2:1  
 KEY B



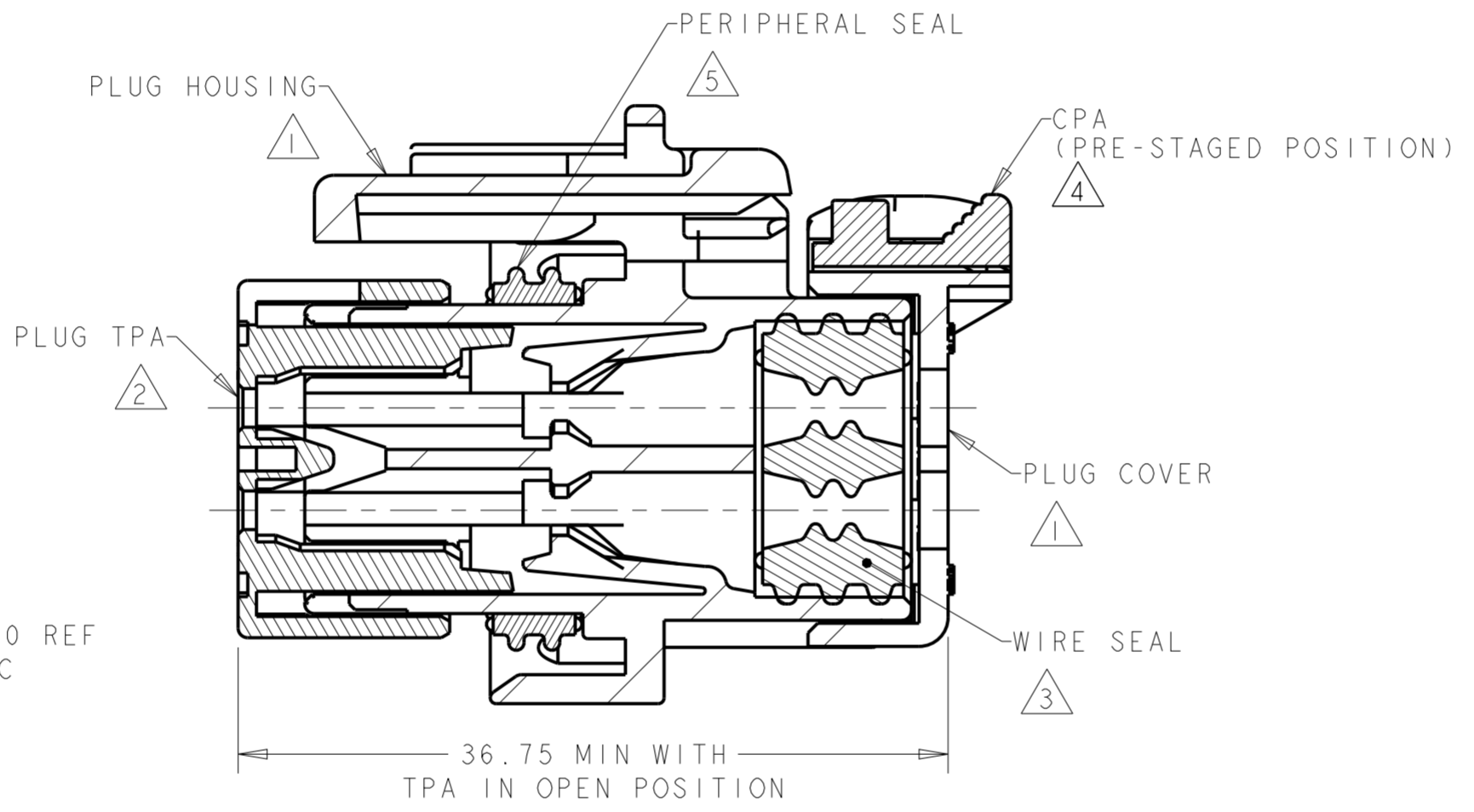
2320924-3  
 SCALE 2:1  
 KEY C



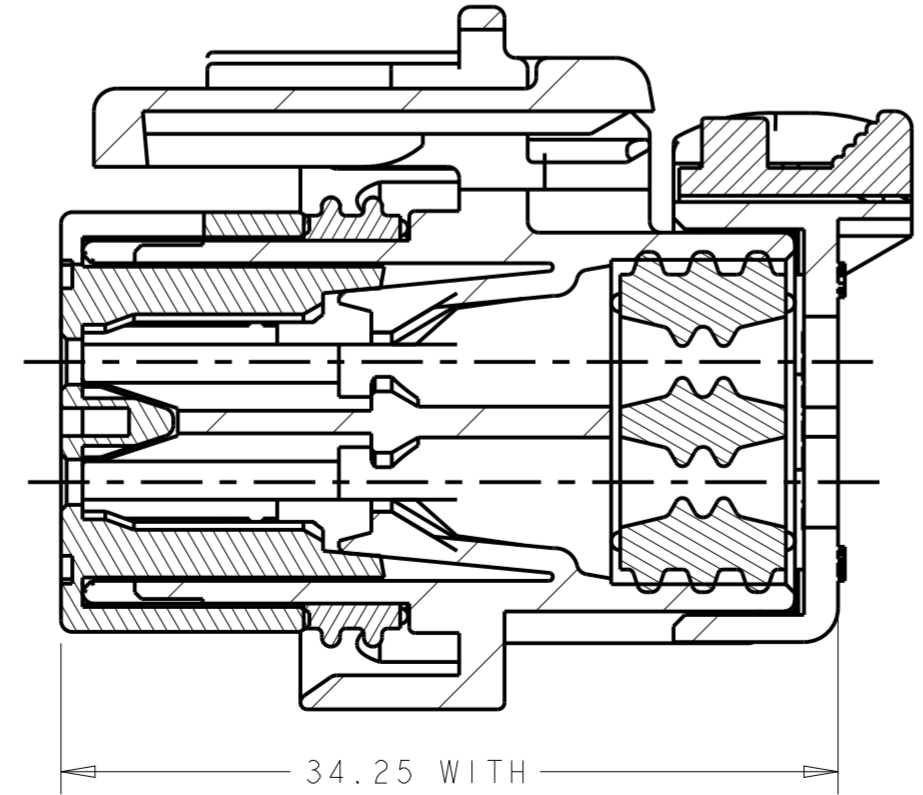
2320924-4  
 SCALE 2:1  
 KEY D



2320924-1 SHOWN  
 KEY A

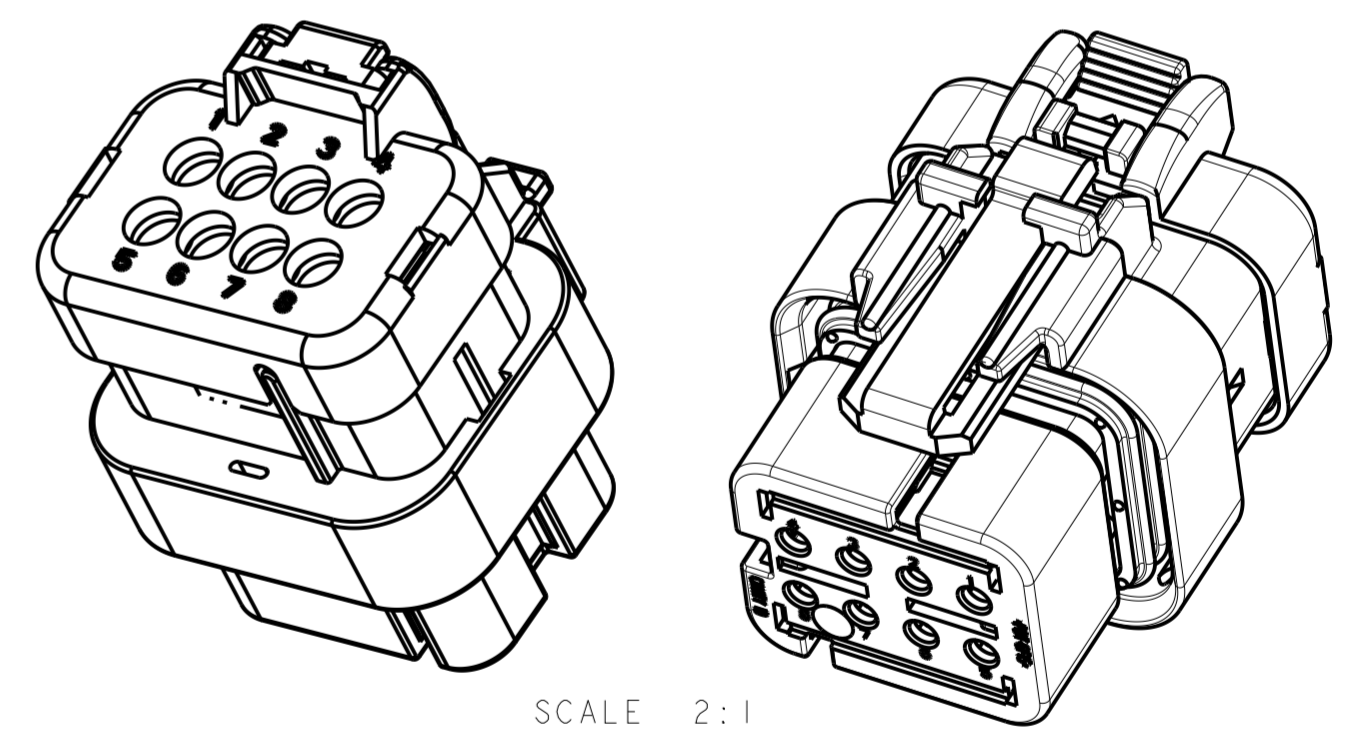


SECTION A-A



SECTION A-A

- 1 MATERIAL: 15% FIBERGLASS REINFORCED PBT  
 COLOR: GRAY
- 2 MATERIAL: 15% FIBERGLASS REINFORCED PBT  
 COLOR: (SEE TABLE)
- 3 MATERIAL: SILICONE  
 COLOR: GREEN
- 4 MATERIAL: 15% FIBERGLASS REINFORCED PBT  
 COLOR: ORANGE
- 5 MATERIAL: SILICONE  
 COLOR: TAN
- 6. RECOMMENDED WIRE DIAMETER RANGE IS 2.18 TO 3.67mm.
- 7. RECOMMENDED BACKSHELLS:  
 STRAIGHT EXIT:  
 A. 2292801-1 SMOOTH WIRE EXIT  
 B. 2292801-2 NC20/NW17 CONDUIT WIRE EXIT  
 C. 2292801-3 NC16/NW13 CONDUIT WIRE EXIT  
 90° EXIT:  
 D. 2302494-1 SMOOTH WIRE EXIT  
 E. 2302494-2 NC20/NW17 CONDUIT WIRE EXIT  
 F. 2302494-3 NC16/NW13 CONDUIT WIRE EXIT
- 8. RECOMMENDED SEAL PLUG: 776363-1
- 9. MATING CONNECTOR: 2320917-X.



D	ORANGE	2320924-4
C	PURPLE	2320924-3
B	BLUE	2320924-2
A	TAN	2320924-1
KEY	TPA COLOR	PART NUMBER

THIS DRAWING IS A CONTROLLED DOCUMENT.		DWN J. MCNEAL 18SEP2018	TE Connectivity	
DIMENSIONS: mm		CHK R. BALTER 18SEP2018	NAME PLUG ASSEMBLY, 8 POSITION STD DIA SEAL, HIGH TEMP, AMPSEAL 16	
TOLERANCES UNLESS OTHERWISE SPECIFIED:		APVD R. BALTER 18SEP2018	PRODUCT SPEC 108-32602	
0 PLC	±	APPLICATION SPEC 114-32362	SIZE A2	CAGE CODE -
1 PLC	±	WEIGHT 16±1g	DRAWING NO G-2320924	RESTRICTED TO
2 PLC	±	CUSTOMER DRAWING	SCALE 1:1	SHEET OF
3 PLC	±			REV A
4 PLC	±			
ANGLES	±			
FINISH	-			