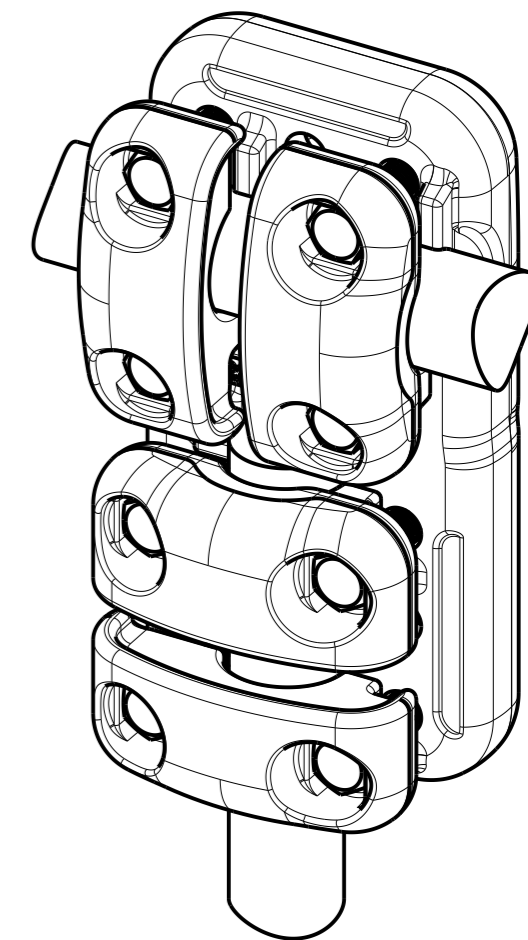
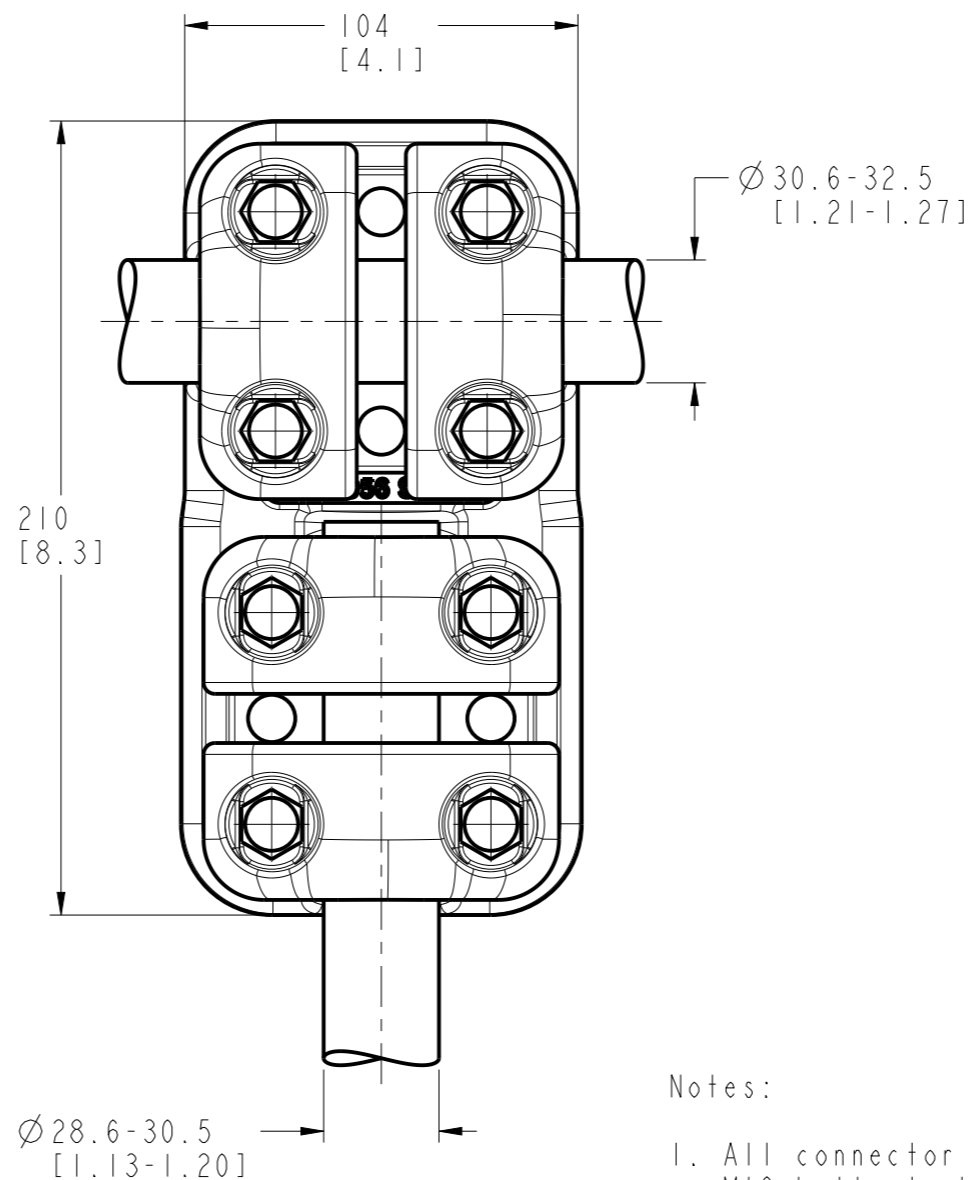
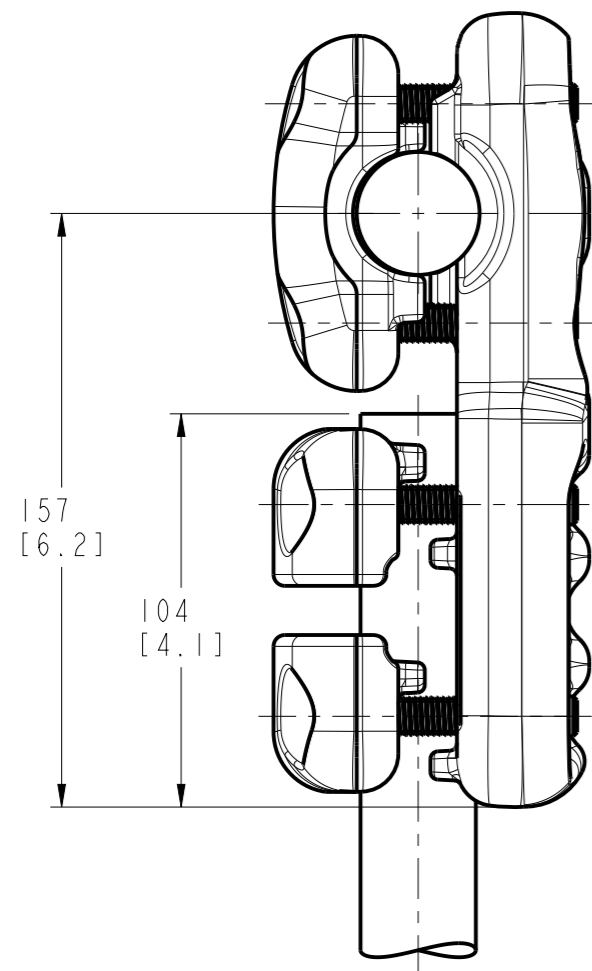


P	LTR	DESCRIPTION	DATE	DWN	APVD
A		INITIAL REL. PER LC20-0109-20	10NOV2020	BM	MP



NO SCALE  
SANS ÉCHELLE

Notes:

1. All connector bolts are M10 A2 stainless steel.  
M10 bolts to be tightened to 37Nm / 27.3ft-lb torque.

Tous les boulons de connecteur sont en acier inoxydable A2 M10.  
Boulons M10 à serrer au couple de 37Nm / 27.3ft-lb.

2319972-1  
PART NO.

THIS DRAWING IS A CONTROLLED DOCUMENT.		DWN BHARATH B M 10NOV2020														
DIMENSIONS: mm[inch]		CHK J. GUPPY 10NOV2020														
TOLERANCES UNLESS OTHERWISE SPECIFIED:		APVD M. PREVOT 10NOV2020	NAME TEE CONNECTOR CONNECTEUR EN T 5 CT 82 M325 M305													
<table border="1"> <tr> <td>0 PLC</td> <td>±</td> </tr> <tr> <td>1 PLC</td> <td>±</td> </tr> <tr> <td>2 PLC</td> <td>±</td> </tr> <tr> <td>3 PLC</td> <td>±</td> </tr> <tr> <td>4 PLC</td> <td>±</td> </tr> <tr> <td>ANGLES</td> <td>±</td> </tr> </table>		0 PLC	±	1 PLC	±	2 PLC	±	3 PLC	±	4 PLC	±	ANGLES	±	PRODUCT SPEC 108-69096-001	RESTRICTED TO	
0 PLC	±															
1 PLC	±															
2 PLC	±															
3 PLC	±															
4 PLC	±															
ANGLES	±															
MATERIAL		APPLICATION SPEC -	SIZE A3	CAGE CODE 00779	DRAWING NO C-2319972-1											
FINISH		WEIGHT 2.1 kg/4.62 lbs	SCALE 1:2		SHEET 1 OF 1											
		CUSTOMER DRAWING	REV A													