

THIS DRAWING IS UNPUBLISHED.

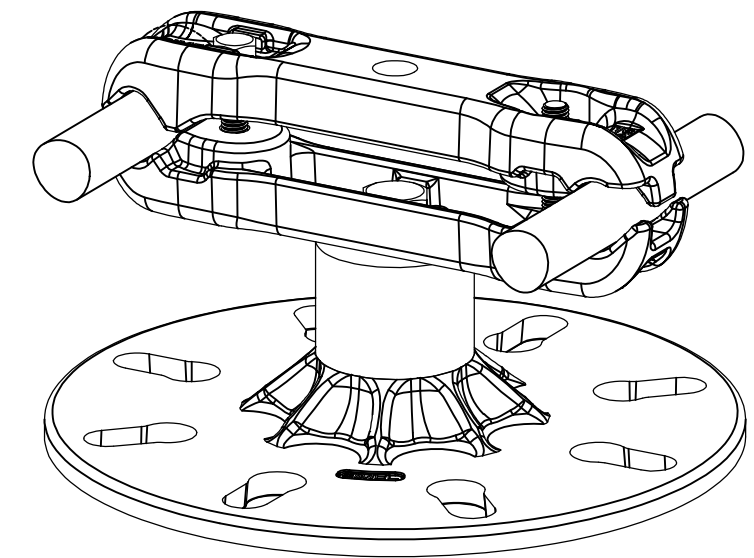
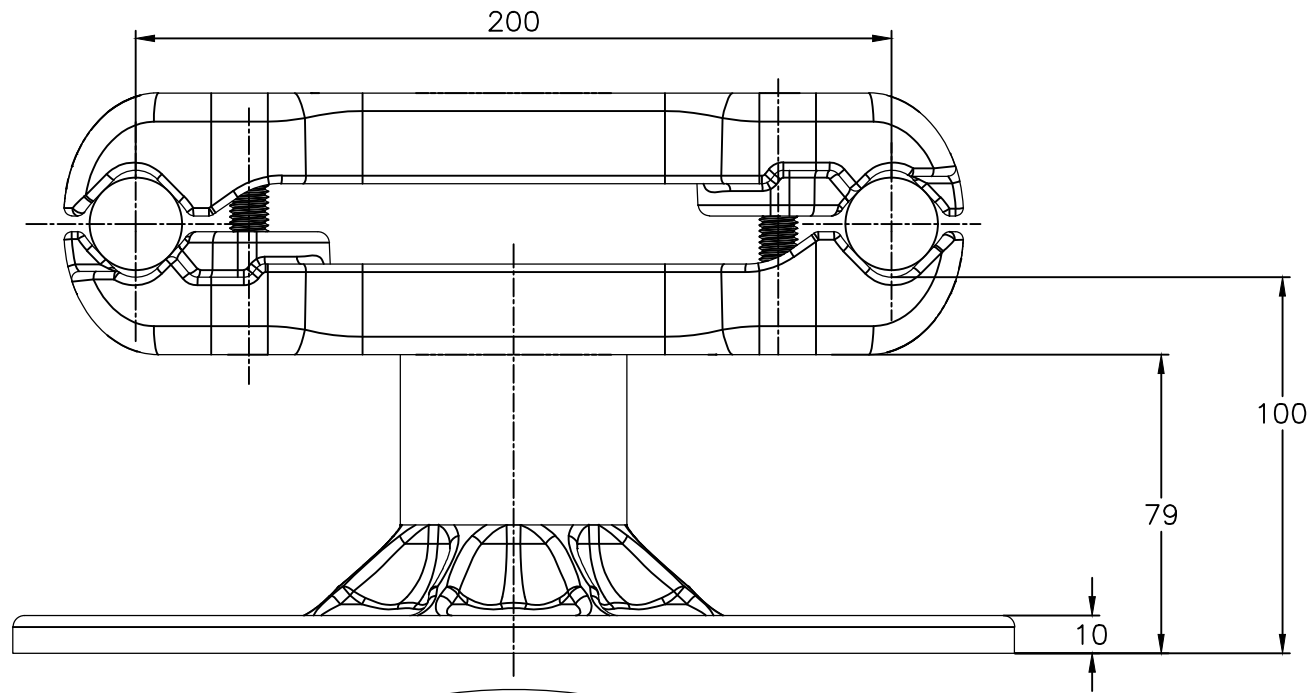
RELEASED FOR PUBLICATION

ALL RIGHTS RESERVED.

© COPYRIGHT - By -

REVISIONS

P	LTR	DESCRIPTION	DATE	DWN	APVD
	A	CREATION	06-SEP-17	JG	-

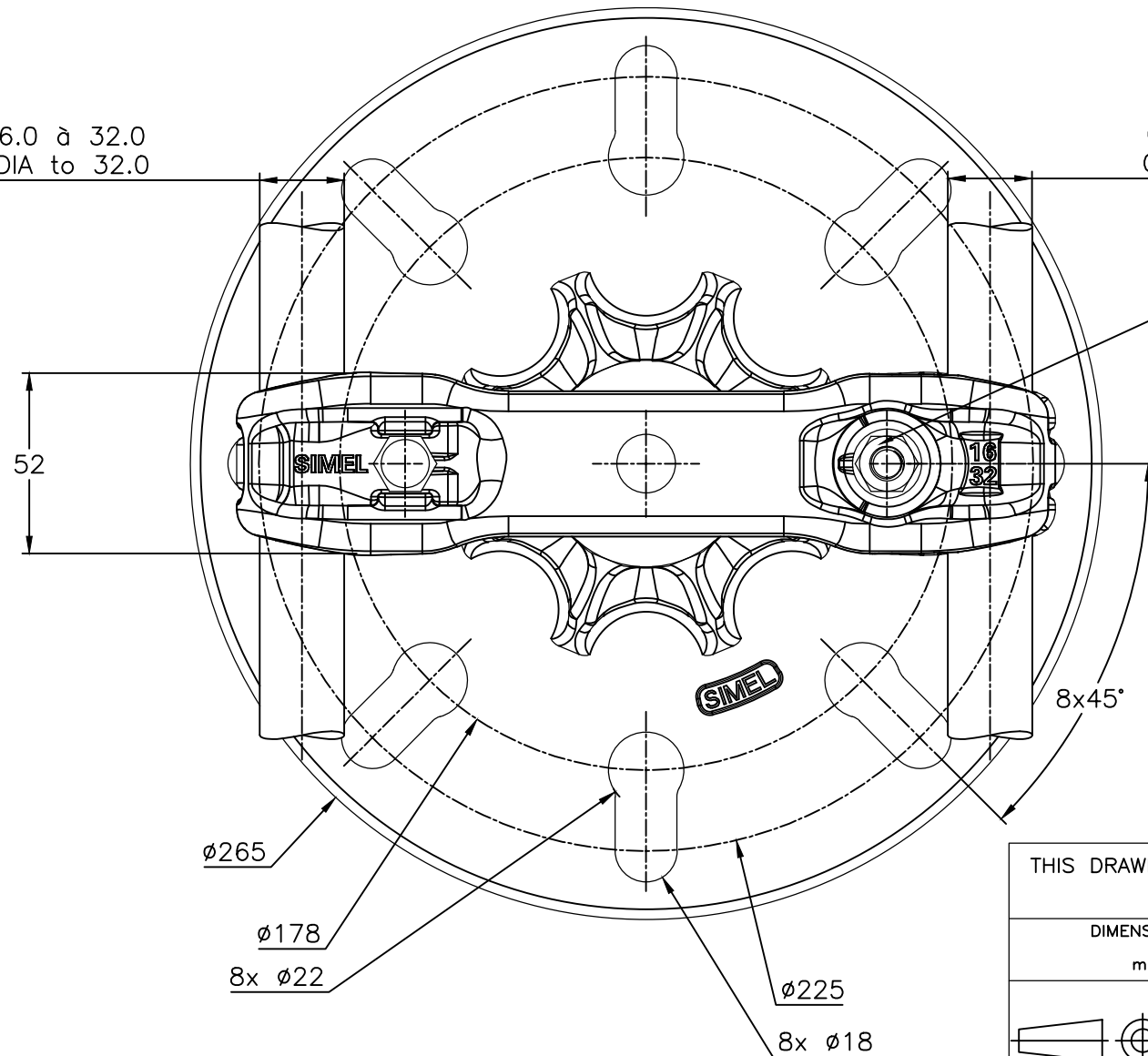


No scale
Sans échelle

Cable ø16.0 à 32.0
Cable 16DIA to 32.0

Cable ø16.0 à 32.0
Cable 16DIA to 32.0

M10 Stainless steel bolts A2: 37 Nm
Boulons M10 acier inoxydable A2: 37 Nm



THIS DRAWING IS A CONTROLLED DOCUMENT.

DWN GODARD 06-Sep-17

CHK -

APVD -

PRODUCT SPEC

108-69096-001

APPLICATION SPEC

-

APPROX.WEIGHT 2.8 kg

CUSTOMER DRAWING

DIMENSIONS:	TOLERANCES UNLESS OTHERWISE SPECIFIED:
mm	
0 PLC	± -
1 PLC	± -
2 PLC	± -
3 PLC	± -
4 PLC	± -
ANGLES	± -
FINISH	-



NAME TWIN BUNDLE SPACER ON BPI
ENTRETOISE POUR FAISCEAU DOUBLE SUR ISO
5 CAE 82 P7-P225 S160/S320 E200

SIZE	CAGE CODE	DRAWING NO	RESTRICTED TO
A3	00779	©=2319961	-

SCALE	SHEET	REV
1:2	1 OF 1	A

ITEM:.....