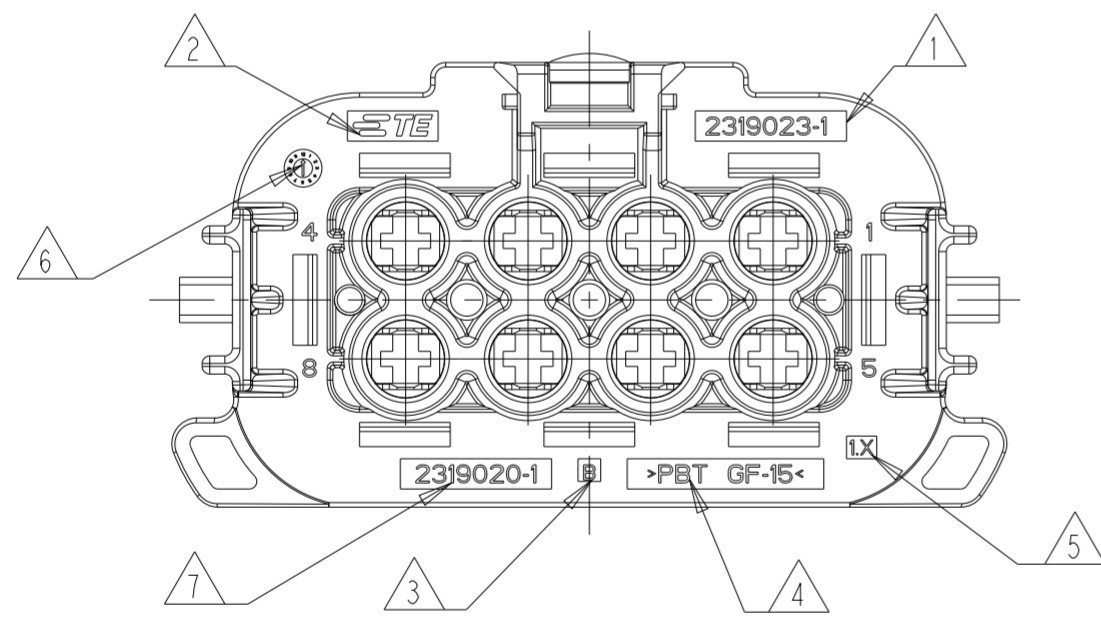
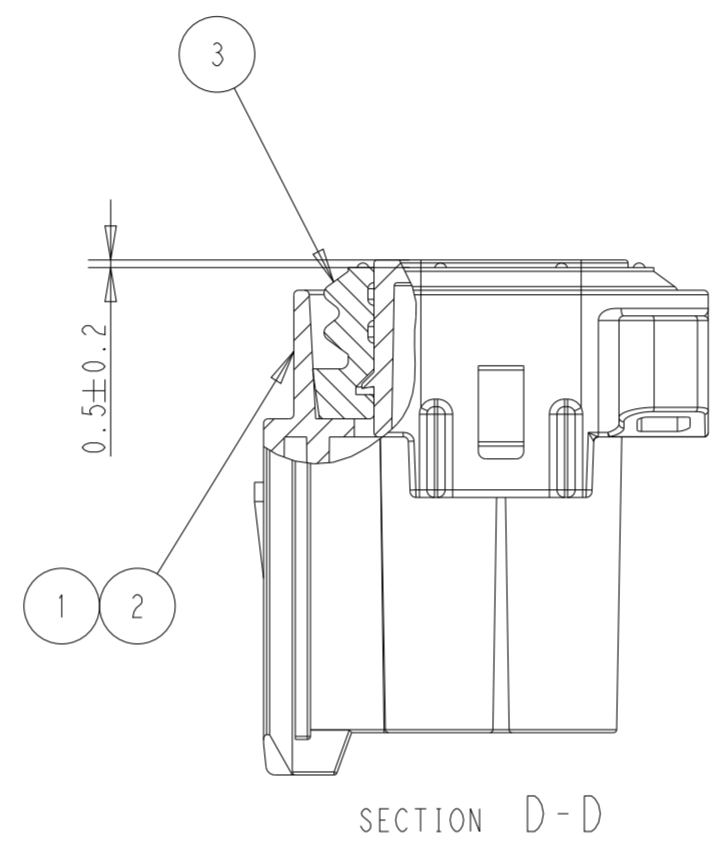
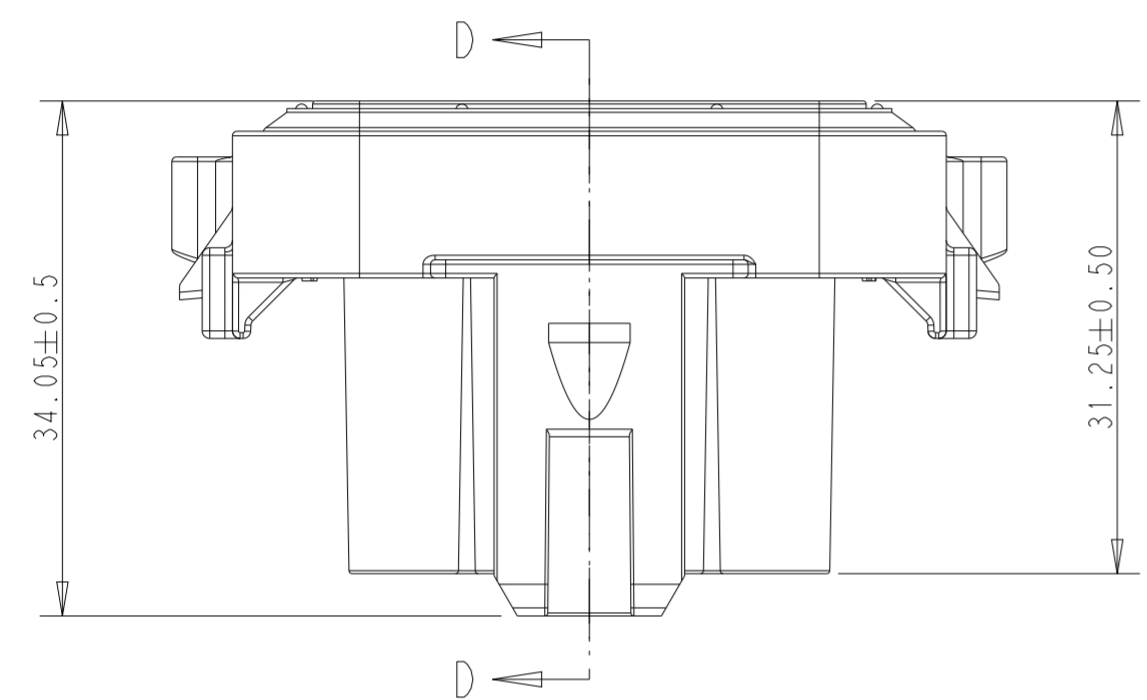
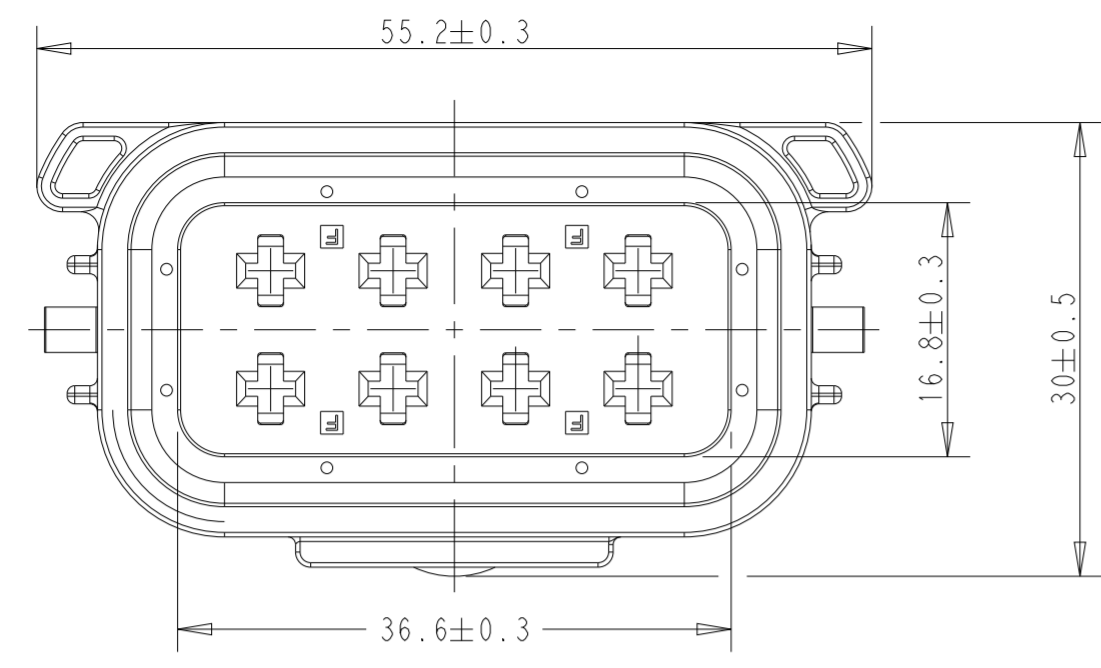


REVISIONS					
P	LTR	DESCRIPTION	DATE	DWN	APVD
A		RELEASED FOR PRODUCTION	01MAR2020	STK	DK
A1		PCN-23-178983	20JUN2023	RN	DK



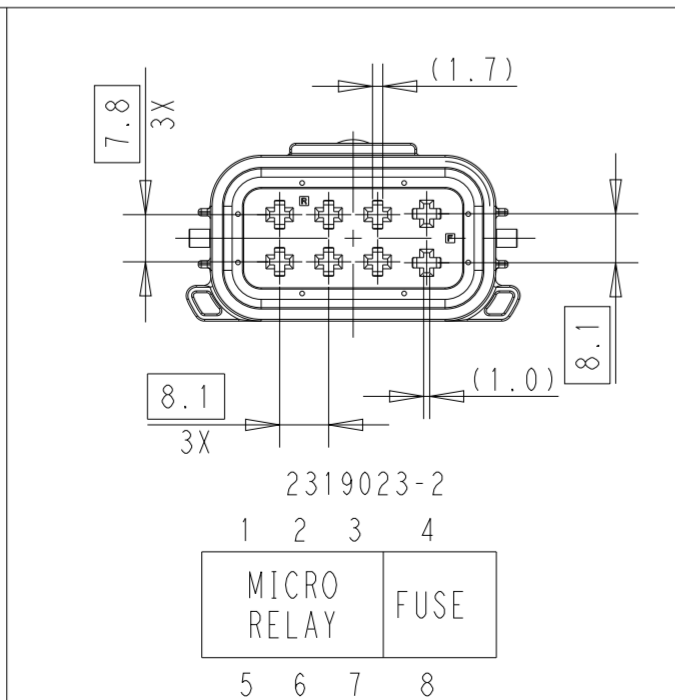
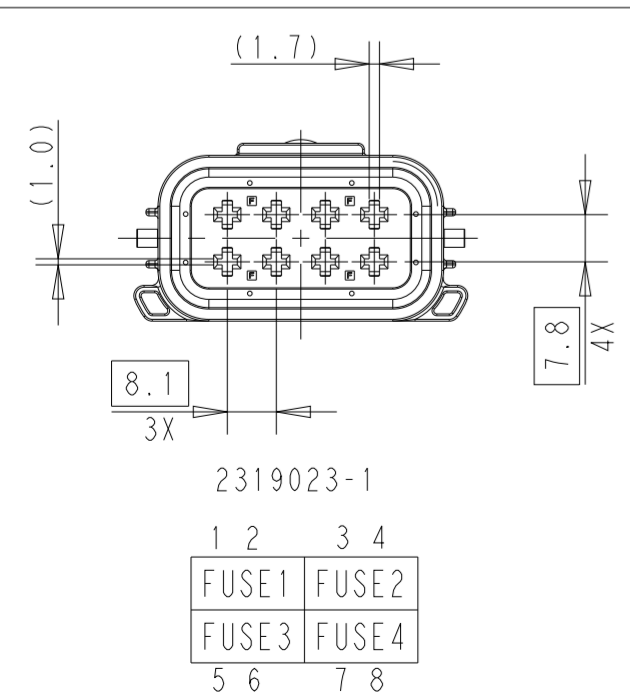
- 1. TE CONNECTIVITY ASSEMBLY PART NUMBER
- 2. TE CONNECTIVITY TRADEMARK
- 3. PART REVISION INDEX - SEE TABLE
- 4. MATERIAL IDENTIFICATION
- 5. MOLD CAVITY IDENTIFICATION NUMBER
- 6. TE CONNECTIVITY DATE CODE
- 7. TE CONNECTIVITY CHILD PART NUMBER

- 8. NO SCORES, DUST ON SEAL RING ARE PERMISSIBLE
- 9. MATING COVER PN : 2319021-1 & 2319021-2.

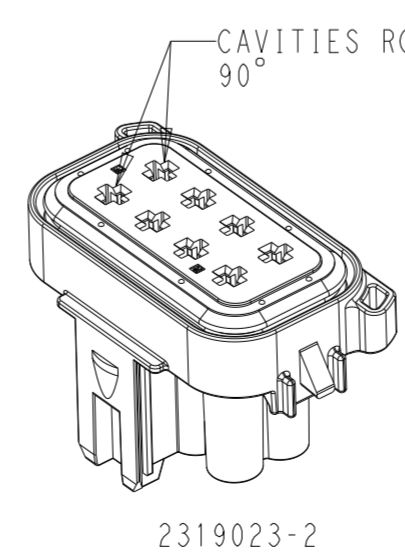
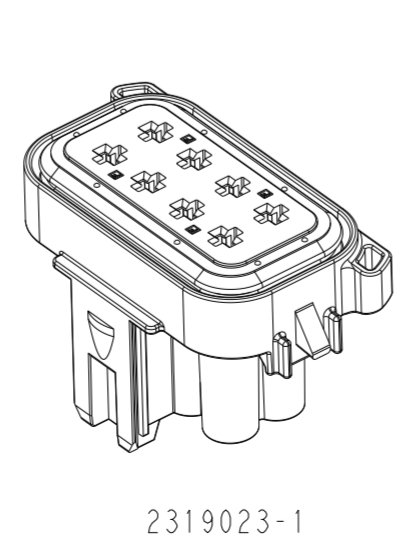
10. APPLICABLE CONTACTS

WIRE SIZE	3mm <sup>2</sup>	0.35mm <sup>2</sup>
TERMINAL P/N	1719506	968882
SINGLE WIRE SEAL	828905-1	828904-1
BLIND PLUG	828922-1	828922-1

- 11. 2319023-1: 4 MINI FUSES  
2319023-2: 1 MINI FUSE + 1 MICRO RELAY
- 12. APPLICABLE MOUNTING CLIPS: REFER APPLICATION SPECIFICATION
- 13. APPLICABLE MICRO RELAYS: REFER APPLICATION SPECIFICATION
- 14. PACKAGING STYLE: LAYER



2319023-1 AS SHOWN



QTY REQ'D	REV	DESCRIPTION	ITEM
1	1	B SILICON BLUE PERIPHERAL SEAL, 8POS FRB	3
1	-	B PBT GF15 BLACK 8P MINI FUSE/MICRO RELAY HOUSING	2
-	1	B PBT GF15 BLACK 8P MINI FUSE HOUSING	1
2319023-2	2319023-1	REV MATERIAL COLOR DESCRIPTION	ITEM
A	A	REVISION OF EACH ASSEMBLY NUMBER	
23.2	23.2	WEIGHT OF EACH ASSY NO.(g)	

THIS DRAWING IS A CONTROLLED DOCUMENT.

DIMENSIONS: mm	TOLERANCES UNLESS OTHERWISE SPECIFIED:	DWN DISHA SOMANI 07NOV2017	TE Connectivity
	0 PLC ±	CHK CHANDRASHEKAR S 08NOV2017	
	1 PLC ±	APVD DAVID KLEIN 08NOV2017	
	2 PLC ±	NAME 8P MINIFUSE/RELAY HOUSING ASSEMBLY	
MATERIAL SEE TABLE	FINISH -	108-94650	SIZE CAGE CODE DRAWING NO RESTRICTED TO
		114-94528	A2 00779 C-2319023
		SEE TABLE	SCALE 1:1 SHEET 1 OF 1 REV A1