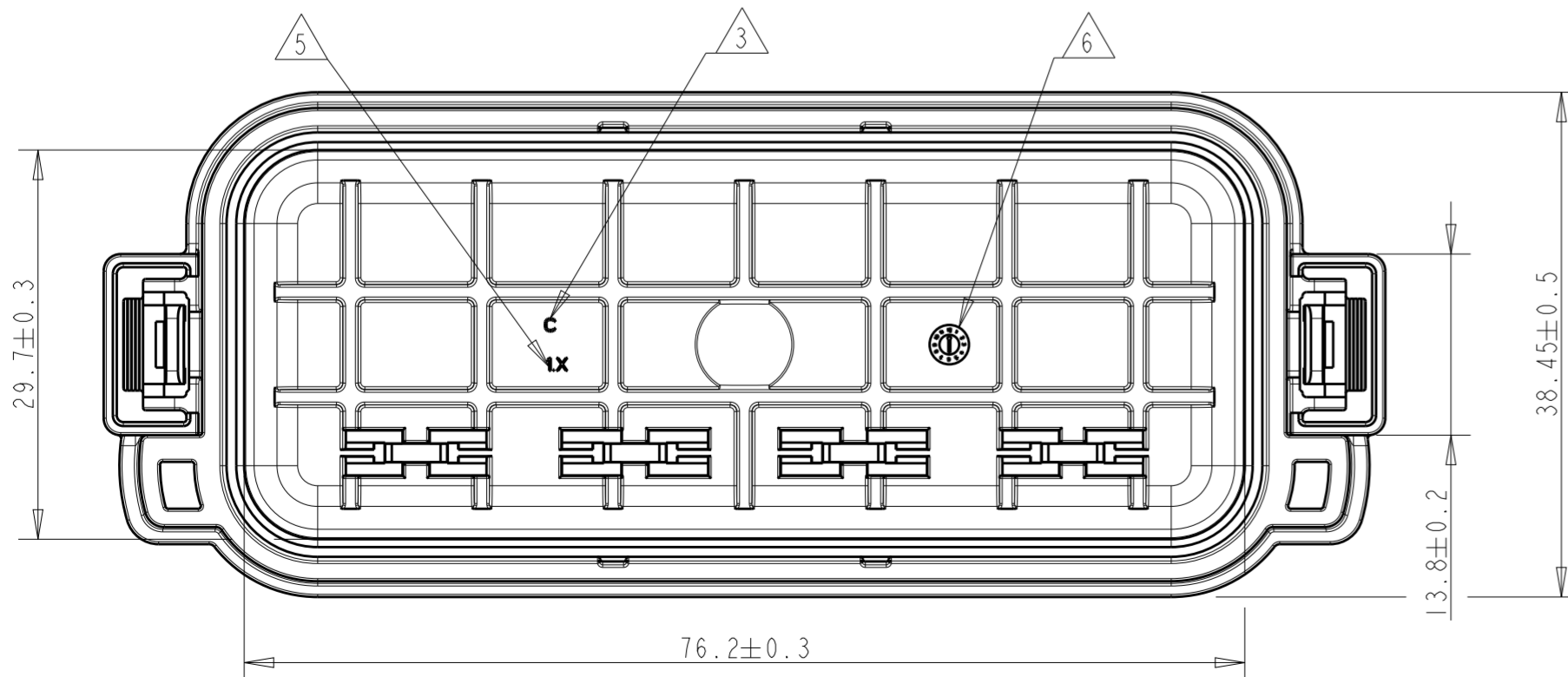
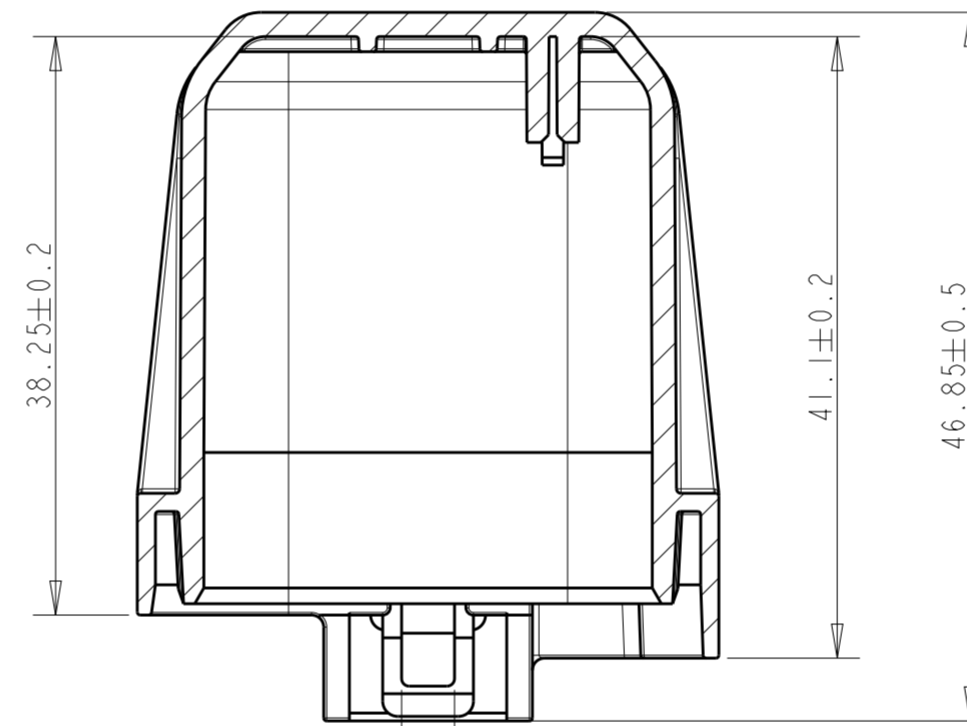
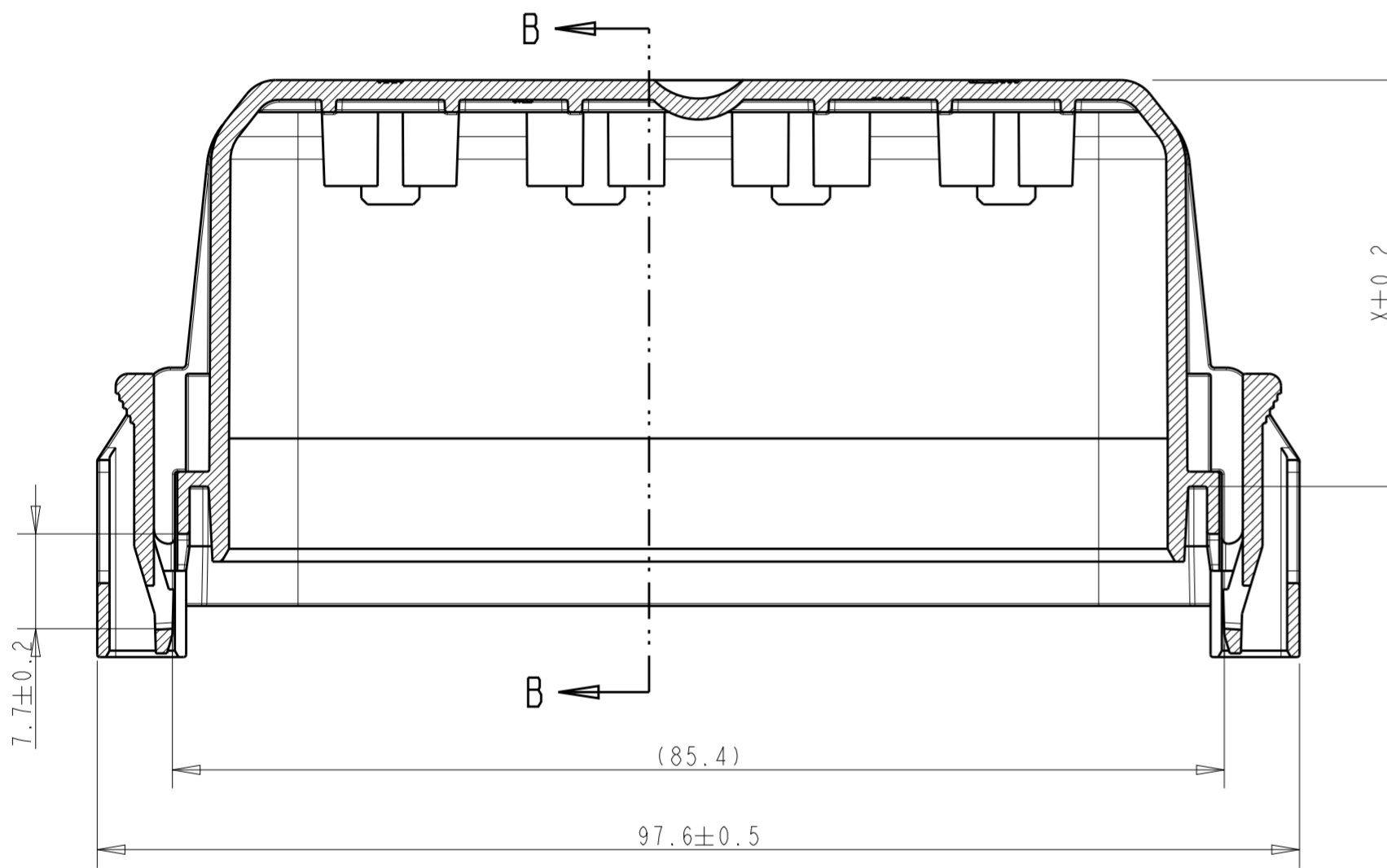
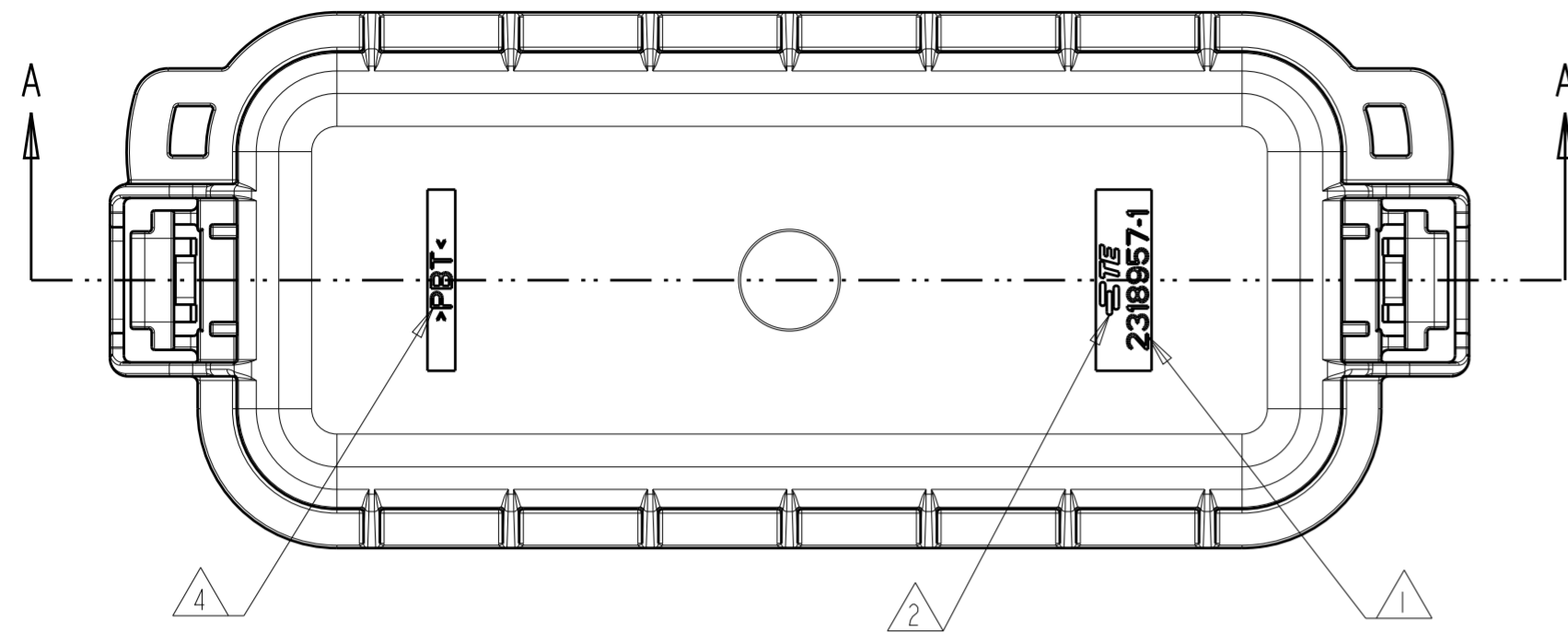
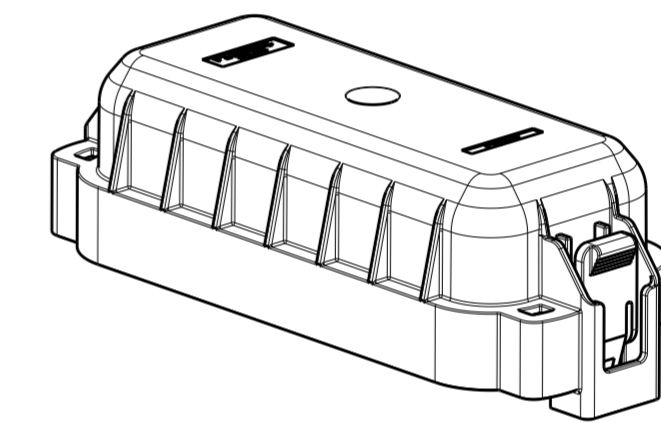


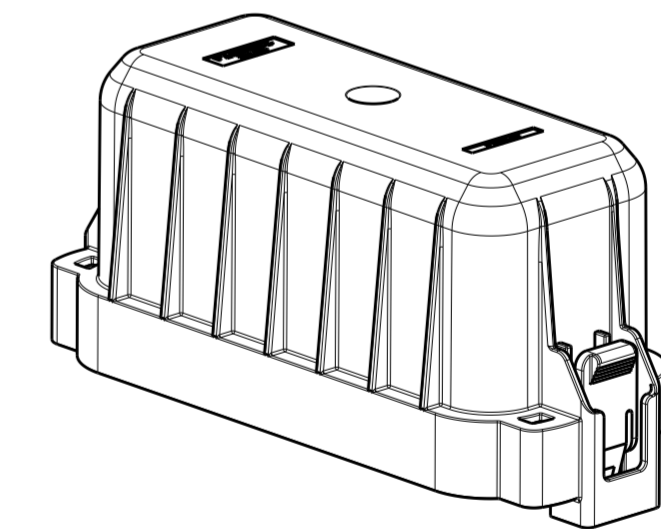
REVISIONS					
P	LTR	DESCRIPTION	DATE	DWN	APVD
A		RELEASED FOR PRODUCTION	15FEB2020	STK	DK
B		RELEASED PER ECR-20-009339	15MAY2020	STK	DH



- 1. TE CONNECTIVITY PART NUMBER
- 2. TE CONNECTIVITY TRADEMARK
- 3. PART REVISION INDEX- SEE TABLE
- 4. MATERIAL IDENTIFICATION
- 5. MOLD CAVITY IDENTIFICATION NUMBER
- 6. TE CONNECTIVITY DATE CODE
- 7. 2318957-1 COVER MATES WITH: 24P MINI FUSE HOUSING ASSY. 2318967-1, -2 (FUSE ONLY)
- 8. 2318957-2 COVER MATES WITH 24P FUSE/RELAY HOUSING 2318967-1, -2 (FUSE & RELAY)
- 9. 2318957-2 COVER INCLUDES FEATURES FOR HOLDING 4 SPARE MINI FUSES
- 10. PACKAGING: BULK



SCALE 1:1
2318957-1



SCALE 1:1
2318957-2

2318957-2
AS SHOWN

TE PART NO	REV	DESCRIPTION	MATERIAL	'X' DIM	WEIGHT [g]	SURFACE COLOR	ITEM
2318957-2	C	COVER, 24POS MINIFUSE AND RELAY BOX	PBT	33.00	31.2	BLACK	2
2318957-1	C	COVER, 24POS MINIFUSE BOX	PBT	17.70	22.2	BLACK	1

THIS DRAWING IS A CONTROLLED DOCUMENT.		DWN S TEJUS KIRAN 11FEB2020		NAME COVER 24 POS MINI FUSE AND RELAY BOX		
DIMENSIONS: mm	TOLERANCES UNLESS OTHERWISE SPECIFIED:	CHK KASHYAP P B 11FEB2020		PRODUCT SPEC 108-94651	SIZE A2	CAGE CODE 00779
0 PLC ±	1 PLC ±	APVD DAVID KLEIN 11FEB2020		APPLICATION SPEC 114-94529	DRAWING NO C-2318957	RESTRICTED TO
2 PLC ±	3 PLC ±	MATERIAL SEE TABLE		WEIGHT SEE TABLE	SCALE 2:1	SHEET 1 OF 1
MATERIAL SEE TABLE		ANGLES FINISH	CUSTOMER DRAWING	REV B		