

REVISIONS				
P	LTR	DESCRIPTION	DATE	APVD
A		FIRST RELEASE	18SEP17	NL DZ

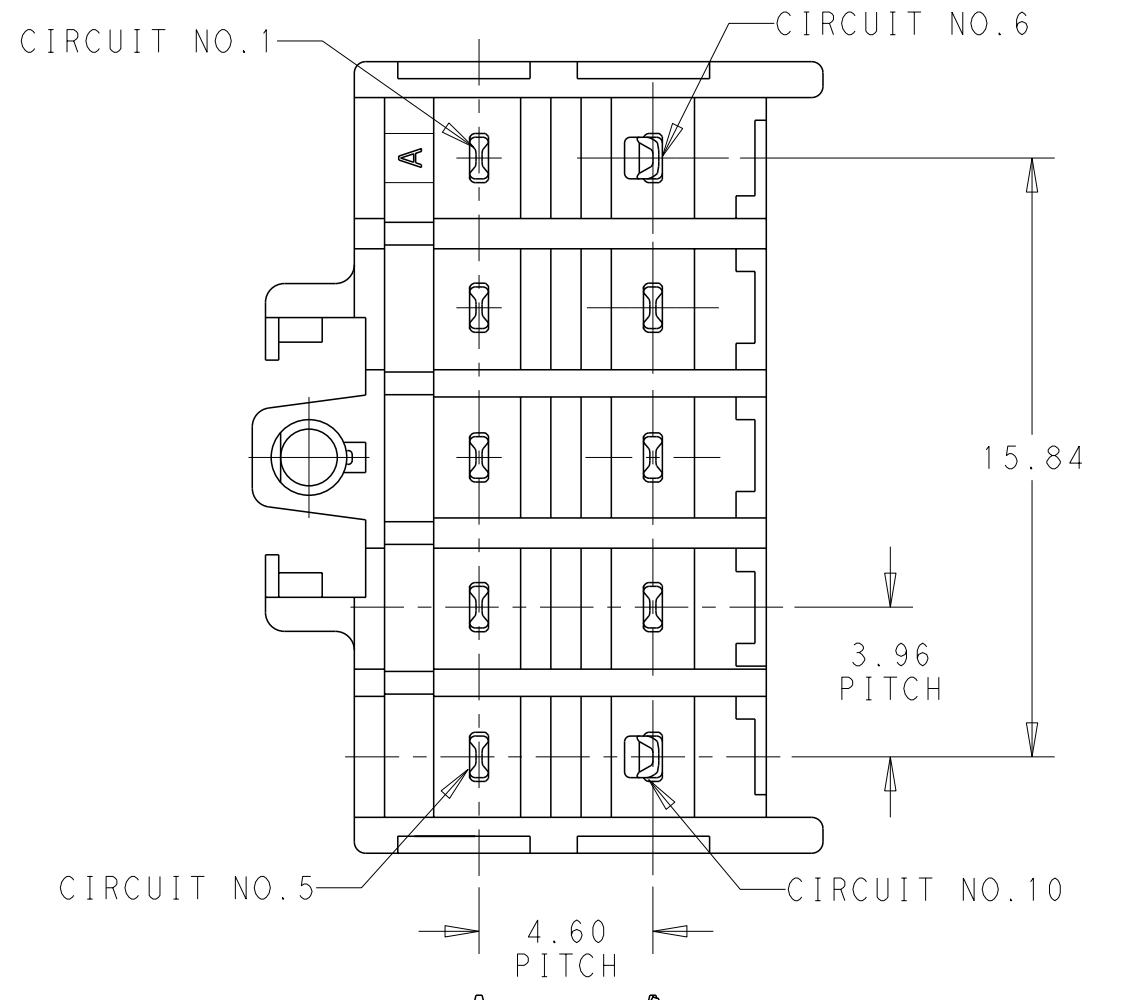
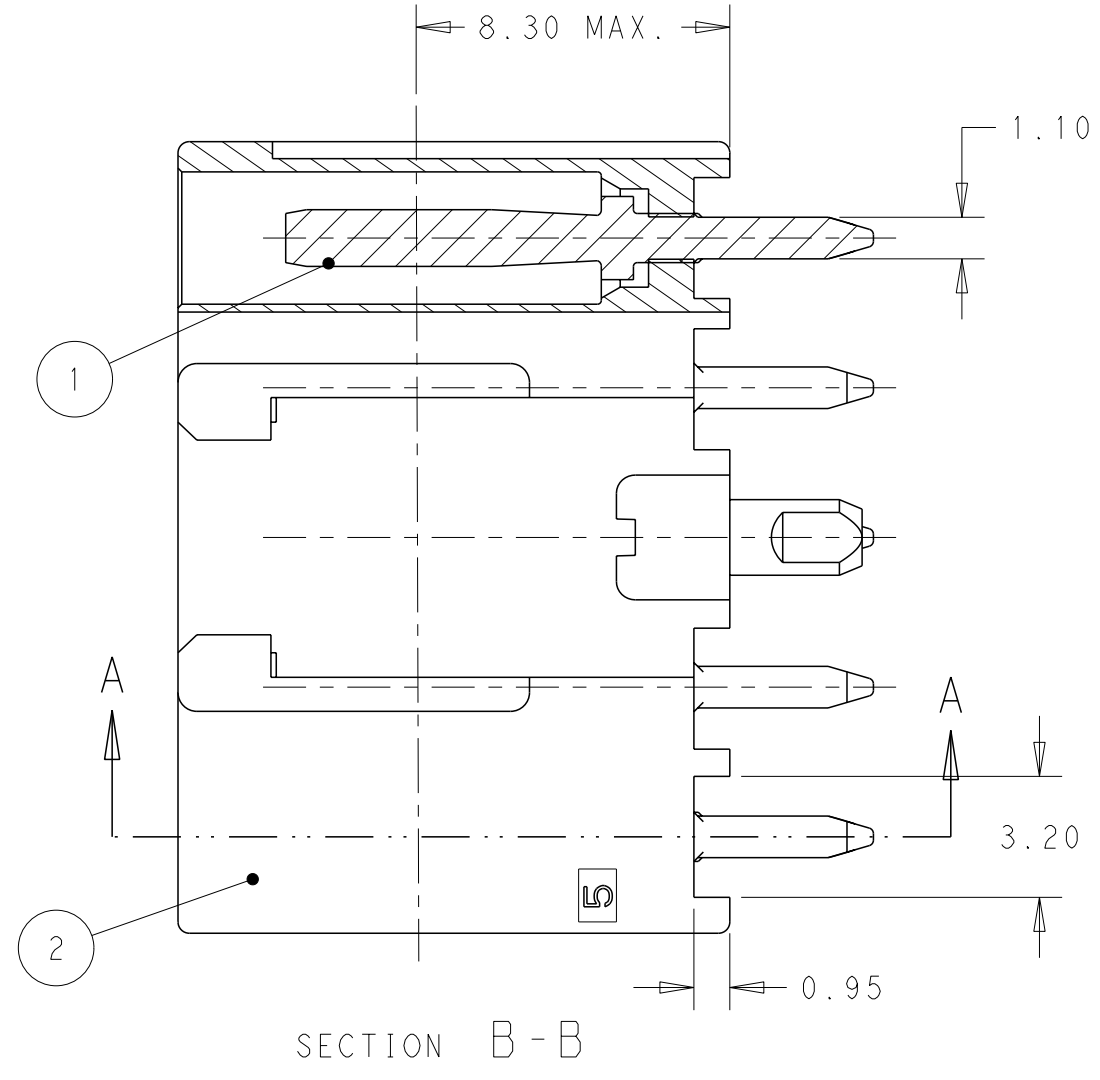
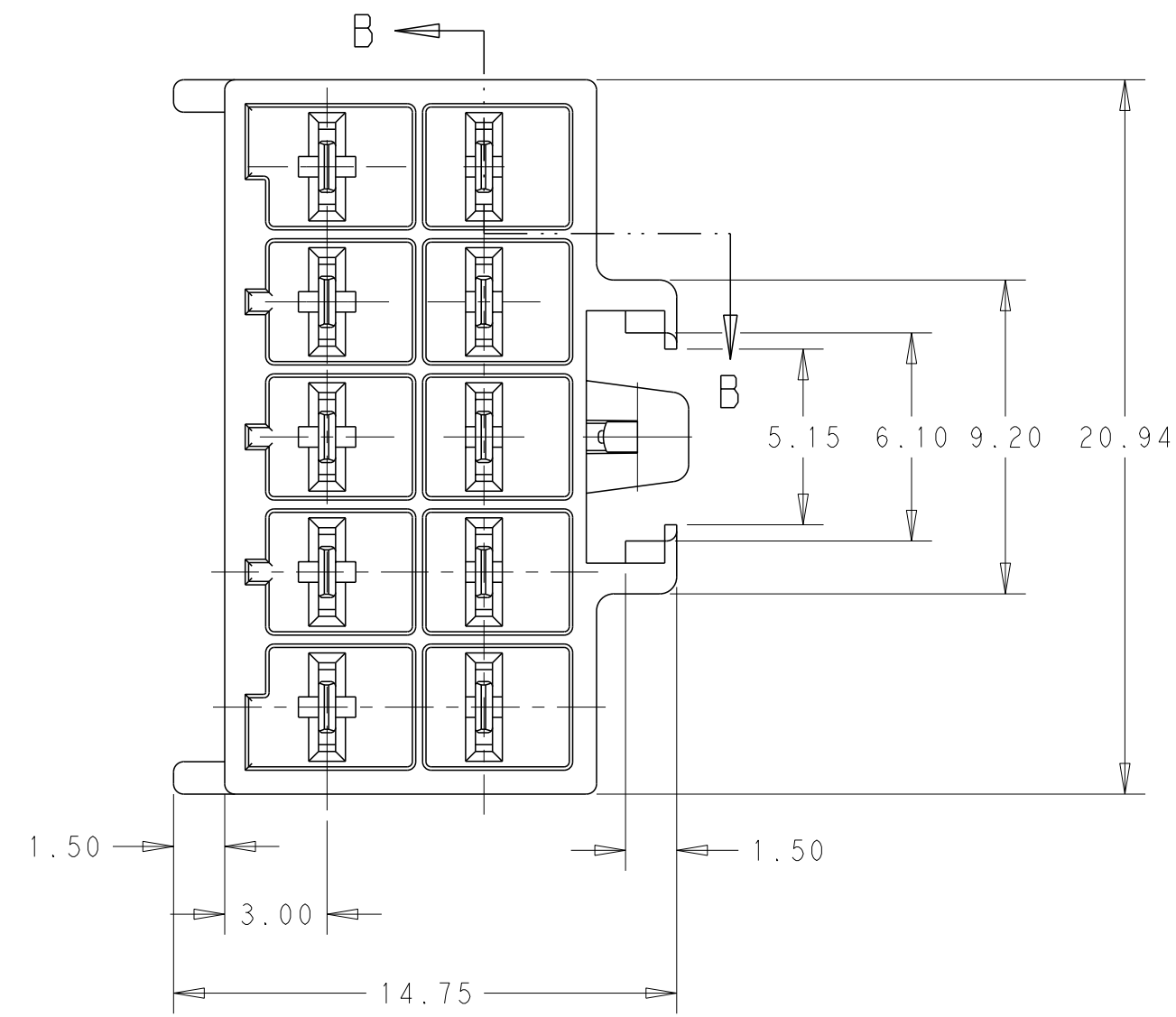
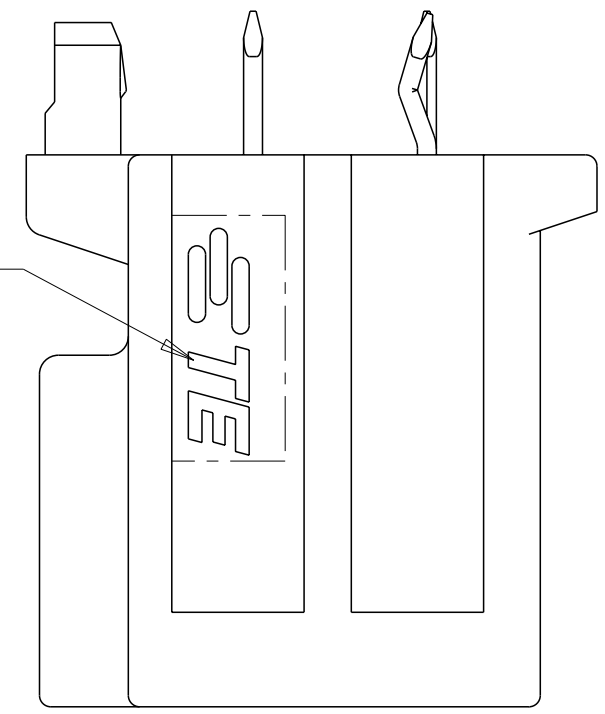
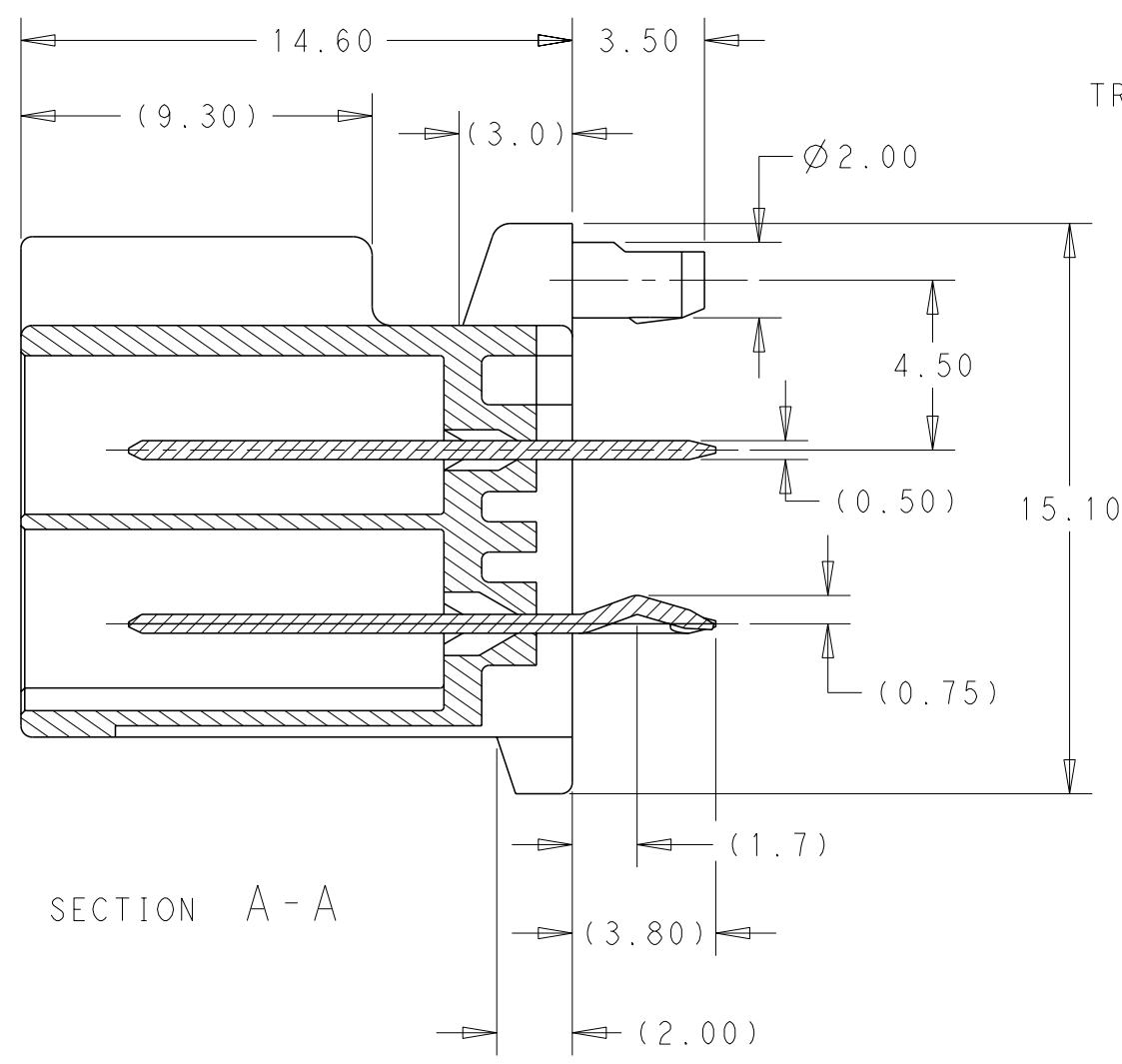
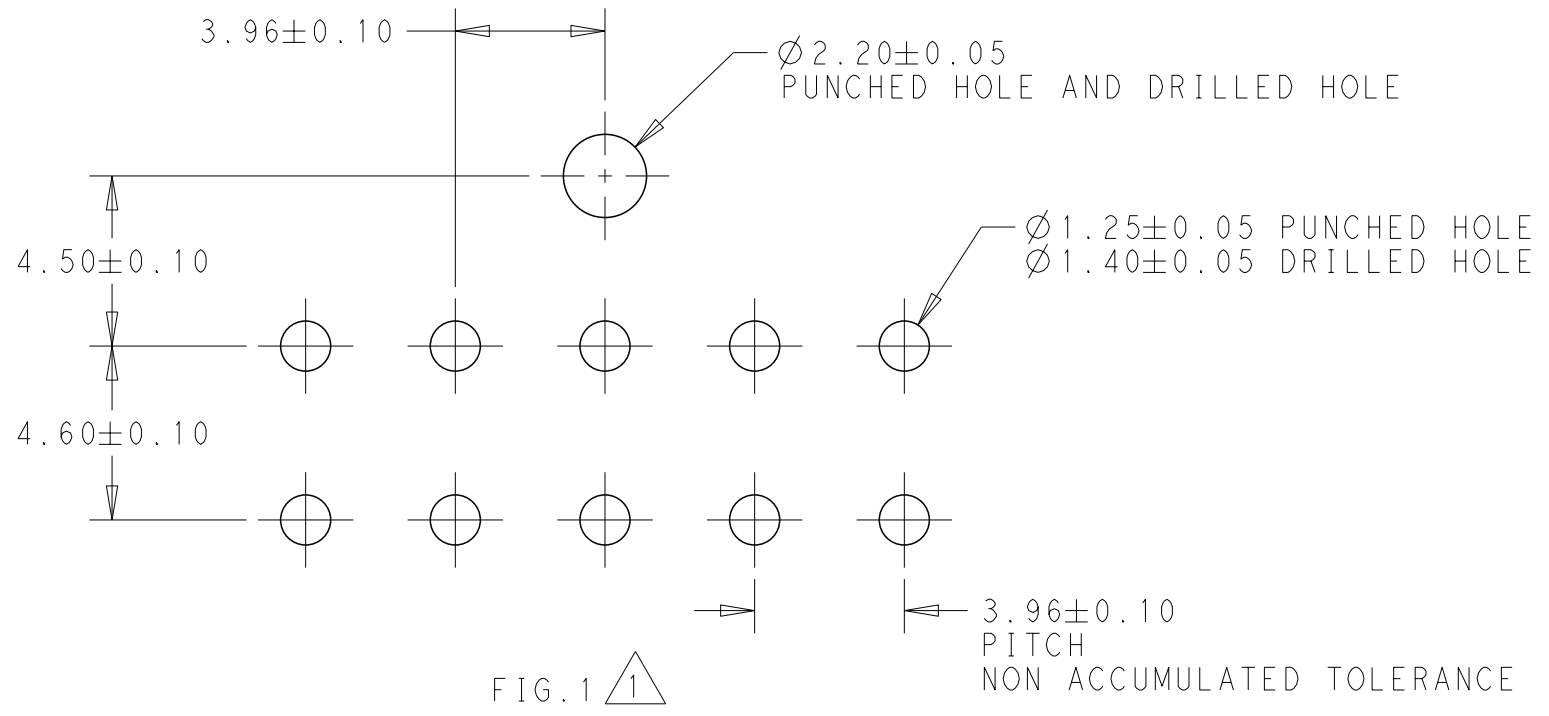


TABLE 1

NO.	NAME	MATERIAL
①	TAB	COPPER ALLOY TIN PLATED
②	HEADER HOUSING	6/6 NYLON GLASS FILLED (UL94V-0)



- 1 RECOMMENDED P.C.B LAYOUT: SEE FIG.1
- 2 APPLICABLE P.C.B THICKNESS: 1.6
- 3 MATING CONN, P/N  
 PLUG HOUSING : 177904-□  
 REC CONTACT : 177914-□  
 177915-□  
 2232901-□  
 2232902-□



NATURAL	2317123-1
COLOR	ASSEMBLY PART NO.

THIS DRAWING IS A CONTROLLED DOCUMENT.		DWN NINA LIU 20MAR17	<b>STE</b> TE Connectivity	
DIMENSIONS: mm		CHK DANIEL ZHANG 20MAR17		
TOLERANCES UNLESS OTHERWISE SPECIFIED:		APVD DANIEL ZHANG 20MAR17	NAME AMP POWER DBL LOCK CONN 3.96mm PITCH 10P TAB HEADER ASS'Y (DBL ROW) V TYPE	
0 PLC ±		PRODUCT SPEC 108-5410	SIZE CAGE CODE DRAWING NO	
1 PLC ±0.2		APPLICATION SPEC 114-5175	RESTRICTED TO	
2 PLC ±0.25		WEIGHT	A200779C-2317123	
3 PLC ±0.3		MATERIAL SEE TABLE 1	SCALE N/A SHEET 1 OF 1 REV A	
4 PLC ±		FINISH SEE TABLE 1		
ANGLES ±3°		CUSTOMER DRAWING		