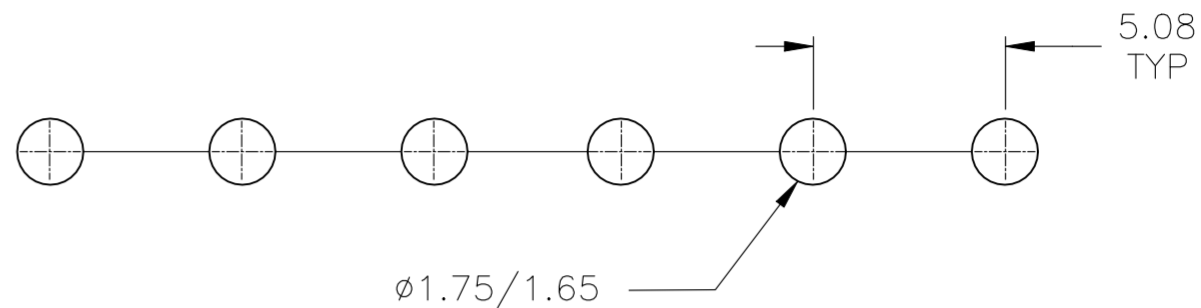
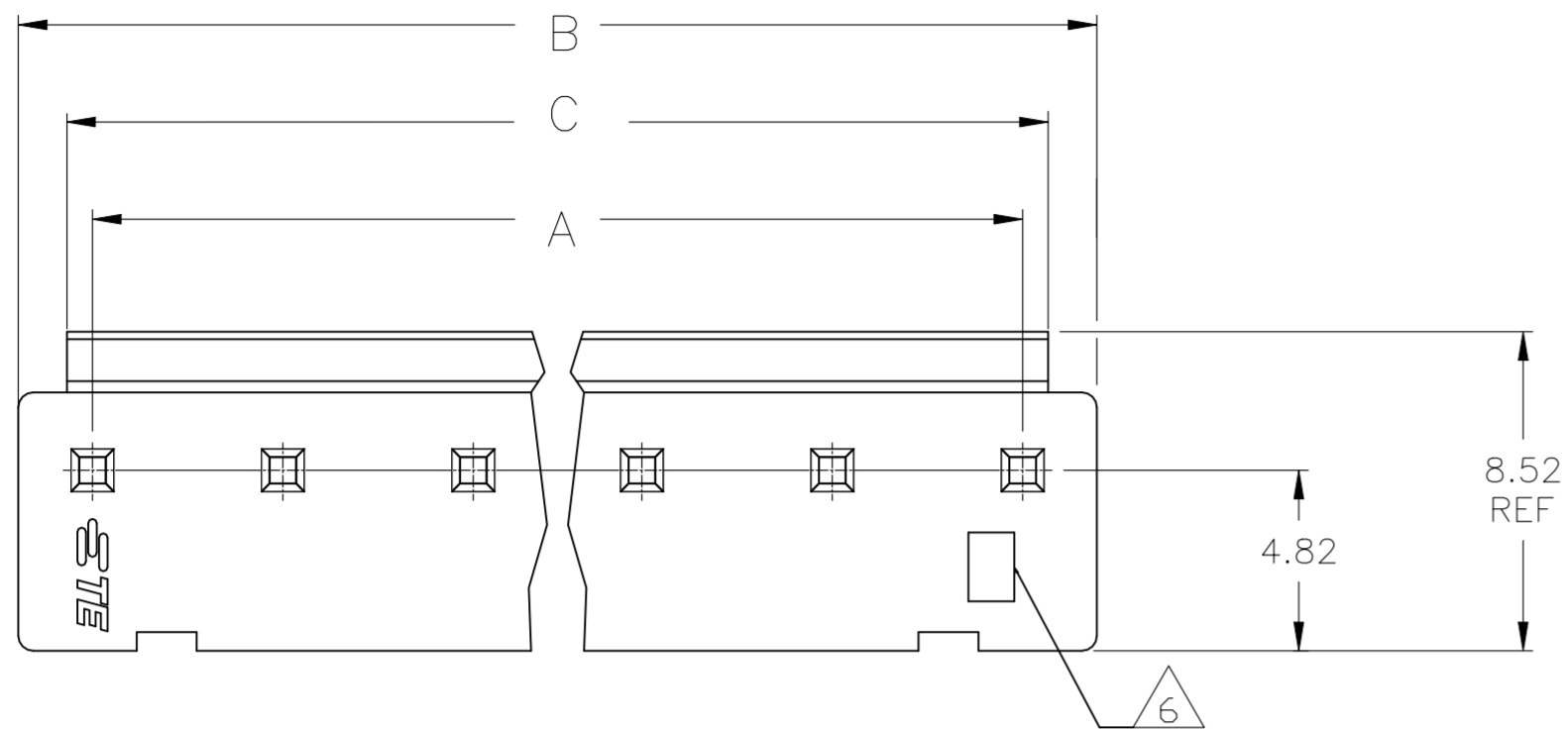
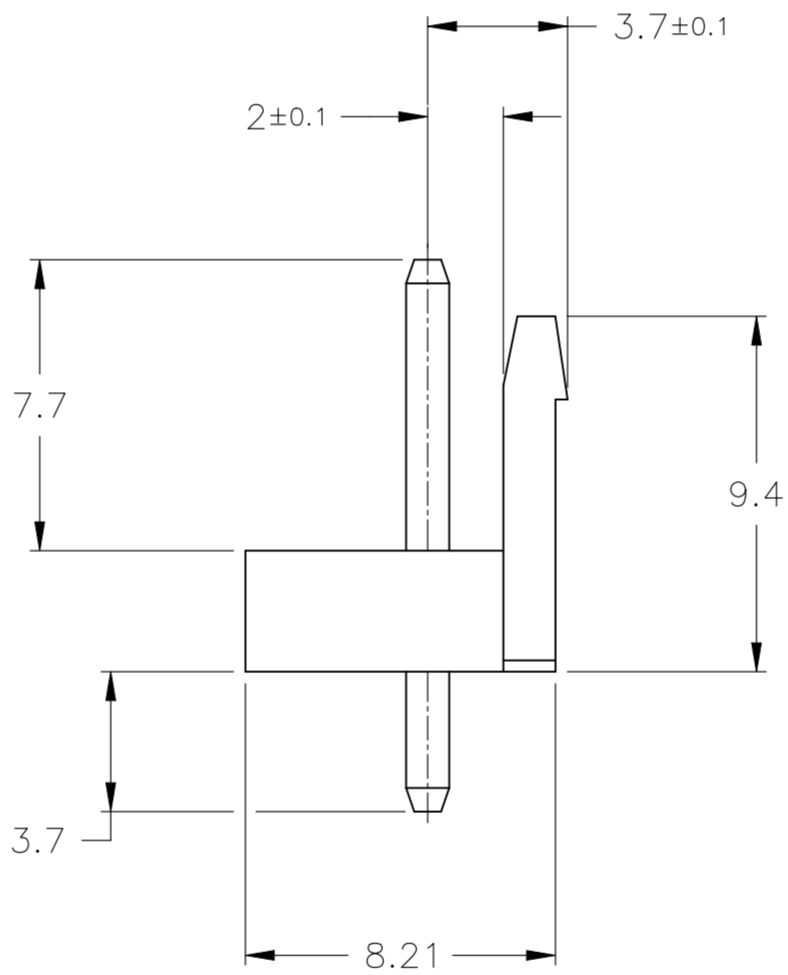
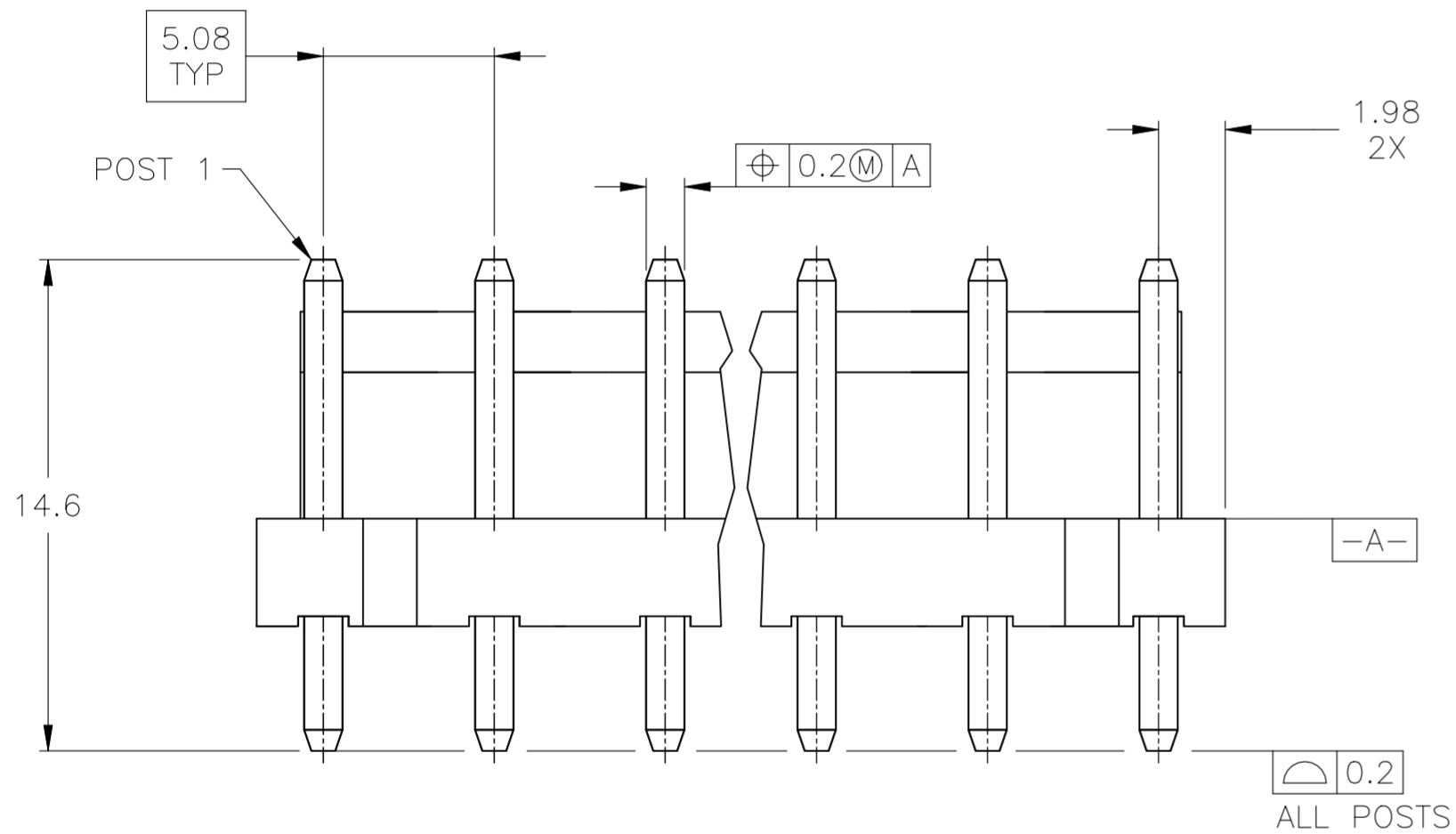


THIS DRAWING IS UNPUBLISHED. RELEASED FOR PUBLICATION  
 © COPYRIGHT By - ALL RIGHTS RESERVED.

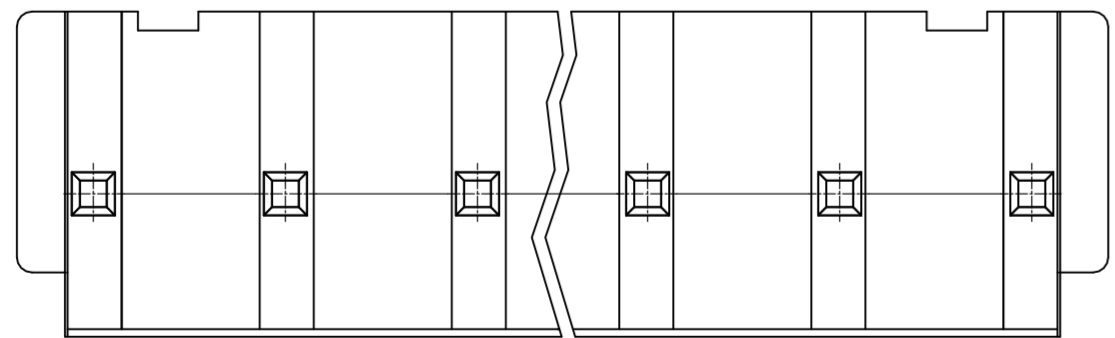
REVISIONS					
P	LTR	DESCRIPTION	DATE	DWN	APVD
B1		REVISED PER ECR-24-198324	19FEB2024	N.H	L.C



RECOMMENDED PC BOARD LAYOUT



- HOUSING MATERIAL: NYLON 66, UL94V-0, NATURAL.
  - CONTACT MATERIAL: COPPER ALLOY
  - CONTACT PLATING: 0.003MM MIN TIN OVER 0.001MM MIN NICKEL
  - SKETCHES SHOW NO CONTACTS MISSING.
- $\triangle 0$  : WITH PIN,  
 $\triangle X$  : WITHOUT PIN.
- MANUFACTURING LOCATION MARKS TO APPEAR APPROXIMATELY AS SHOWN.



×	○	×	○	/	/	/	/	/	/	/	/	/	/	16.58	19.2	15.24	4	1-2316953-4	
○	×	×	○	/	/	/	/	/	/	/	/	/	/	16.58	19.2	15.24	4	2316953-4	
○	×	○	/	/	/	/	/	/	/	/	/	/	/	11.5	14.12	10.16	3	2316953-3	
1	2	3	4	5	6	7	8	9	10	11	12	DIM C ±0.2		DIM B ±0.3		DIM A ±0.3		POS.	PART NUMBER
PIN POSITION $\triangle 8$																			

THIS DRAWING IS A CONTROLLED DOCUMENT.

DWN	OTTO CHEN	06MAR2017	 TE Connectivity						
CHK	DANIEL Z	08MAR2017							
APVD	DANIEL Z	08MAR2017							
NAME	DANIEL Z								
PRODUCT SPEC	108-5609		HEADER ASSEMBLY-ECONOMY POWER VERTICAL, .200 CENTERLINE						
APPLICATION SPEC			SIZE	CAGE CODE	DRAWING NO	RESTRICTED TO			
MATERIAL	SEE NOTES		A2	00779	C=2316953	-			
FINISH			WEIGHT	-	SCALE	N/A			
			CUSTOMER DRAWING	SCALE	N/A	SHEET	1 of 1	REV	B1