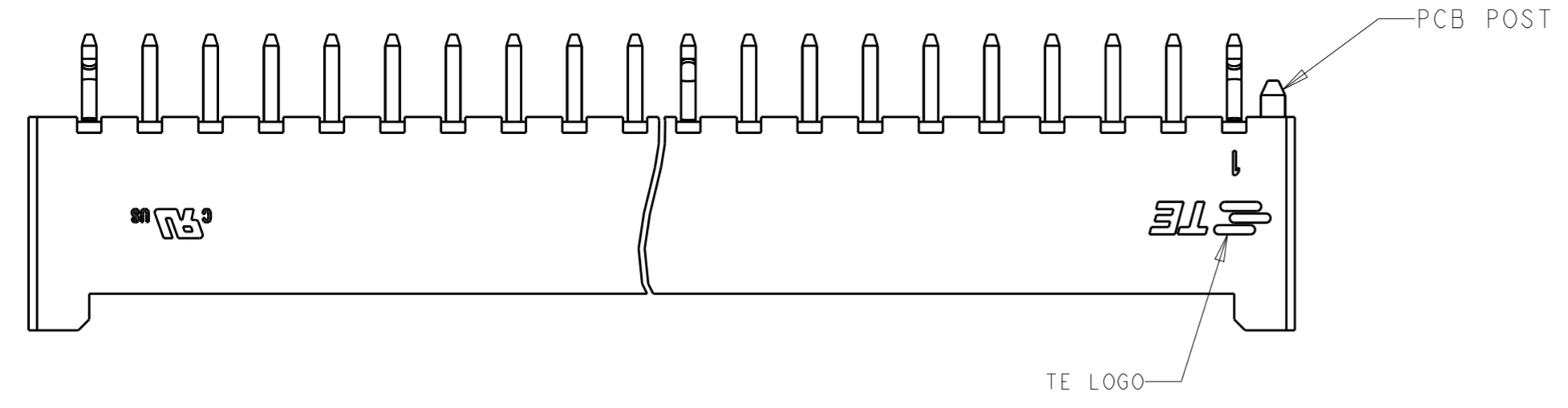
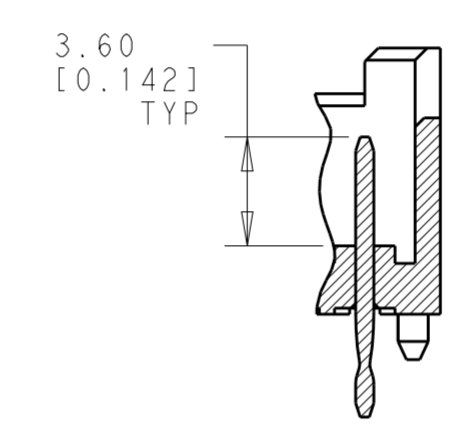
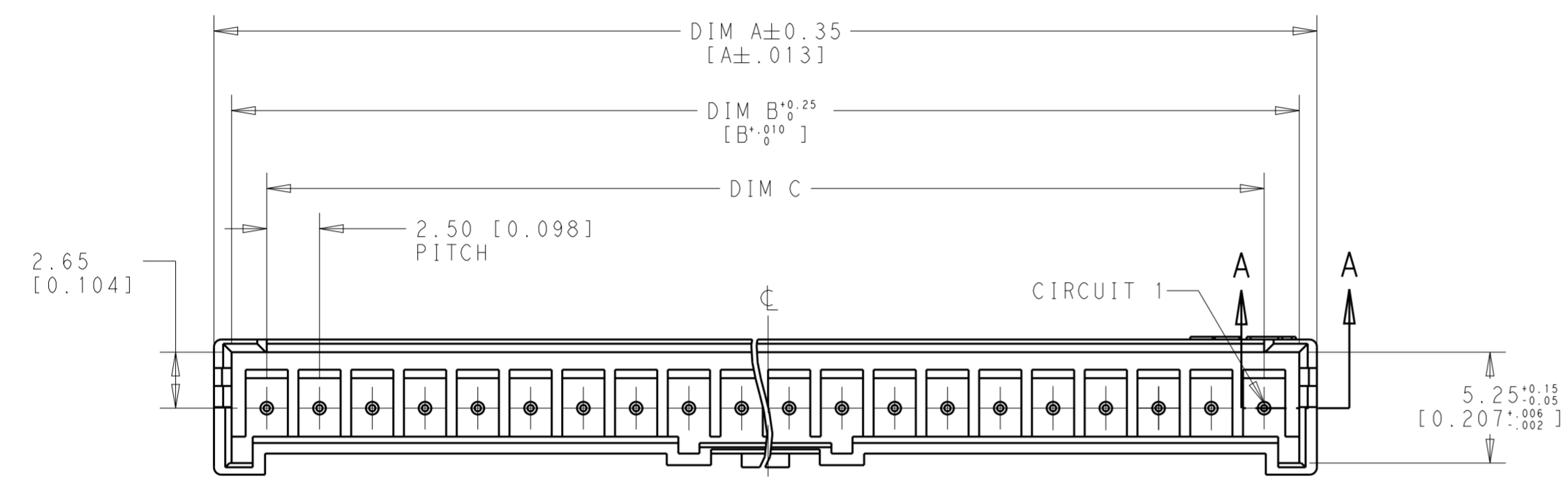


THIS DRAWING IS UNPUBLISHED. RELEASED FOR PUBLICATION
 © COPYRIGHT copyright.d8Te- ALL RIGHTS RESERVED.

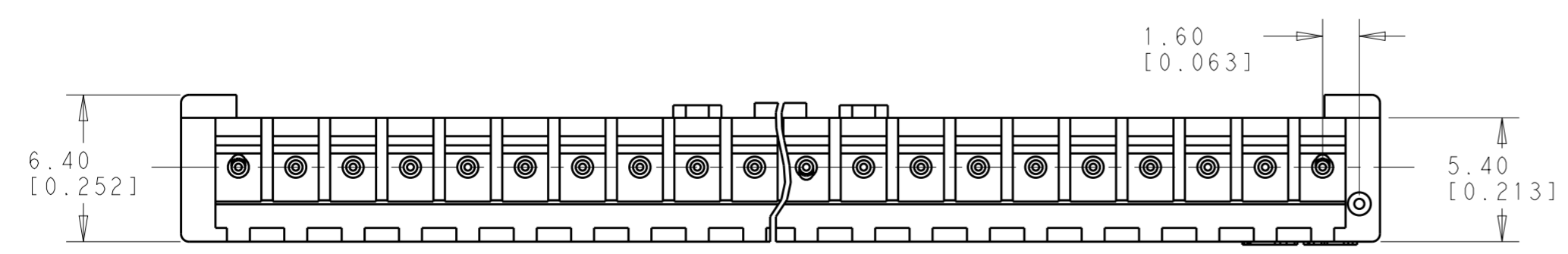
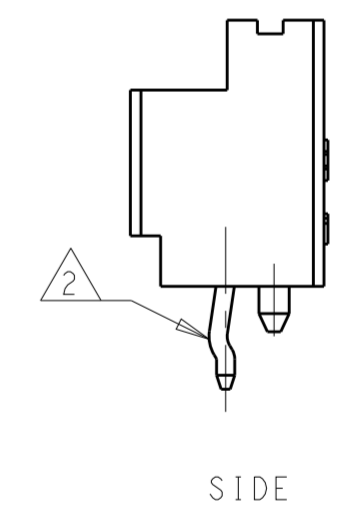
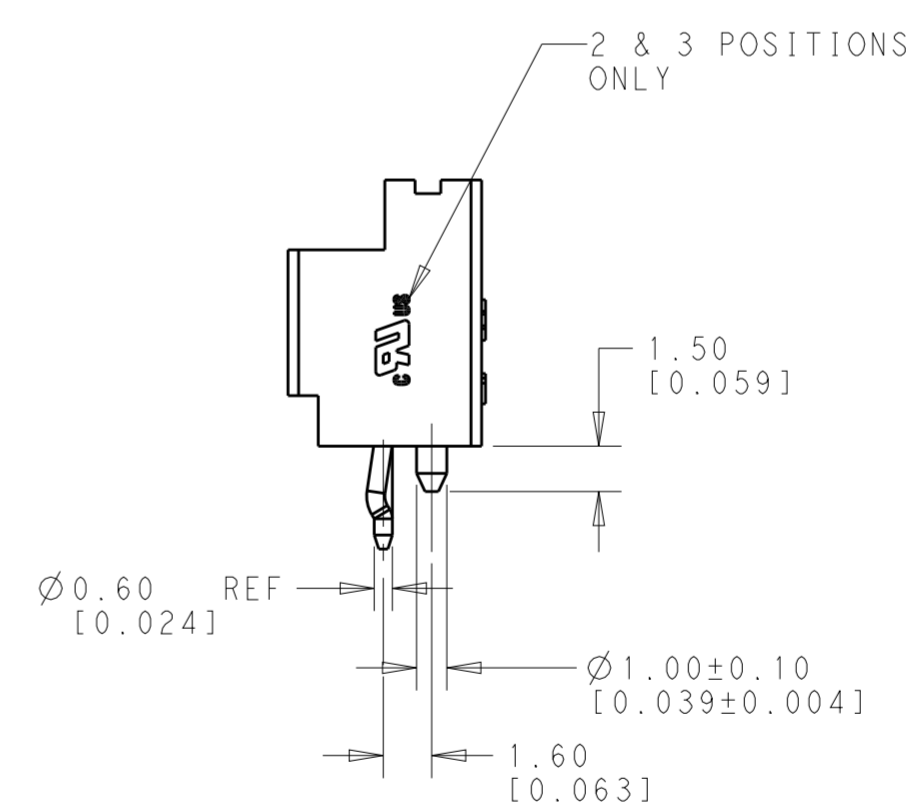
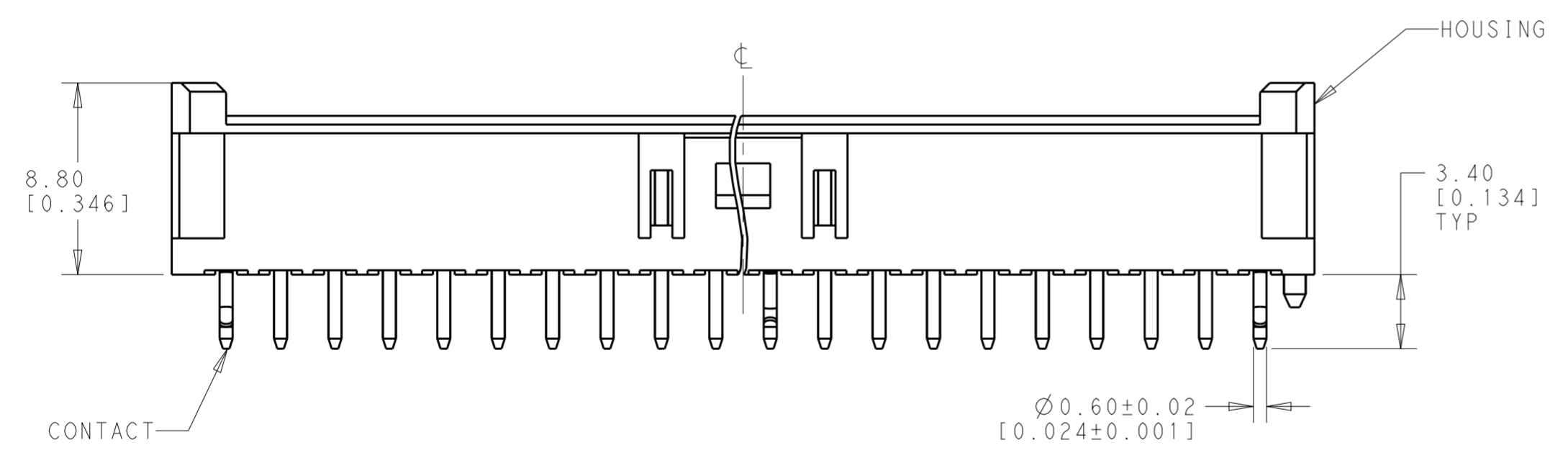
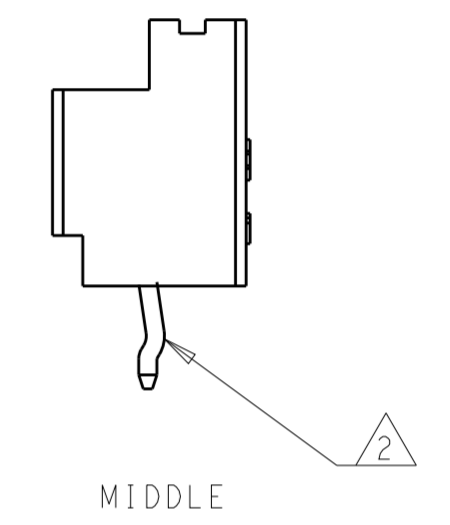
REVISIONS					
P	LTR	DESCRIPTION	DATE	DWN	APVD
	A1	REVISED PER ECR-17-002979	01MAR2017	O.C	D.Z



- 1 MATERIAL: HOUSING: THERMOPLASTIC, UL94 V0, COLOR: NATURAL. TERMINAL: BRASS, NICKEL UNDER PLATING, Tin PLATING ON PIN AREA.
- 2 CONTACT SOLDER TAIL KINK DIRECTION (BOAR LOCK) SEE BELOW TABLE.
3. COMPLY WITH GLOW WIRE REQUIREMENTS FOR PARTS OF NON-METALLIC MATERIAL SUPPORTING A CURRENT-CARRYING CONNECTION DETAILED IN IEC 60335-1, SECTION 30(GWT).
4. SKETCHES SHOW NO PINS MISSING.



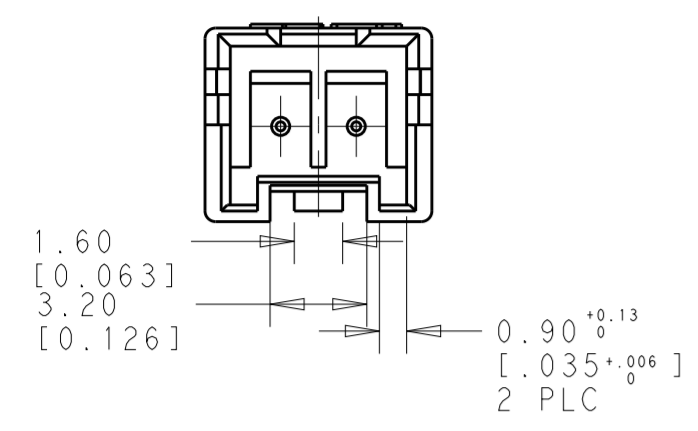
SECTION A-A



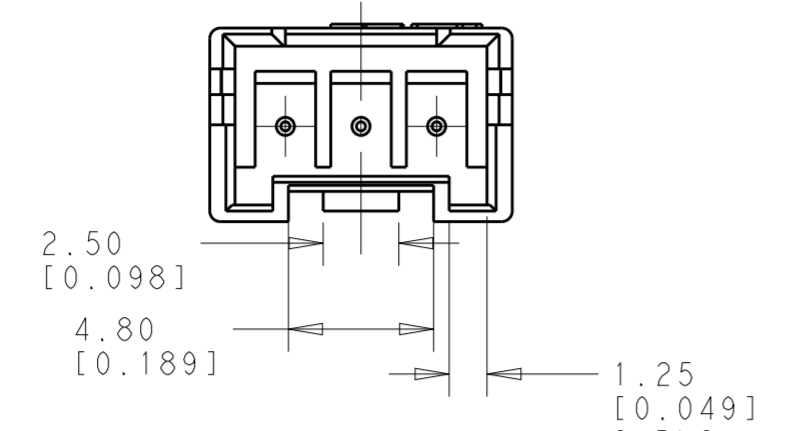
THIS DRAWING IS A CONTROLLED DOCUMENT.		DWN: QITO CHEN 22FEB2017	TE Connectivity	
DIMENSIONS: mm [INCHES]		CHK: DANIEL 25FEB2017		
TOLERANCES UNLESS OTHERWISE SPECIFIED:		APVD: DANIEL 25FEB2017	NAME: HEADER ASSEMBLY, VERTICAL, ECONOMY POWER, 2.5mm CENTERLINE	
0 PLC ±		PRODUCT SPEC: 108-2418	SIZE: A2	CAGE CODE: 00779
1 PLC ±.30		APPLICATION SPEC: 114-13315	DRAWING NO: C-2316873	RESTRICTED TO: -
2 PLC ±.20		WEIGHT: -	SCALE: 4:1	SHEET 1 OF 2
3 PLC ±		CUSTOMER DRAWING	REV A1	
4 PLC ±				
ANGLES ±3°				
FINISH -				

THIS DRAWING IS UNPUBLISHED. RELEASED FOR PUBLICATION
 © COPYRIGHT copyright.d8te- ALL RIGHTS RESERVED.

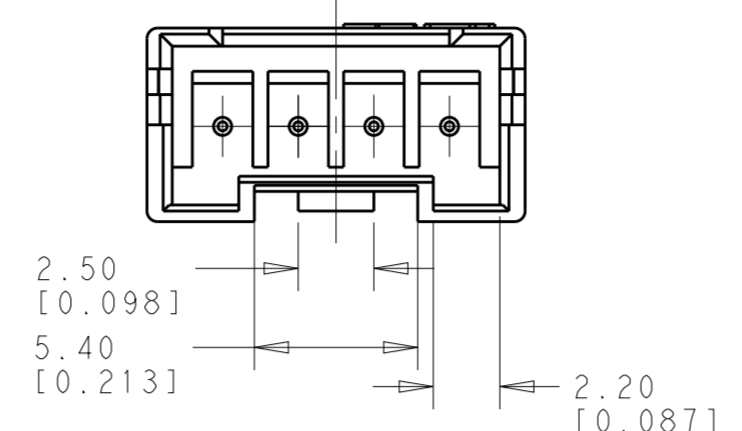
REVISIONS				
P	LTR	DESCRIPTION	DATE	APVD
-	-	SEE SHEET 1	-	-



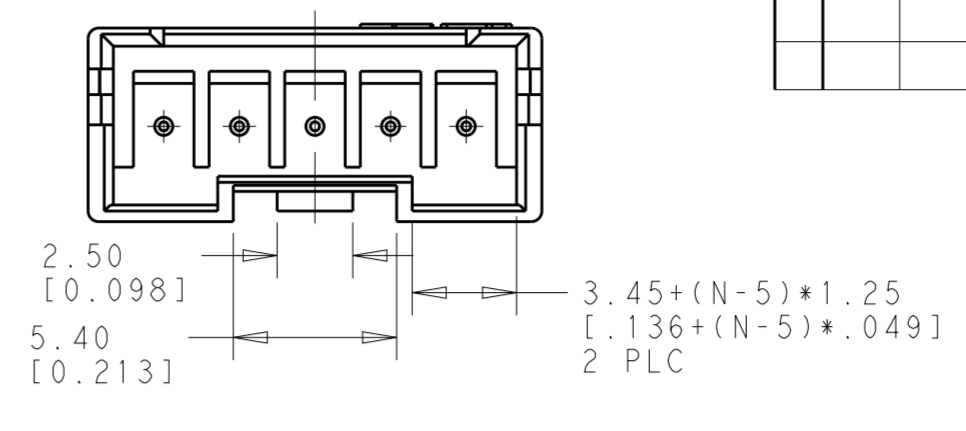
2 POSITION



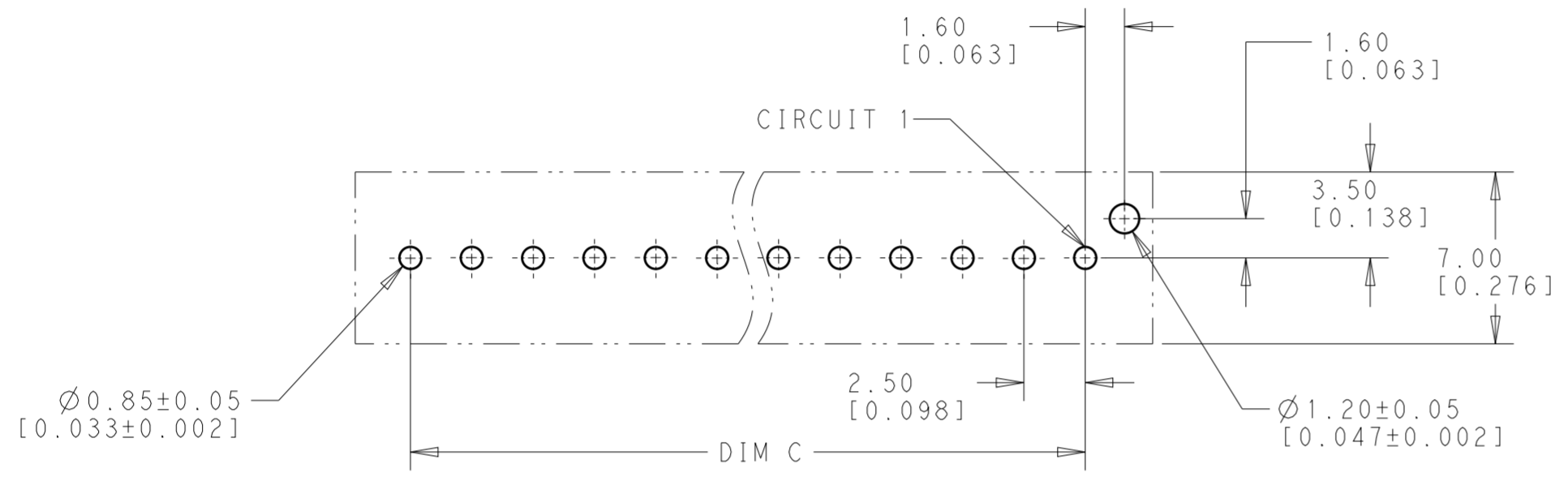
3 POSITION



4 POSITION

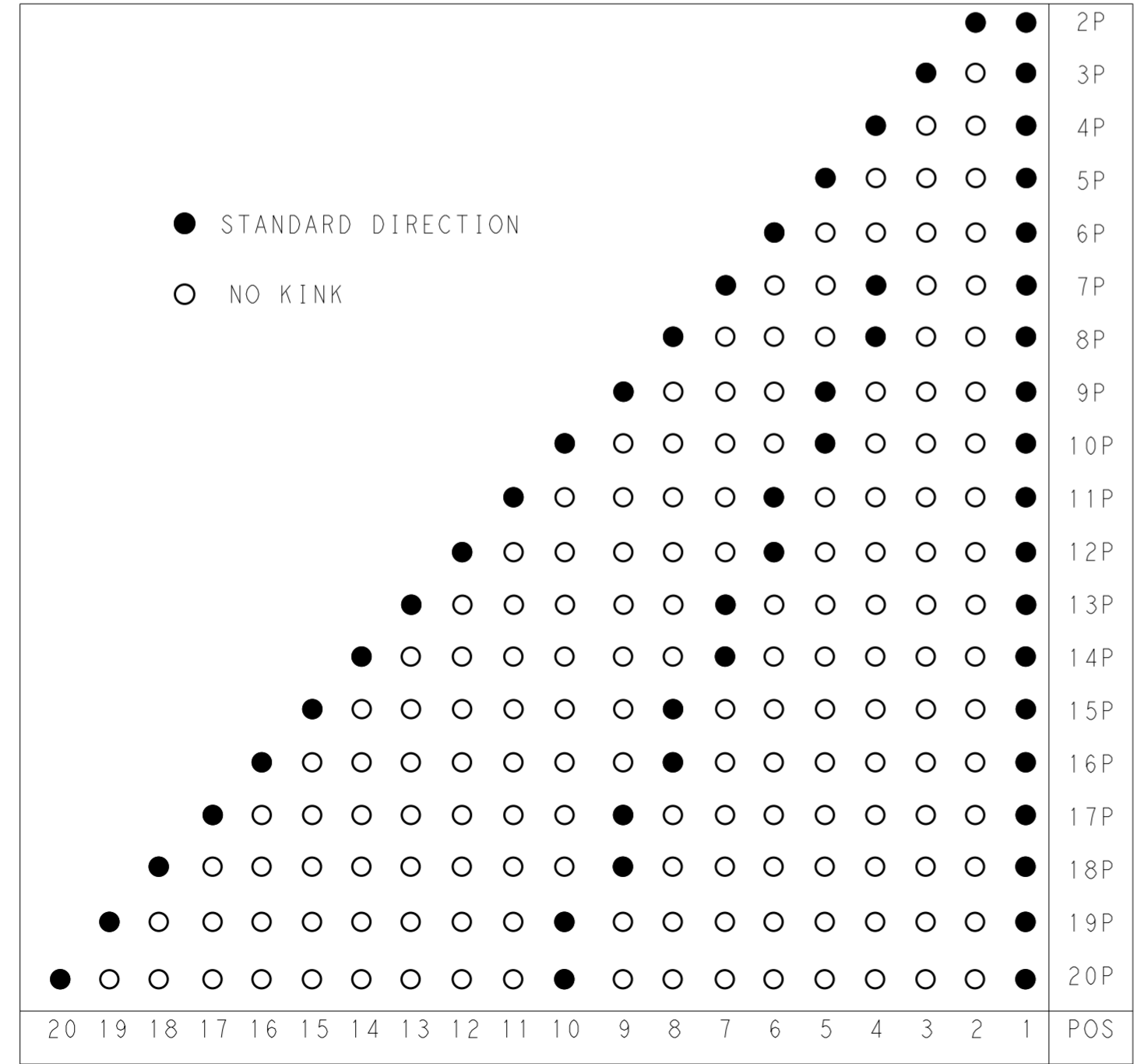


N= 5 THRU 20 POSITION



RECOMMENDED PCB LAYOUT

2



47.5 [1.870]	50.83[2.001]	52.5 [2.067]	-	20	-
45.0 [1.772]	48.33[1.903]	50.0 [1.968]	-	19	-
42.5 [1.673]	45.83[1.804]	47.5 [1.870]	-	18	-
40.0 [1.575]	43.33[1.706]	45.0 [1.772]	-	17	-
37.5 [1.476]	40.83[1.607]	42.5 [1.673]	-	16	-
35.0 [1.378]	38.33[1.510]	40.0 [1.575]	-	15	-
32.5 [1.280]	35.83[1.411]	37.5 [1.476]	-	14	-
30.0 [1.181]	33.33[1.312]	35.0 [1.378]	-	13	-
27.5 [1.083]	30.83[1.214]	32.5 [1.280]	-	12	-
25.0 [0.984]	28.33[1.115]	30.0 [1.181]	-	11	-
22.5 [0.886]	25.83[1.016]	27.5 [1.083]	2, 4, 6, 8	10	1-2316873-0
20.0 [0.787]	23.33[0.919]	25.0 [0.984]	-	9	-
17.5 [0.689]	20.83[0.820]	22.5 [0.886]	-	8	-
15.0 [0.591]	18.33[0.722]	20.0 [0.787]	6	7	2316873-7
12.5 [0.492]	15.83[0.623]	17.5 [0.689]	-	6	-
10.0 [0.395]	13.33[0.525]	15.0 [0.591]	2, 4	5	2316873-5
7.5 [0.295]	10.83[0.426]	12.5 [0.492]	2, 3	4	2316873-4
5.0 [0.197]	8.33[0.328]	10.0 [0.395]	-	3	-
2.5 [0.098]	5.83[0.229]	7.5 [0.295]	-	2	-
DIM C	DIM B	DIM A	OMIT PIN#	NO. OF POSITIONS.	PART NO

THIS DRAWING IS A CONTROLLED DOCUMENT. DWN: 22FEB2017
 CHK: OTO CHEN 25FEB2017
 APVD: DANIEL 25FEB2017
 PRODUCT SPEC: 108-2418
 APPLICATION SPEC: 114-13315
 MATERIAL: - FINISH: - WEIGHT: -
 CUSTOMER DRAWING SCALE: 4:1 SHEET: 2 OF 2 REV: A1

STE TE Connectivity
 NAME: HEADER ASSEMBLY, VERTICAL, ECONOMY POWER, 2.5mm CENTERLINE
 SIZE: A2 CAGE CODE: 00779 DRAWING NO: C-2316873 RESTRICTED TO: -