

THIS DRAWING IS UNPUBLISHED.

RELEASED FOR PUBLICATION

REVISIONS

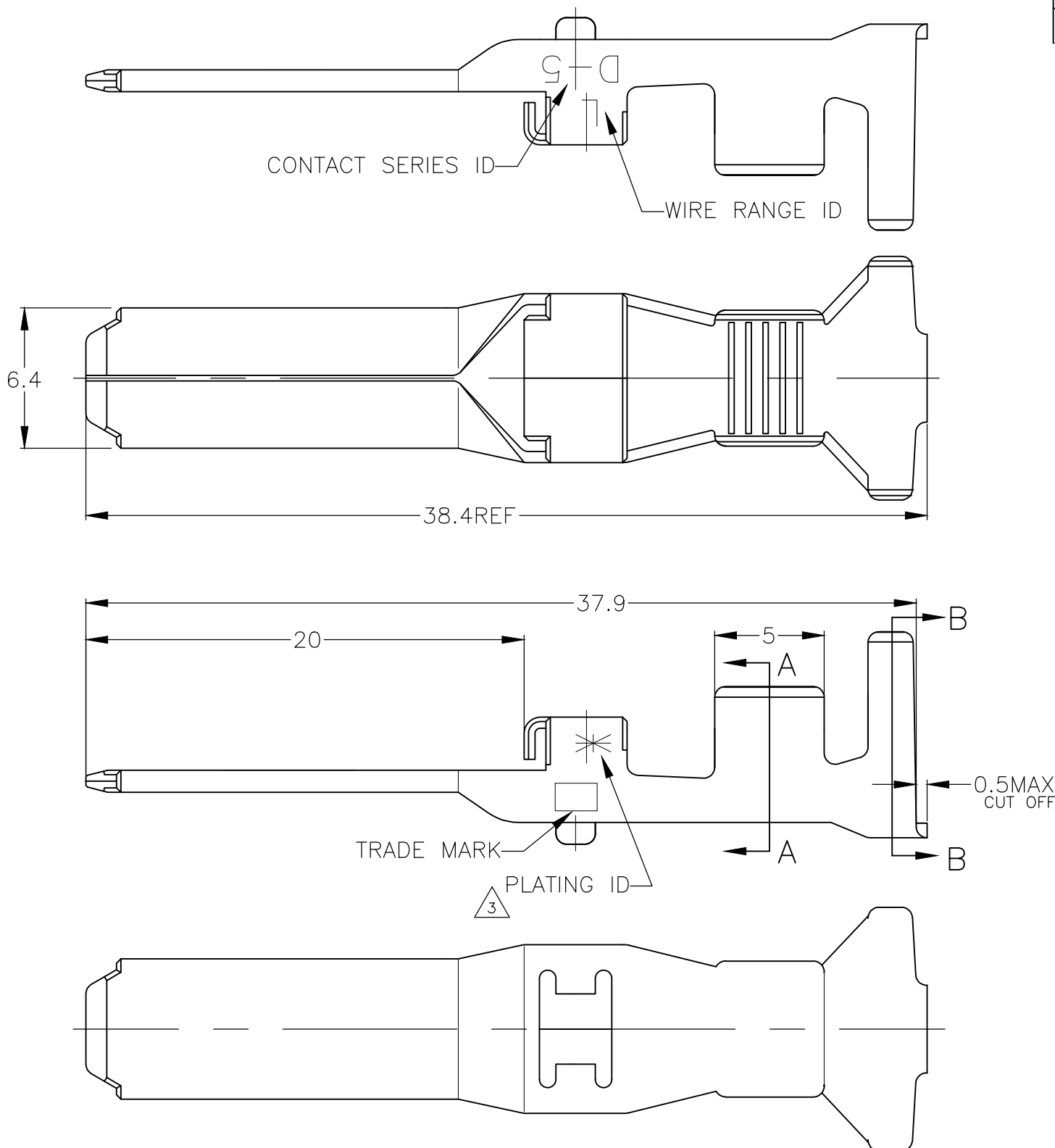
© COPYRIGHT - TE Connectivity Ltd.

ALL RIGHTS RESERVED.

P	LTR	DESCRIPTION	DATE	DWN	APVD
	A	RELEASED	16MAR2018	RI	EI

AS SHOWN : 2316820-1

- 1. MATERIAL : COPPER ALLOY
- 2. PLATING : 0.2um MIN GOLD PLATING OVER NICKEL PLATING
- 3. PLATING ID : -1 (GOLD)



2316820-1
PART NO.

WIRE RANGE (AWG #8) 7.95 ~ 8.92 mm ²	INSULATION DIA $\phi 4.90 \sim \phi 7.80$ MAX
--	--

THIS DRAWING IS A CONTROLLED DOCUMENT.		DWN R. ITO 16MAR2018
DIMENSIONS: mm		CHK T. SHIMOYASU 16MAR2018
TOLERANCES UNLESS OTHERWISE SPECIFIED:		APVD E. IKEMATSU 16MAR2018
0 PLC	± 0.5	PRODUCT SPEC 108-5453
1 PLC	± 0.5	APPLICATION SPEC 114-5206
2 PLC	± 0.5	WEIGHT 2.38g
3 PLC	± 0.5	CUSTOMER DRAWING
4 PLC	± 0.5	
ANGLES	$\pm 5^\circ$	
MATERIAL	FINISH	
1	2	

STE TE Connectivity Ltd.			
NAME TAB CONTACT, LONG L-SIZE L/P DYNAMIC 5000 SERIES			
SIZE A3	CAGE CODE 00779	DRAWING NO C-2316820	RESTRICTED TO -
SCALE 4:1		SHEET 1 OF 1	REV A