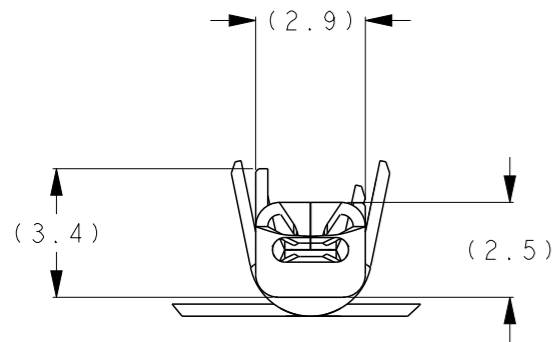
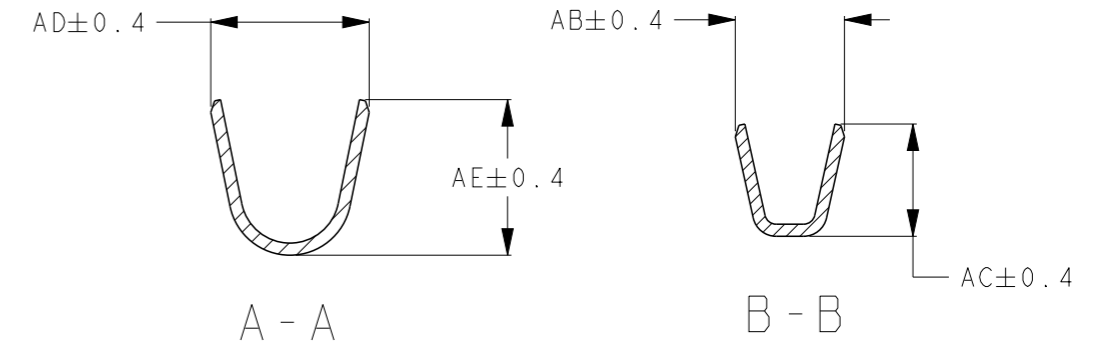
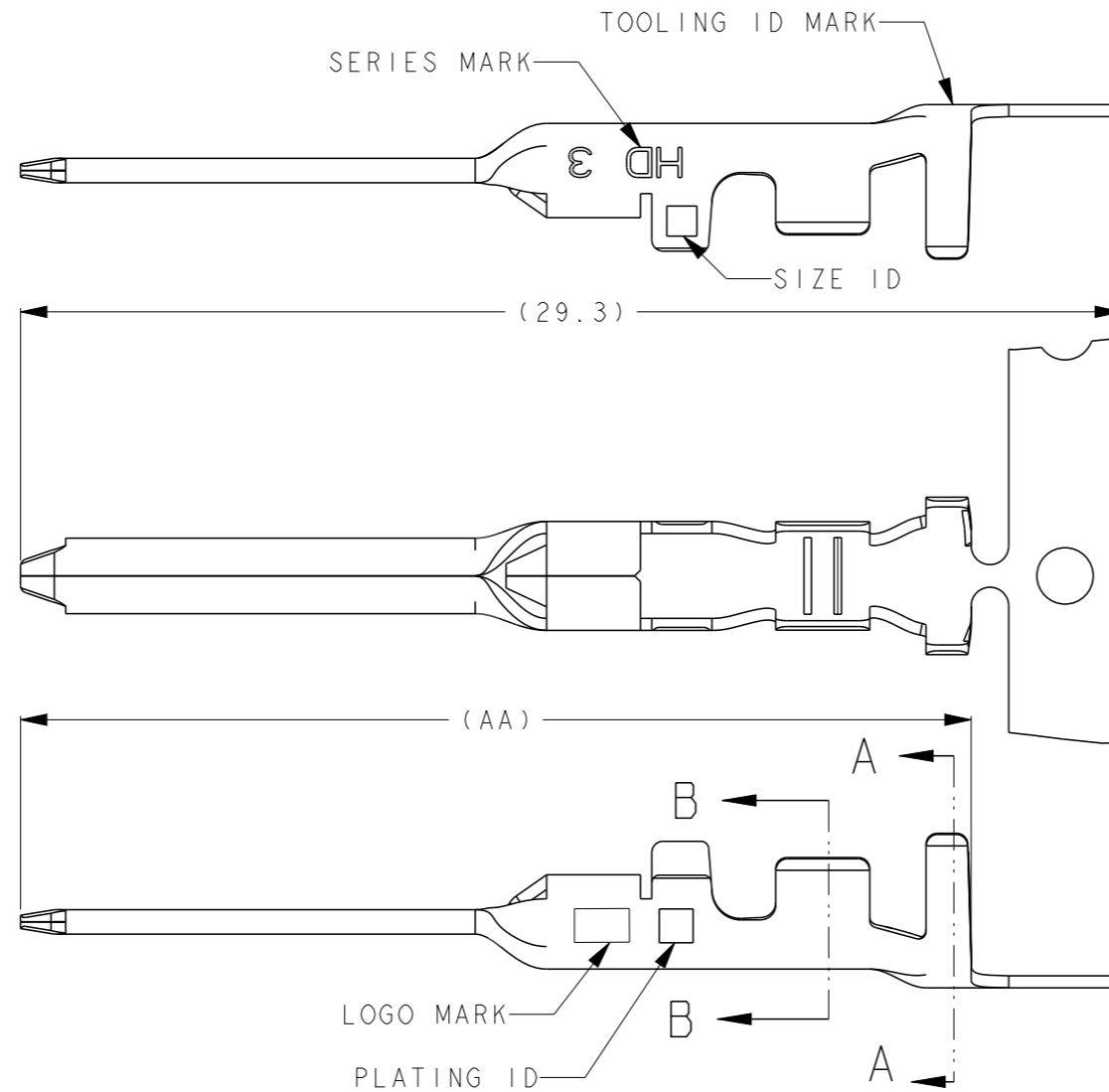


REVISIONS

P	LTR	DESCRIPTION	DATE	DWN	APVD
	A	RELEASE	17NOV2017	TS	EI
	B	REVISED PER ECR-19-002854	26FEB2019	TS	EI



4.02	4.2	3.09	3.2	25.8	2.2-2.8	2L	AWG16-14 1.25-2.2SQmm	P	Pd-Ni 0.38umMIN AU 0.05umMIN	1-2316815-9
4.02	4.2	2.9	2.9	25.3	1.8-2.8	L	AWG20-16 0.5-1.42SQmm	P	Pd-Ni 0.38umMIN AU 0.05umMIN	1-2316815-8
3.9	4.8	3.09	3.2	25.8	3.1-3.4	3L	AWG16-14 1.25-2.2SQmm	2	AU 0.38umMIN	2316815-5
4.02	4.2	3.09	3.2	25.8	2.2-2.8	2L	AWG16-14 1.25-2.2SQmm	2	AU 0.38umMIN	2316815-4
4.02	4.2	2.9	2.9	25.3	1.8-2.8	L	AWG20-16 0.5-1.42SQmm	2	AU 0.38umMIN	2316815-3
3.74	3.6	2.15	2.3	25.3	1.2-2.6	M	AWG24-20 0.2-0.5SQmm	2	AU 0.38umMIN	2316815-2
2.5	2.6	1.81	1.8	25.3	0.8-1.4	S	AWG28-24 0.08-0.2SQmm	2	AU 0.38umMIN	2316815-1
AE	AD	AC	AB	AA	INSUL. RANGE	SIZE ID	WIRE RANGE	PLATING ID	CONTACT POINT PLATING	PART NUMBER

THIS DRAWING IS A CONTROLLED DOCUMENT.

DWN T. SHIMOYASU 17NOV2017
CHK E. IKEMATSU 17NOV2017
APVD E. IKEMATSU 17NOV2017

STE TE Connectivity

NAME CONTACT, TAB, HD3
HDC DYNAMIC

PRODUCT SPEC 108-140158
APPLICATION SPEC 114-78024

MATERIAL COPPER ALLOY
FINISH NI UNDER AT CONTACT AREA

WEIGHT -

SIZE A300779 CAGE CODE C-2316815 DRAWING NO 2316815 RESTRICTED TO -

CUSTOMER DRAWING SCALE 5:1 SHEET 1 OF 1 REV B