

THIS DRAWING IS UNPUBLISHED.

RELEASED FOR PUBLICATION

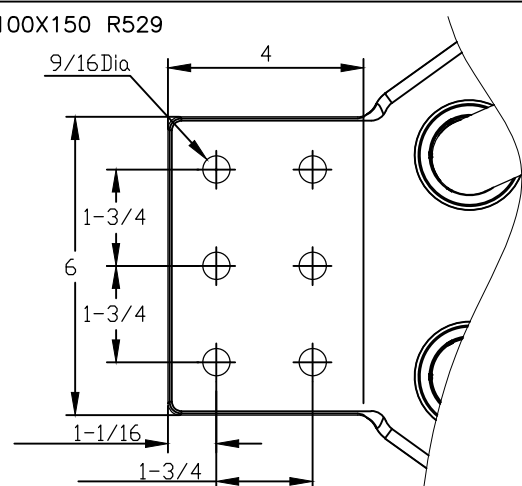
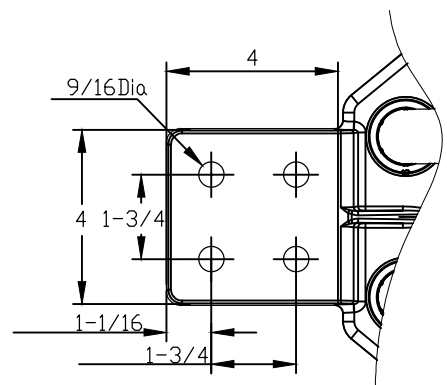
REVISIONS

© COPYRIGHT - TE Connectivity Ltd.

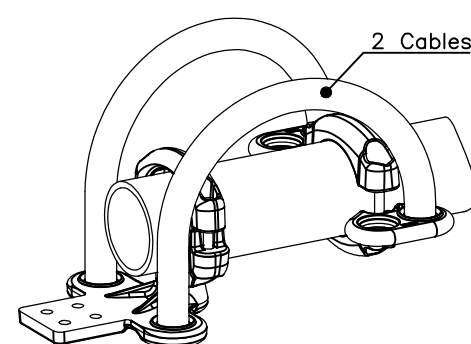
ALL RIGHTS RESERVED.

PAD 100 C290

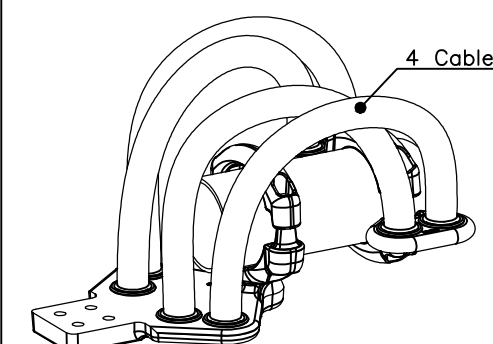
PAD 100X150 R529



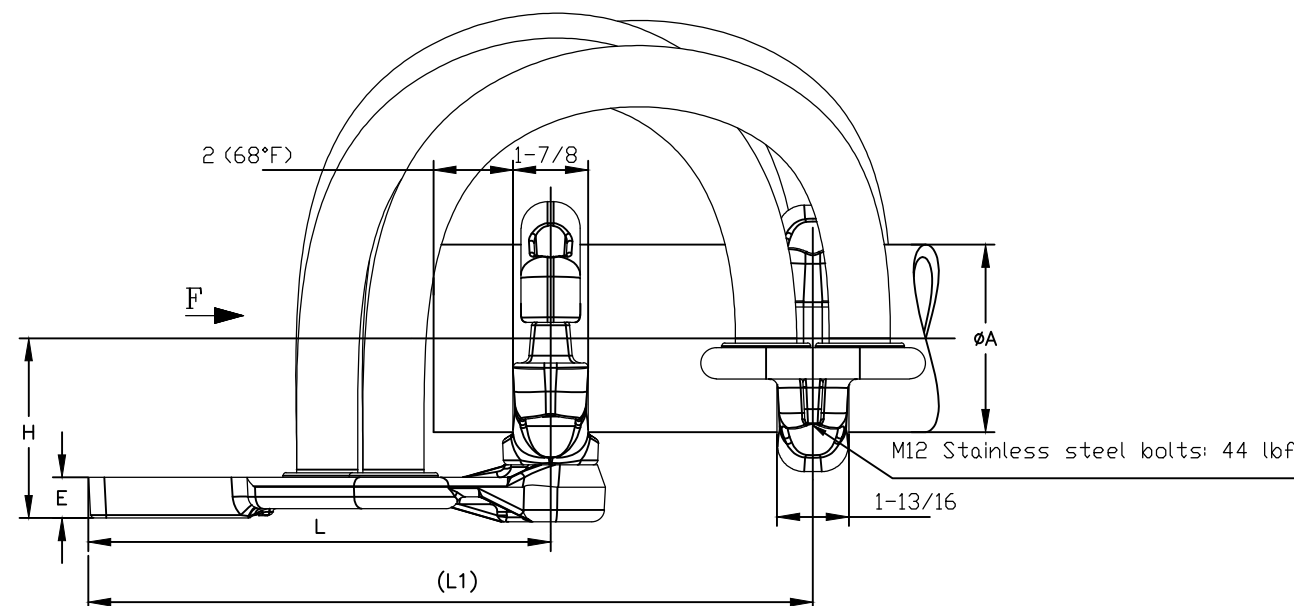
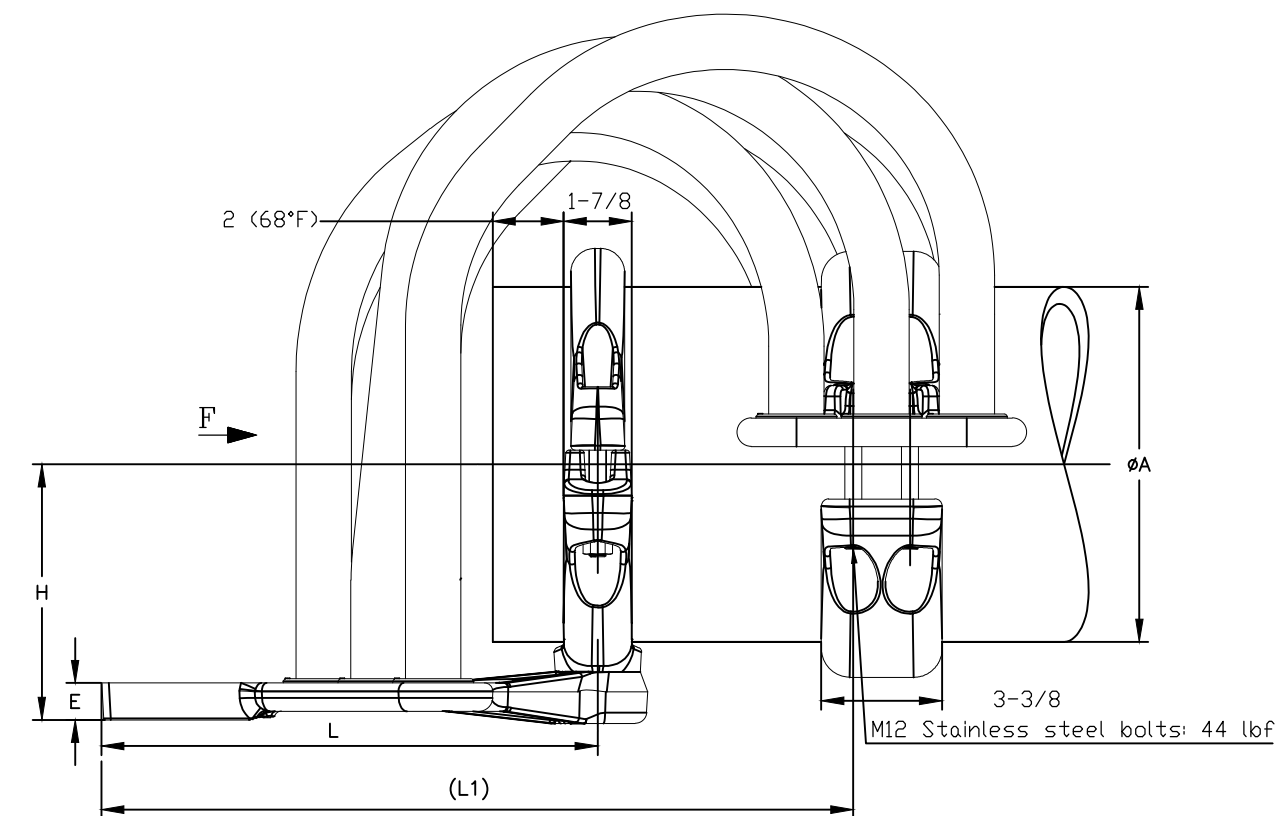
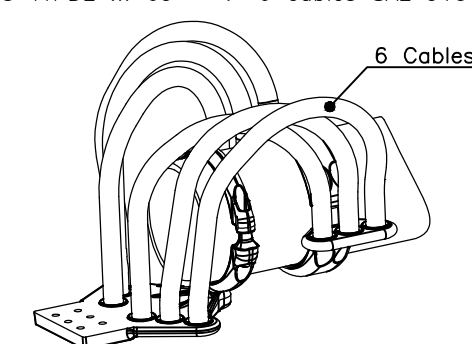
5 TTPDL ... 27 ==> 2 cables SAL 721  
 5 TTPDL ... 29 ==> 2 cables SAL 910



5 TTPDL ... 47 ==> 4 cables SAL 721  
 5 TTPDL ... 49 ==> 4 cables SAL 910

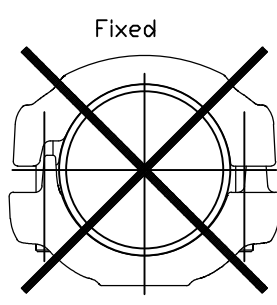
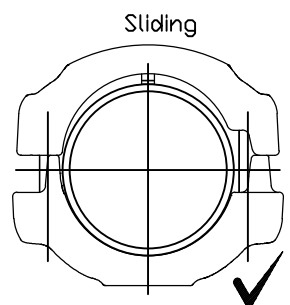


5 TTPDL ... 67 ==> 6 cables SAL 721  
 5 TTPDL ... 69 ==> 6 cables SAL 910



IPS	ØA	PAD x E	H	L	L1	DESCRIPTION	PART NUMBER	WEIGHT (Lbs)
2-1/2	2-7/8	4 x 5/8	3-1/8	8	17-3/16	5 TTPDL 82 T2*1/2IPS 100 C290 27	2316426-7	13,0
3	3-1/2	4 x 5/8	3-5/8	8	17-3/16	5 TTPDL 82 T3*IPS 100 C290 29	2316426-8	14,2
3-1/2	4	4 x 5/8	4	8	17-3/16	5 TTPDL 82 T3*1/2IPS 100 C290 29	2316426-9	14,8
4	4-1/2	4 x 1	4-1/2	8	17-3/16	5 TTPDL 82 T4*IPS 100 C290 47	1-2316426-0	15,7
5	5-9/16	6 x 1	5	11-1/2	19-3/8	5 TTPDL 82 T5*IPS 100X150 R529 47	1-2316426-1	31,6
6	6-5/8	6 x 1	5-1/2	11-1/2	19-3/8	5 TTPDL 82 T6*IPS 100X150 R529 49	1-2316426-2	33,2
6 EHPS	6-5/8	6 x 1	5-1/2	13-11/16	20-7/8	5 TTPDL 82 T6*EHPS 100x150 R529 69	1-2316426-3	45,2

F  
 (No scale)  
 (Sans échelle)



THIS DRAWING IS A CONTROLLED DOCUMENT.

DWN GARNIER P 07FEB2017

CHK A. BULZA 09JUN2020

APVD B. JOHNSON 12JUN2020

PRODUCT SPEC

APPLICATION SPEC

WEIGHT SEE TABLE

CUSTOMER DRAWING

STE TE Connectivity Ltd.

STRAIGHT BOLTED EXPANSION TERMINAL BUS TO 4 HOLE PAD, 2 1/2 TO 6 INCH IPS SIMABUS

SIZE CAGE CODE DRAWING NO RESTRICTED TO

A3 00779 C-2316426

SCALE NTS SHEET 1 OF 2 REV B

THIS DRAWING IS UNPUBLISHED.

RELEASED FOR PUBLICATION

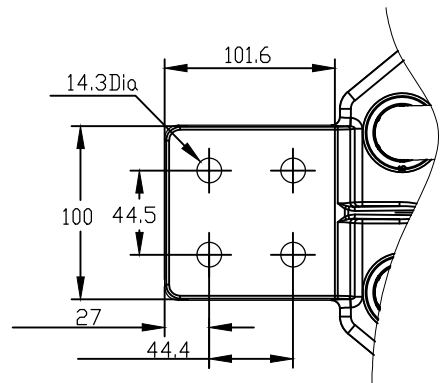
© COPYRIGHT - TE Connectivity Ltd.

ALL RIGHTS RESERVED.

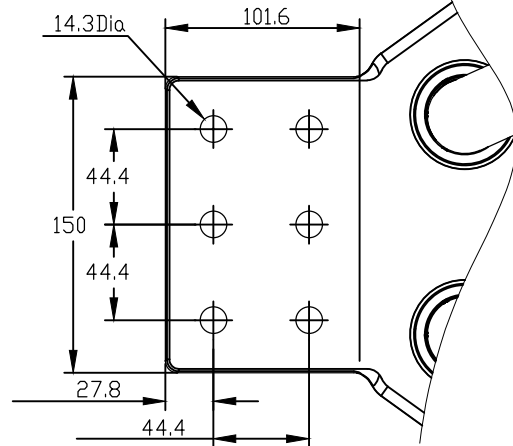
REVISIONS

P	LTR	DESCRIPTION	DATE	DWN	APVD
-	-	SEE SHEET 1	-	-	-

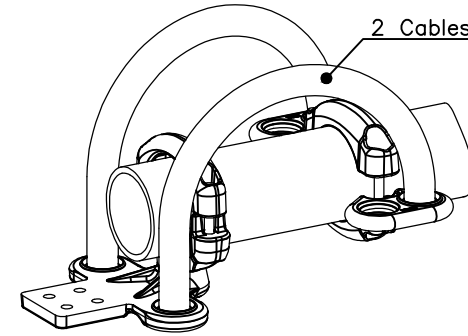
PAD 100 C290



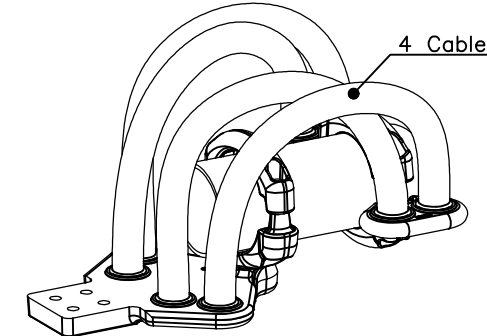
PAD 100X150 R529



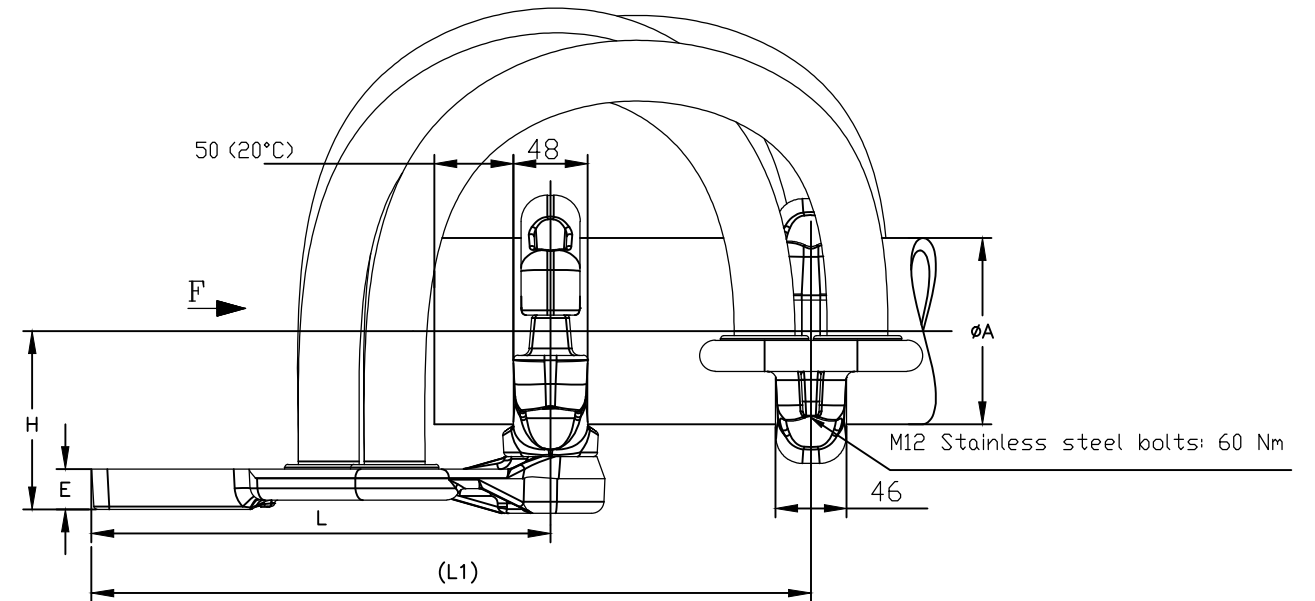
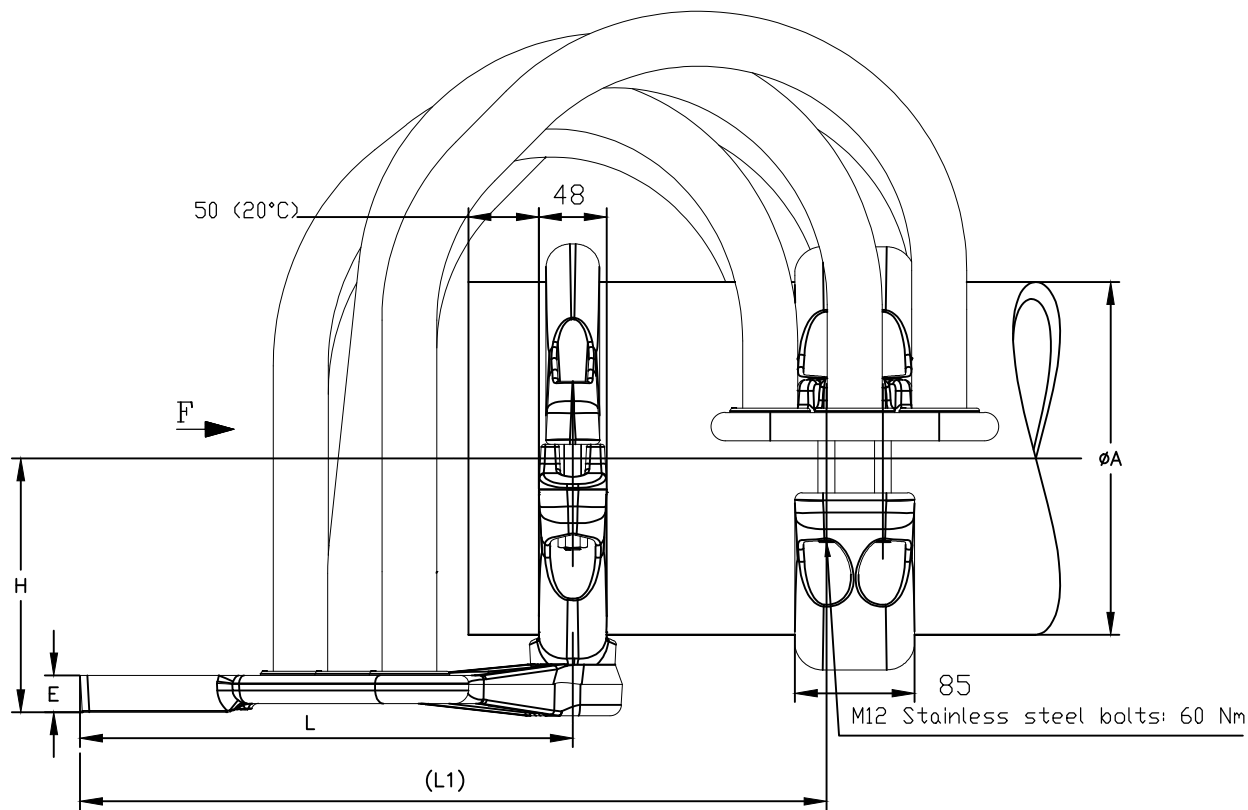
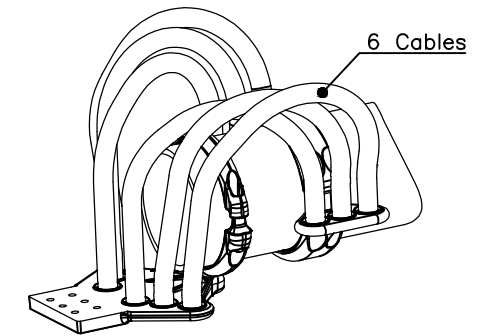
5 TTPDL ... 27 ==> 2 cables SAL 721  
 5 TTPDL ... 29 ==> 2 cables SAL 910



5 TTPDL ... 47 ==> 4 cables SAL 721  
 5 TTPDL ... 49 ==> 4 cables SAL 910

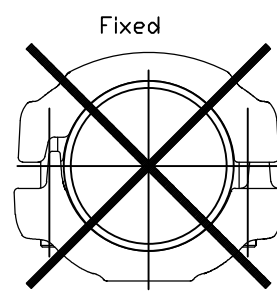
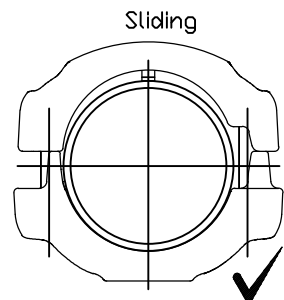


5 TTPDL ... 67 ==> 6 cables SAL 721  
 5 TTPDL ... 69 ==> 6 cables SAL 910



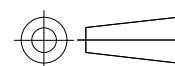
IPS	øA	PAD x E	H	L	L1	DESCRIPTION	PART NUMBER	WEIGHT (Lbs)
2-1/2	73.0	100X16	80	203	437	5 TTPDL 82 T2*1/2IPS 100 C290 27	2316426-7	13,0
3	88.9	100X16	92	203	437	5 TTPDL 82 T3*IPS 100 C290 29	2316426-8	14,2
3-1/2	101.6	100X16	102	203	437	5 TTPDL 82 T3*1/2IPS 100 C290 29	2316426-9	14.8
4	114.3	100X25	114	203	437	5 TTPDL 82 T4*IPS 100 C290 47	1-2316426-0	15.7
5	141.3	150X25	127	292	492	5 TTPDL 82 T5*IPS 100X150 R529 47	1-2316426-1	31.6
6	168.2	150X25	140	292	492	5 TTPDL 82 T6*IPS 100X150 R529 49	1-2316426-2	33.2
6 EHPS	168.2	150X25	140	348	530	5 TTPDL 82 T6*EHPS 100x150 R529 69	1-2316426-3	45.2

F  
 (No scale)  
 (Sans échelle)



THIS DRAWING IS A CONTROLLED DOCUMENT.

DIMENSIONS: mm



MATERIAL: ALUM. ALLOY

TOLERANCES UNLESS OTHERWISE SPECIFIED:

0 PLC	± -
1 PLC	± -
2 PLC	± -
3 PLC	± -
4 PLC	± -
ANGLES	± -

FINISH: -

DWN: GARNIER P 07FEB2017

CHK: A. BULZA 09JUN2020

APVD: B. JOHNSON 12JUN2020

PRODUCT SPEC

APPLICATION SPEC

WEIGHT: VOIR TABLEAU

CUSTOMER DRAWING



TE Connectivity Ltd.

NAME: STRAIGHT BOLTED EXPANSION TERMINAL BUS TO 4 HOLE PAD, 2 1/2 TO 6 INCH IPS SIMABUS

SIZE: A3 CAGE CODE: 00779 DRAWING NO: C-2316426 RESTRICTED TO: -

SCALE: NTS SHEET: 2 of 2 REV: B