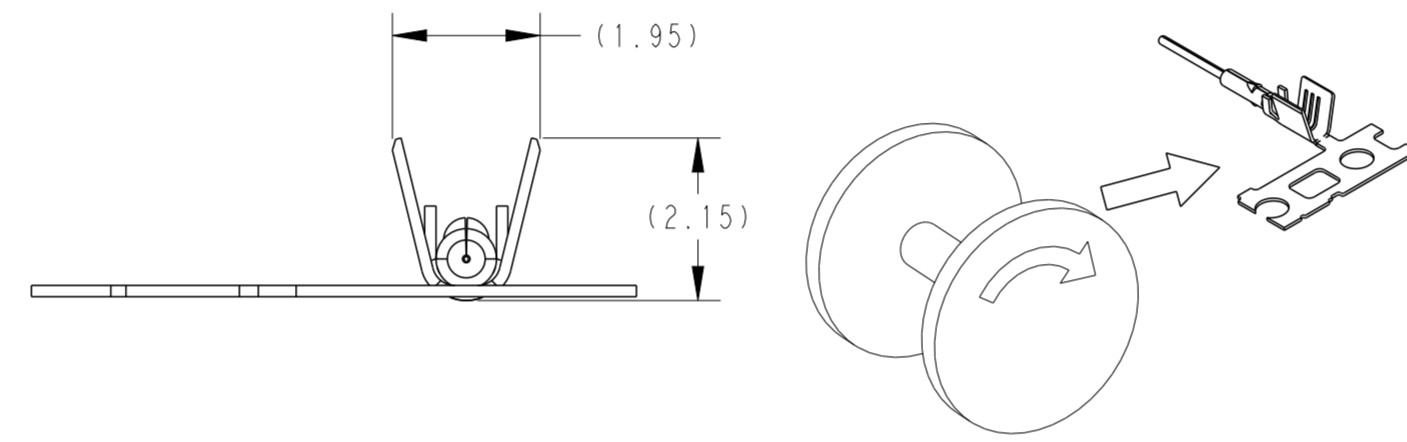
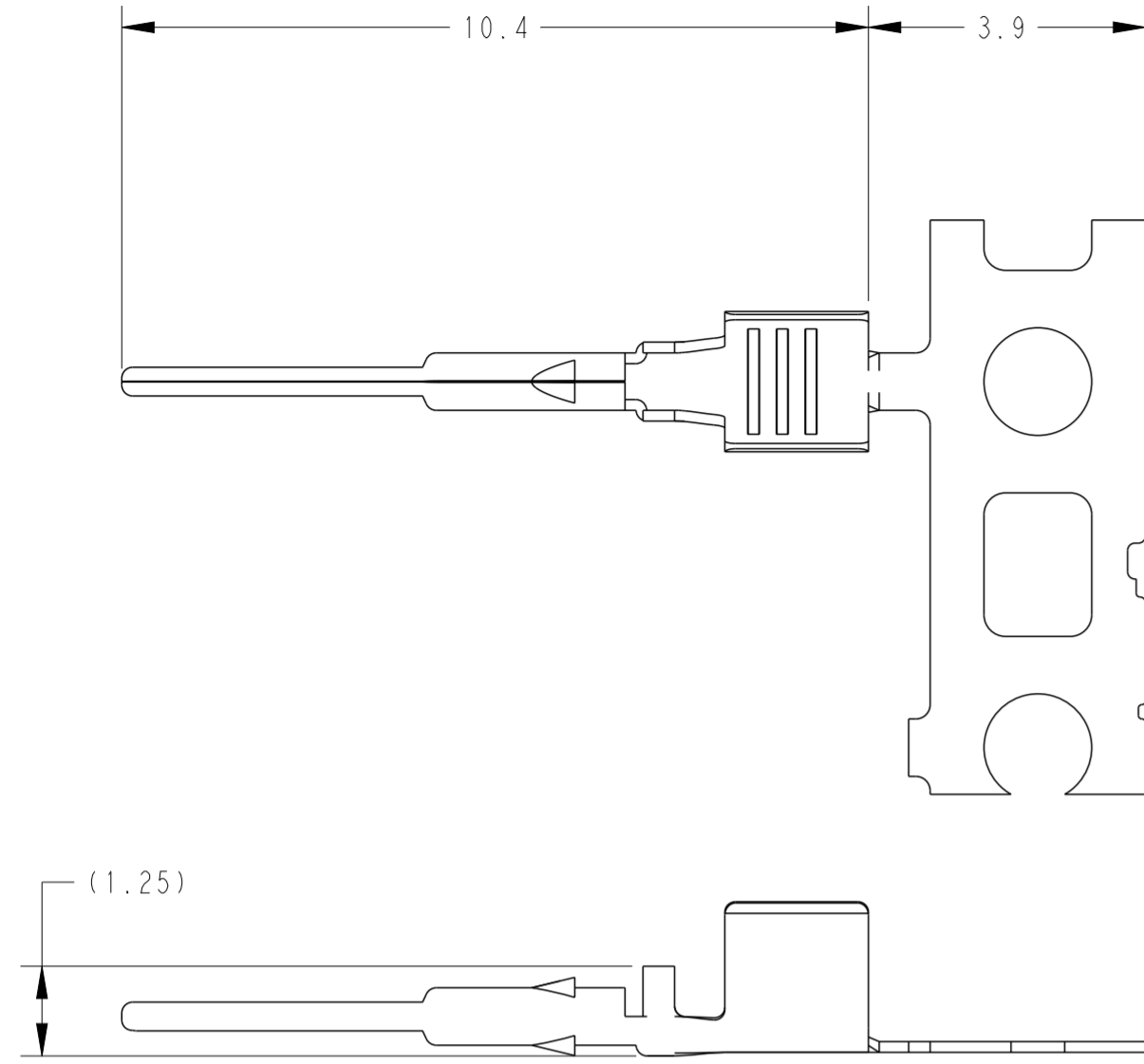
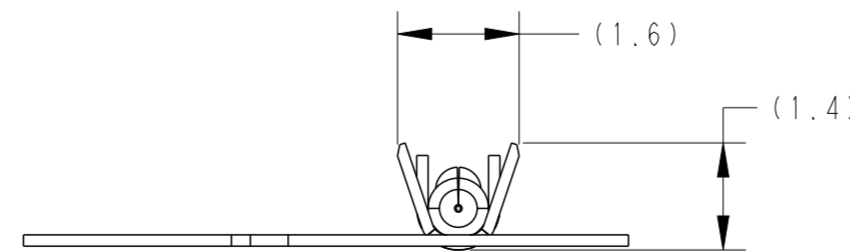
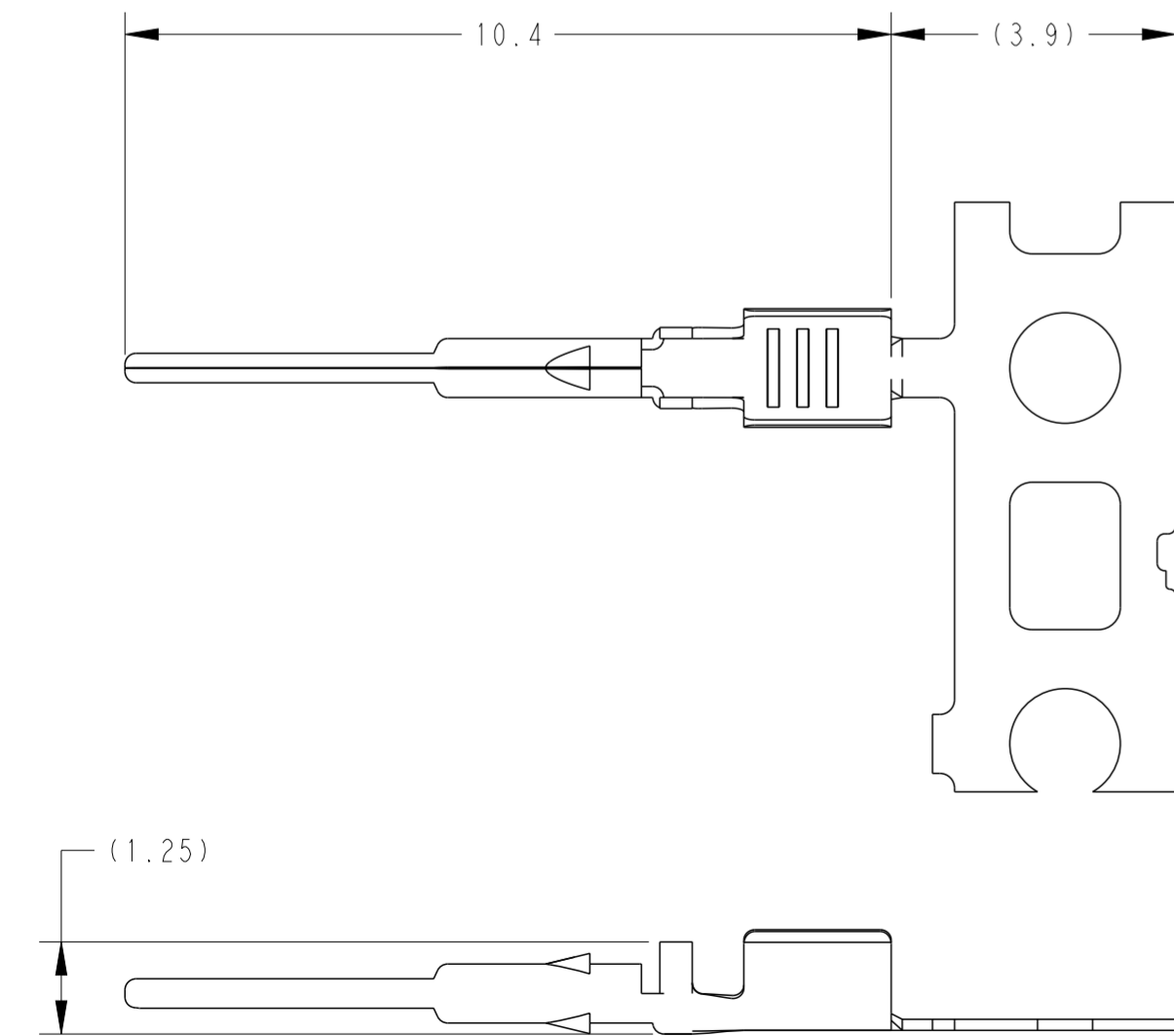


© 2021 TE Connectivity. All Rights Reserved.

- 1 : AS SHOWN



- 2 : AS SHOWN



REVISIONS				
P	LTR	DESCRIPTION	DATE	APVD
	A	RELEASED	25JUN2020	YS TK

- 1 . CRIMPING OPERATION AND APPLICATION TOOL PN
SEE SPEC. 114-78018
- 2 . WEIGHT WITHOUT CARRIER STRIP
- 3 . PLATING AS BELOW
CONTACT AREA : GOLD PLATING
BARREL AREA : TIN PLATING

1.5D	0.02	COPPER ALLOY	2315890-2
2.5D	0.03	COPPER ALLOY	2315890-1
APPLICABLE CABLE	WEIGHT g	MATERIAL	PART NO

THIS DRAWING IS A CONTROLLED DOCUMENT.

DWN Y. SATO	25JUN2020	TE Connectivity	NAME CENTER CONTACT, 180 DEGREE COAX -
CHK T. KUMAMOTO	25JUN2020		
APVD T. KIMURA	25JUN2020		
PRODUCT SPEC	108-140140		
MATERIAL	SEE TABLE	APPLICATION SPEC	114-78018
WEIGHT	SEE TABLE	SIZE	A2
		CAGE CODE	00779
		DRAWING NO	C-2315890
		RESTRICTED TO	-
		SCALE	10:1
		SHEET	1 OF 1
		REV	A