

THIS DRAWING IS UNPUBLISHED. RELEASED FOR PUBLICATION
 © COPYRIGHT - TE Connectivity Ltd. ALL RIGHTS RESERVED.

REVISIONS					
P	LTR	DESCRIPTION	DATE	DWN	APVD
A		INITIAL REL PER LC20-0008-19	31MAY2019	JG	BJ
B		LC20-0082-20 / ECO-20-013130	16SEP2020	JG	BJ

FIG. 1: PCD 7/225

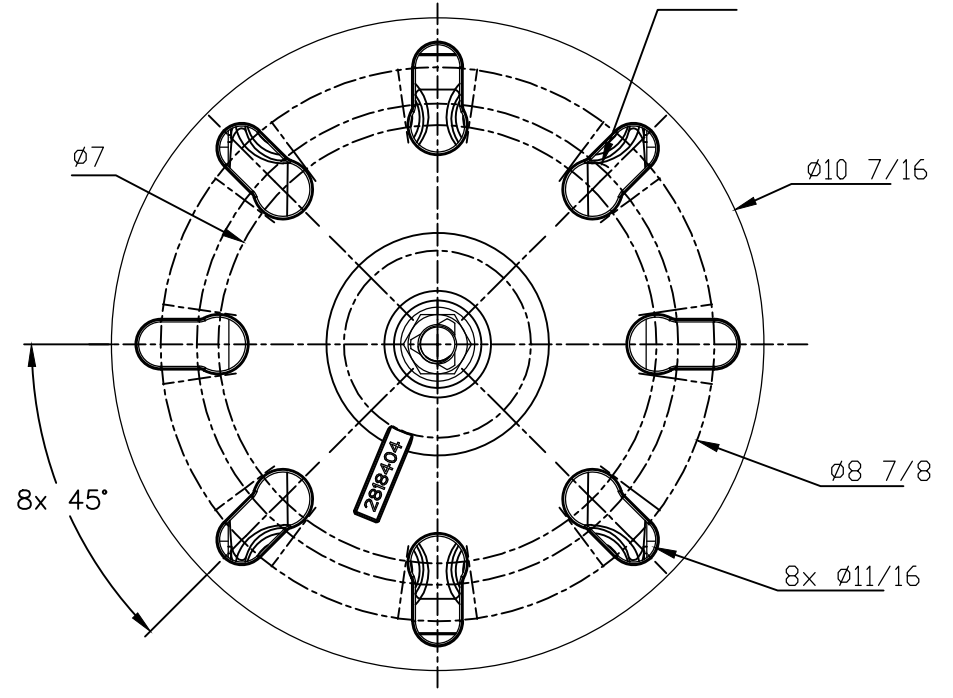


FIG. 2: PCD 5

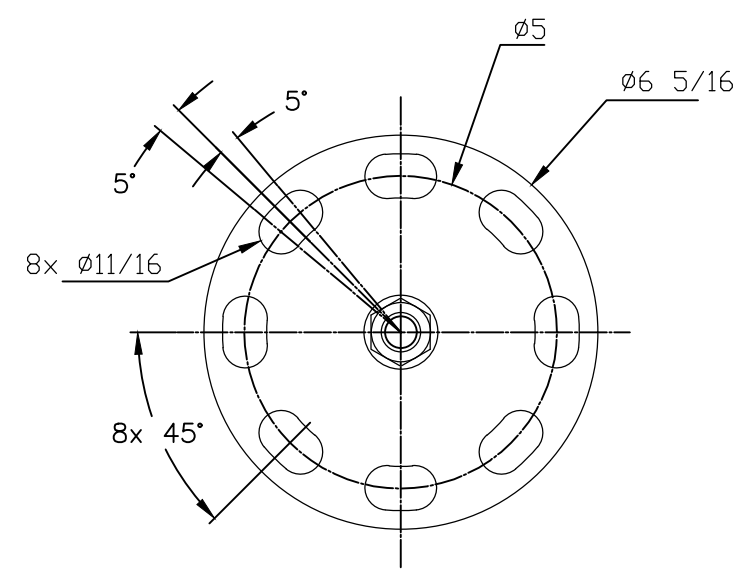
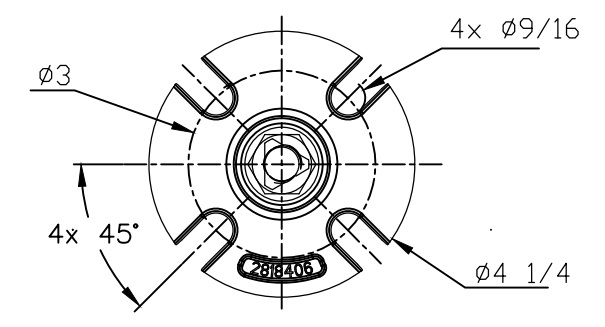
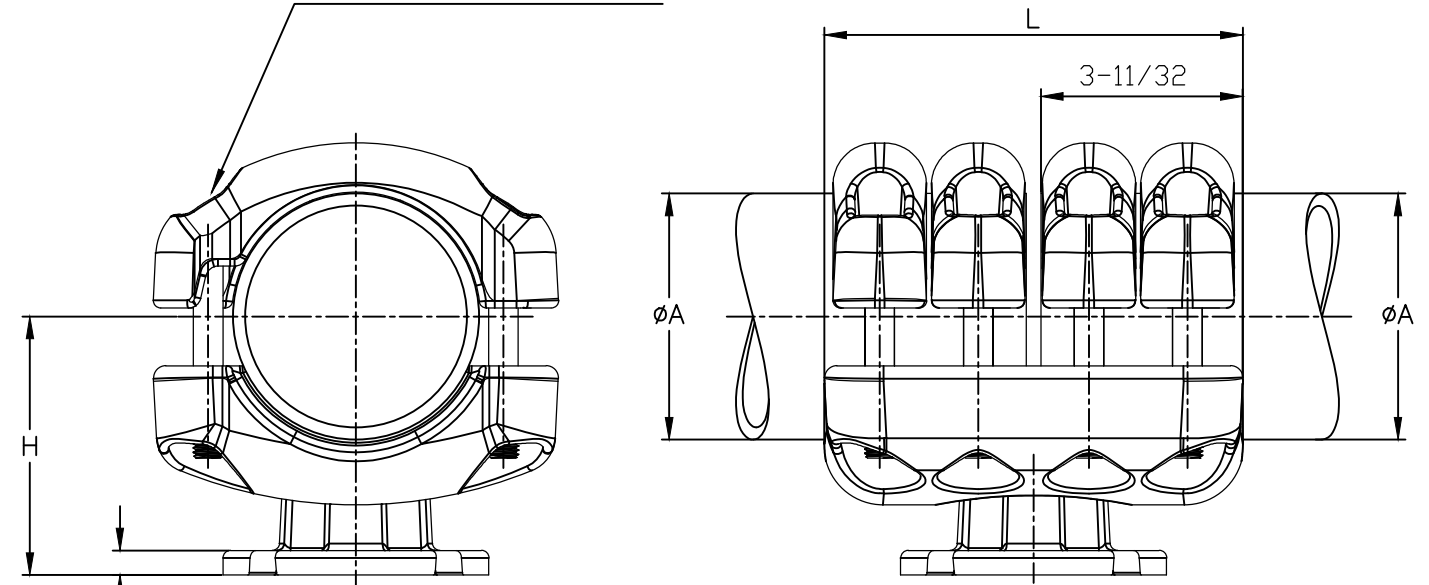


FIG. 3: PCD 3



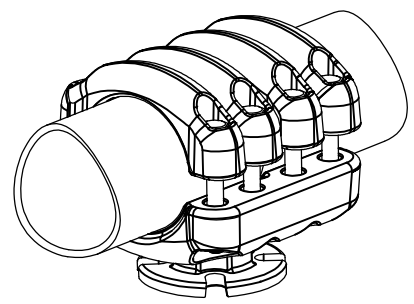
1. HOT-DIPPED GALVANIZED CAP SCREW WITH FLAT WASHER (X4) INCLUDED FOR INSULATOR MOUNTING (SEE TABLE).

M12 Stainless steel bolts: 44 lbf



MOUNTING HDW(IN)	IPS	øA	L	H	FIG.	DESCRIPTION	PART NUMBER	WEIGHT (Lbs)
1/2X1.0	2-1/2	2-7/8	6-11/16	3-1/8	3	5 TJ 82 P3 T2*1/2IPS	2315835-1	7.4
1/2X1.0	3	3-1/2	6-11/16	3-5/8	3	5 TJ 82 P3 T3*IPS	2315835-2	9.2
5/8X1.25	3	3-1/2	6-11/16	3-5/8	2	5 TJ 82 P5 T3*IPS	2315835-3	10.3
5/8X1.25	3-1/2	4	6-11/16	4	2	5 TJ 82 P5 T3*1/2IPS	2315835-4	11.4
5/8X1.25	4	4-1/2	6-11/16	4-1/2	2	5 TJ 82 P5 T4*IPS	2315835-5	11.7
5/8X1.25	5	5-9/16	7-1/16	5	2	5 TJ 82 P5 T5*IPS	2315835-6	12.3
5/8X1.25 3/4X1.5	5	5-9/16	7-1/16	5	1	5 TJ 82 P7-P225 T5*IPS	2315835-7	13.8
5/8X1.25	6	6-5/8	7-1/16	5-1/2	2	5 TJ 82 P5 T6*IPS	2315835-8	14.7
5/8X1.25 3/4X1.5	6	6-5/8	7-1/16	5-1/2	1	5 TJ 82 P7-P225 T6*IPS	2315835-9	16.1

FIG.



THIS DRAWING IS A CONTROLLED DOCUMENT.

DWN GARNIER P 23JAN2017
 CHK -



DIMENSIONS: INCHES	TOLERANCES UNLESS OTHERWISE SPECIFIED:
0 PLC	± -
1 PLC	± -
2 PLC	± -
3 PLC	± -
4 PLC	± -
ANGLES	± -
FINISH	-

APVD -
 PRODUCT SPEC -
 APPLICATION SPEC -
 WEIGHT SEE TABLE

NAME
 BOLTED BUS COUPLER ON BPI
 2 1/2 TO 6 INCH IPS
 SIMABUS

MATERIAL -	SIZE A3	CAGE CODE 00779	DRAWING NO C-2315835	RESTRICTED TO -
CUSTOMER DRAWING	SCALE NTS	SHEET 1 OF 2	REV B	

THIS DRAWING IS UNPUBLISHED.

RELEASED FOR PUBLICATION

ALL RIGHTS RESERVED.

© COPYRIGHT - TE Connectivity Ltd.

REVISIONS

P	LTR	DESCRIPTION	DATE	DWN	APVD
-	-	SEE SHEET 1	-	-	-

FIG. 1: PCD 7/225

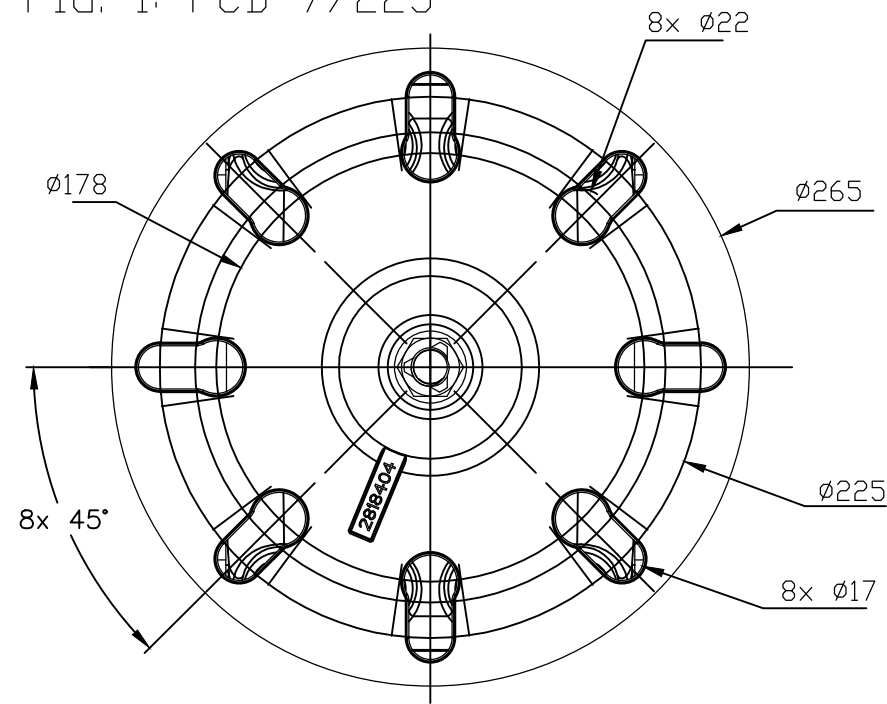


FIG. 2: PCD 5

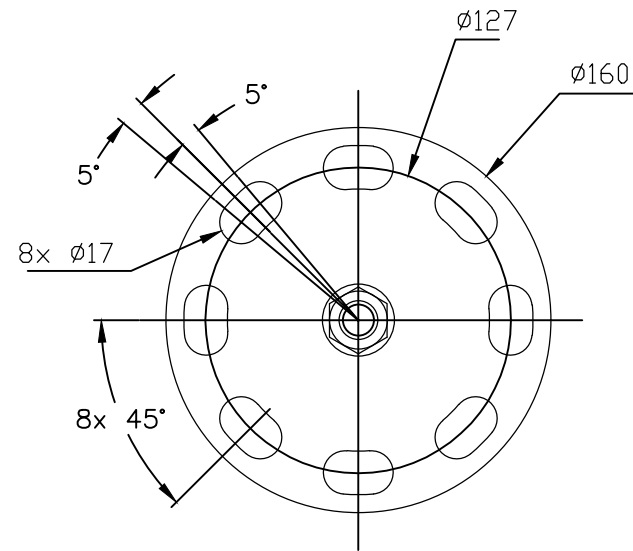
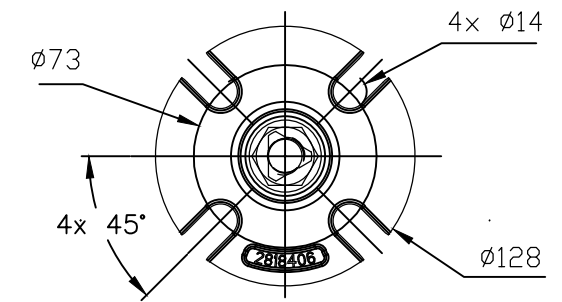


FIG. 3: PCD 3



1. HOT-DIPPED GALVANIZED CAP SCREW WITH FLAT WASHER (X4) INCLUDED FOR INSULATOR MOUNTING (SEE TABLE).

M12 Stainless steel bolts: 60 Nm

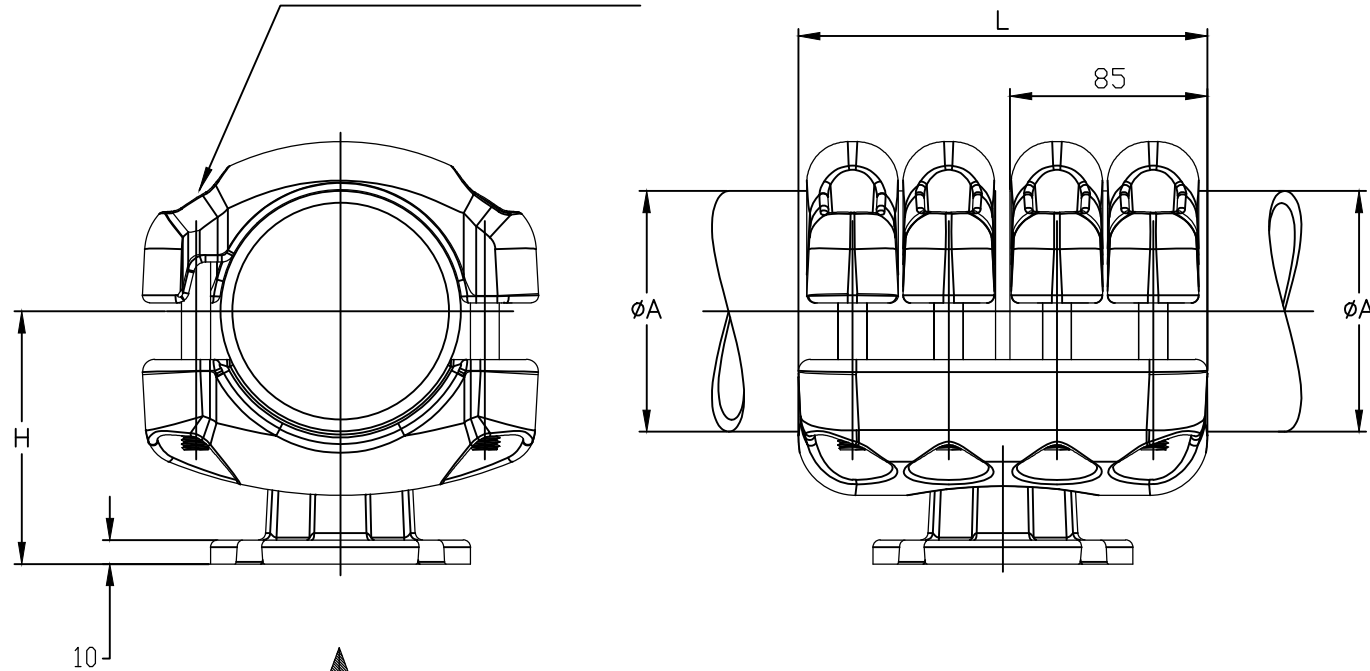
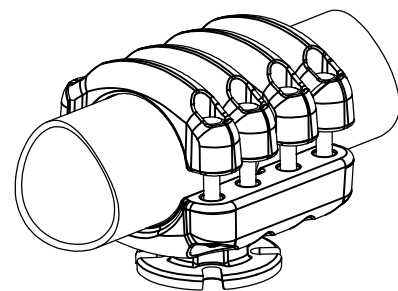


FIG.



MOUNTING HDW(IN)	IPS	øA	L	H	FIG.	DESCRIPTION	PART NUMBER	WEIGHT (Lbs)
1/2X1.0	2-1/2	73.0	170	80	3	5 TJ 82 P3 T2*1/2IPS	2315835-1	7,4
1/2X1.0	3	88.9	170	92	3	5 TJ 82 P3 T3*IPS	2315835-2	9.2
5/8X1.25	3	88.9	170	92	2	5 TJ 82 P5 T3*IPS	2315835-3	10.3
5/8X1.25	3-1/2	101.6	170	102	2	5 TJ 82 P5 T3*1/2IPS	2315835-4	11.4
5/8X1.25	4	114.3	170	114	2	5 TJ 82 P5 T4*IPS	2315835-5	11.7
5/8X1.25	5	141.3	180	127	2	5 TJ 82 P5 T5*IPS	2315835-6	12.3
5/8X1.25 3/4X1.5	5	141.3	180	127	1	5 TJ 82 P7-P225 T5*IPS	2315835-7	13.8
5/8X1.25	6	168.3	180	140	2	5 TJ 82 P5 T6*IPS	2315835-8	14.7
5/8X1.25 3/4X1.5	6	168.3	180	140	1	5 TJ 82 P7-P225 T6*IPS	2315835-9	16.1

THIS DRAWING IS A CONTROLLED DOCUMENT.

DWN GARNIER P 23JAN2017

CHK -

APVD -

PRODUCT SPEC -

APPLICATION SPEC -

WEIGHT SEE TABLE

CUSTOMER DRAWING



BOLTED BUS COUPLER ON BPI
2 1/2 TO 6 INCH IPS
SIMABUS

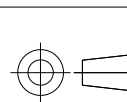
SIZE CAGE CODE DRAWING NO RESTRICTED TO

A3 00779 C-2315835 -

SCALE NTS SHEET 2 OF 2 REV B

DIMENSIONS: mm

TOLERANCES UNLESS OTHERWISE SPECIFIED:



0 PLC	± -
1 PLC	± -
2 PLC	± -
3 PLC	± -
4 PLC	± -
ANGLES	± -
FINISH	-