

THIS DRAWING IS UNPUBLISHED.

RELEASED FOR PUBLICATION

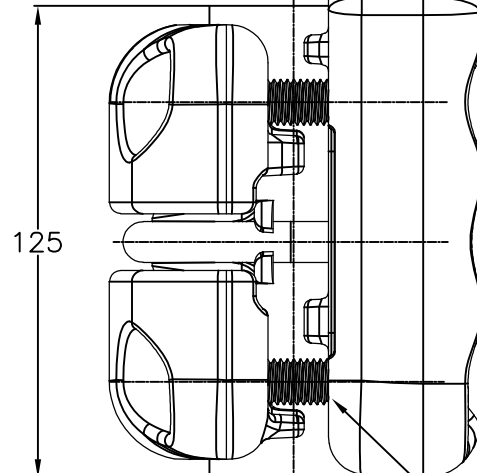
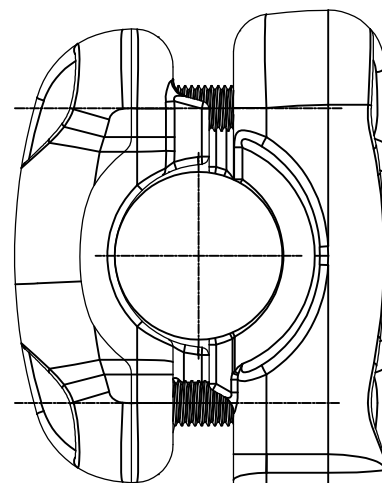
-. - .

REVISIONS

© COPYRIGHT - By -

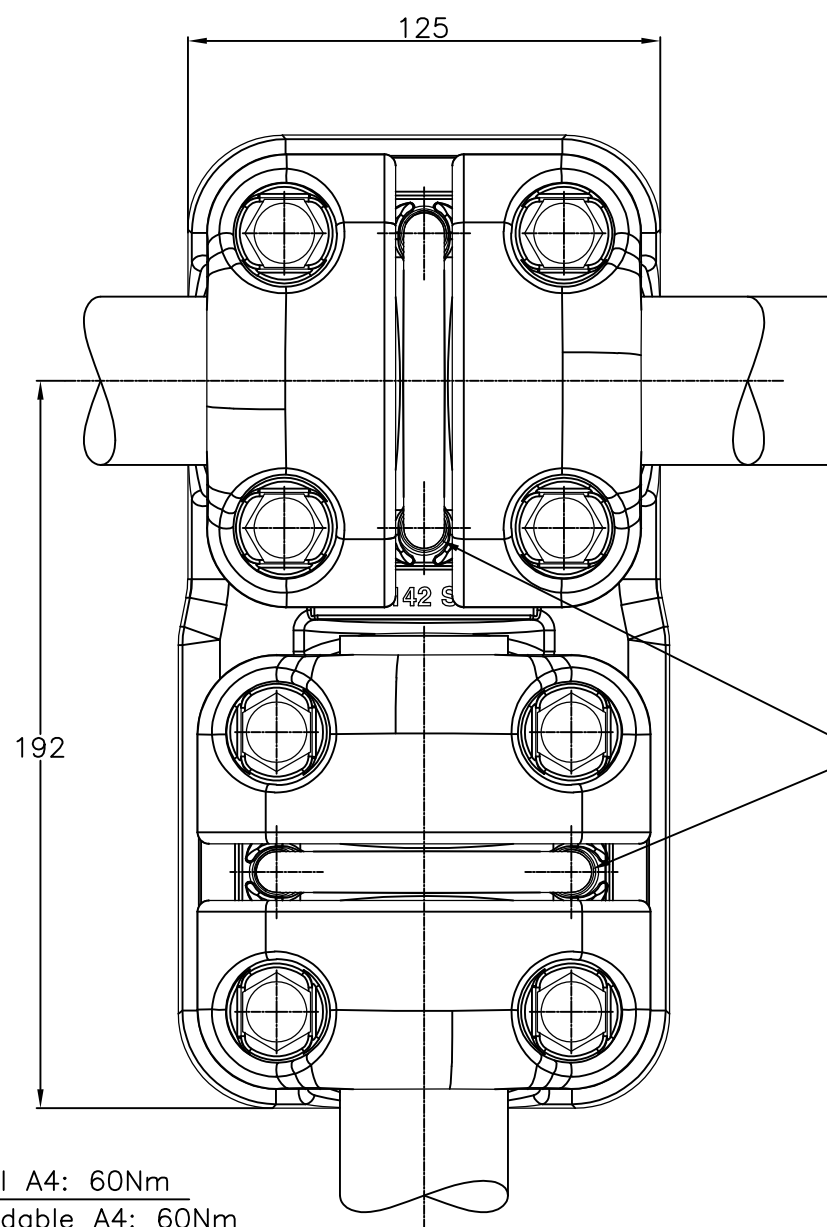
ALL RIGHTS RESERVED.

| P | LTR | DESCRIPTION | DATE      | DWN | APVD |
|---|-----|-------------|-----------|-----|------|
|   | A   | CREATION    | 21-Feb-17 | TC  | -    |



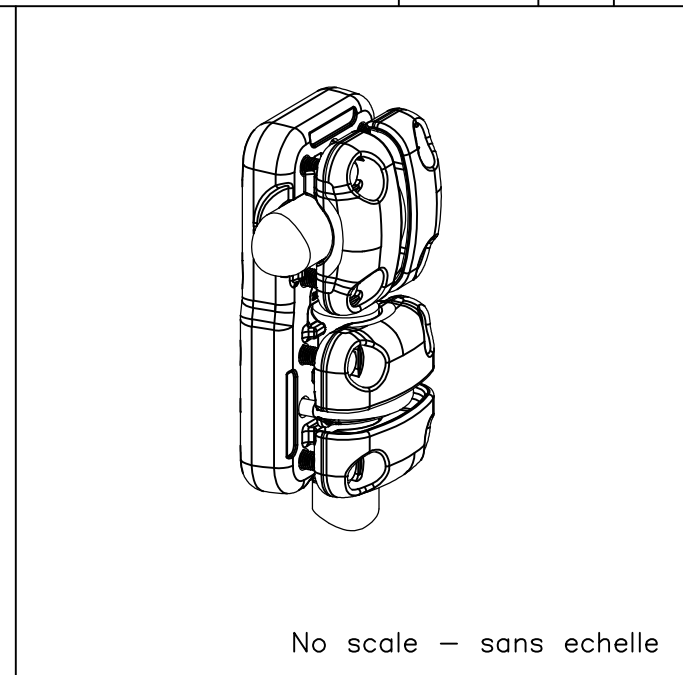
∅42.6 - 44.5

M12 Bolts stainless steel A4: 60Nm  
Boulons M12 acier inoxydable A4: 60Nm



∅42.6 - 44.5

M12 stainless steel U-Bolts A4: 60Nm  
Etriers M12 acier inoxydable A4: 60Nm



No scale - sans echelle

ITEM:.....

|  |  |  |           |                  |                                  |
|--|--|--|-----------|------------------|----------------------------------|
| THIS DRAWING IS A CONTROLLED DOCUMENT. |  | DWN                                    | 21-Feb-17 |                  | <b>STE</b> TE Connectivity       |
|  |  | CHK                                    | -         |                  |                                  |
| DIMENSIONS:<br>mm                      |  | TOLERANCES UNLESS OTHERWISE SPECIFIED: |           | APVD             | NAME                             |
|  |  | 0 PLC ± -                              |           | APVD             | Tee connector<br>Connecteur en T |
|  |  | 1 PLC ± -                              |           | PRODUCT SPEC     |                                  |
|  |  | 2 PLC ± -                              |           | APVD             | 5 CT 84 LR445                    |
|  |  | 3 PLC ± -                              |           | PRODUCT SPEC     |                                  |
|  |  | 4 PLC ± -                              |           | APVD             | RESTRICTED TO                    |
|  |  | ANGLES ± -                             |           | PRODUCT SPEC     |                                  |
| MATERIAL                               |  | FINISH                                 |           | APPROX.WEIGHT    | SIZE                             |
|  |  |  |           | 3.8 kg           | CAGE CODE                        |
|  |  |  |           | CUSTOMER DRAWING | DRAWING NO                       |
|  |  |  |           |                  | RESTRICTED TO                    |
|  |  |  |           |                  | SCALE                            |
|  |  |  |           |                  | SHEET                            |
|  |  |  |           |                  | REV                              |
|  |  |  |           |                  | A                                |