

THIS DRAWING IS UNPUBLISHED.

RELEASED FOR PUBLICATION

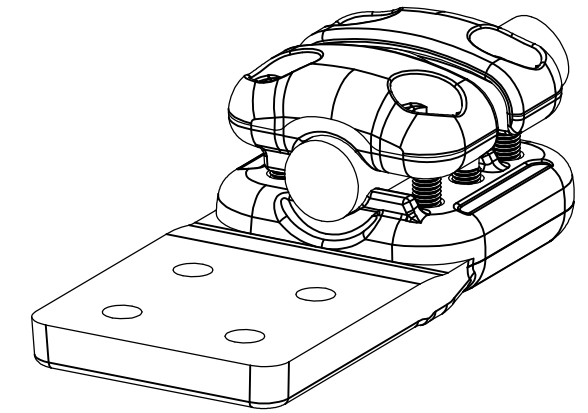
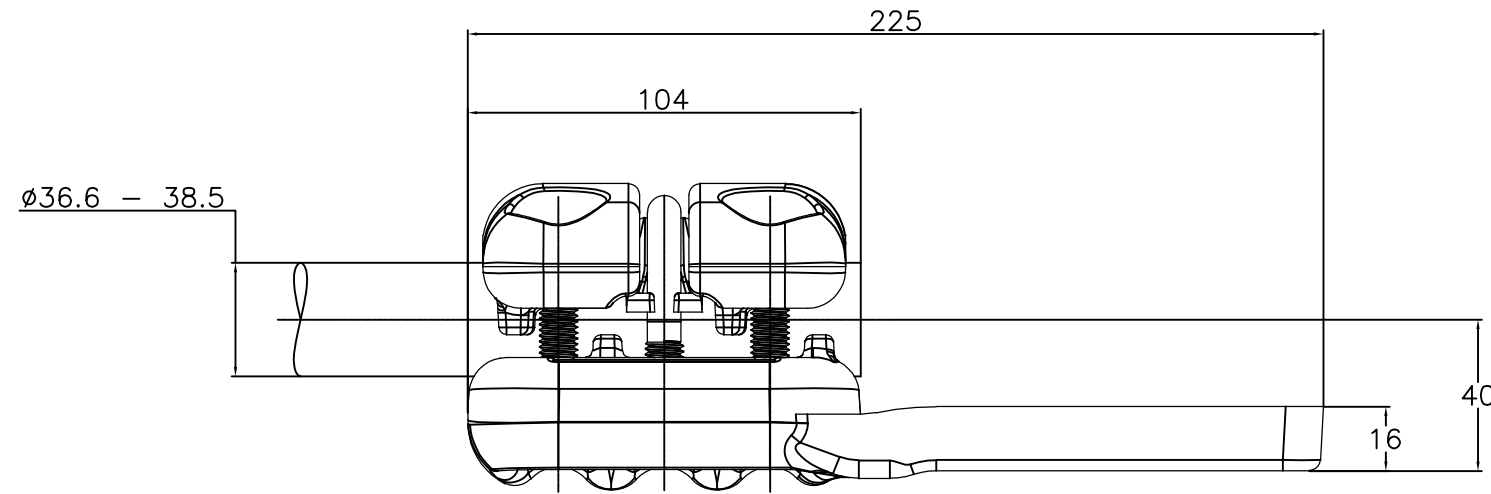
-. - .

© COPYRIGHT - By -

ALL RIGHTS RESERVED.

REVISIONS

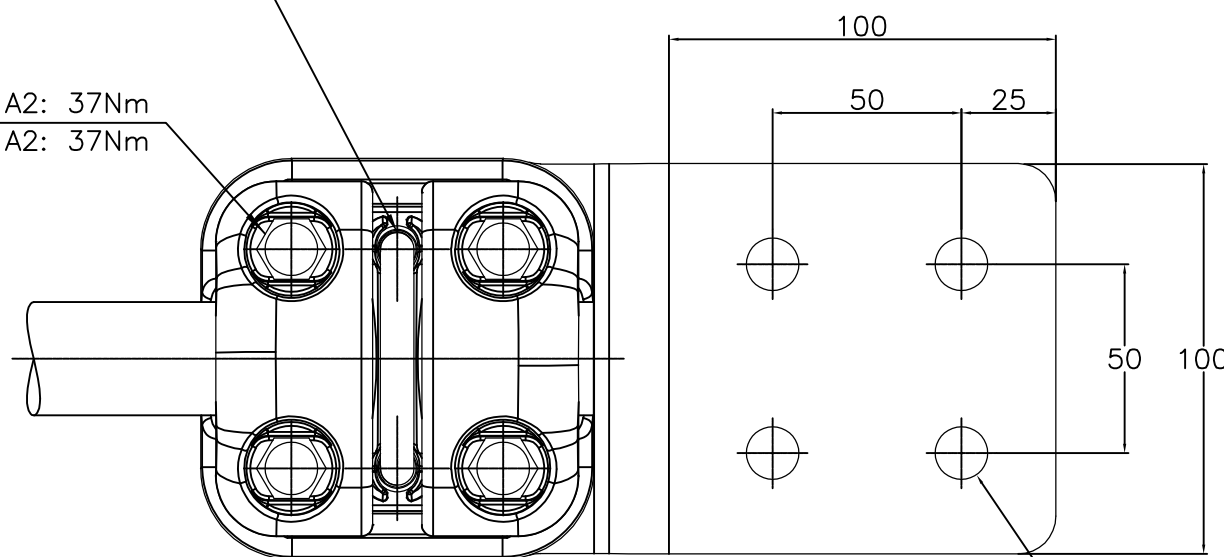
P	LTR	DESCRIPTION	DATE	DWN	APVD
	A	CREATION	21-Feb-17	TC	-



No scale - sans echelle

M10 stainless steel U-Bolt A4: 37Nm
 Etrier M10 acier inoxydable A4: 37Nm

M10 Bolts stainless steel A2: 37Nm
 Boulons M10 acier inoxydable A2: 37Nm



4 Trous ø14

ITEM:.....

THIS DRAWING IS A CONTROLLED DOCUMENT.

DWN CHARTON 21-Feb-17

CHK -

APVD -

PRODUCT SPEC

108-69096-001

APPLICATION SPEC

-

APPROX.WEIGHT 1.5 kg

CUSTOMER DRAWING

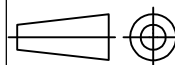


NAME Pad connector for single conductor
 Connecteur à plage pour faisceau simple
 5 PD 82 MR385 100 C34

SIZE A3 CAGE CODE - DRAWING NO C-2315749 RESTRICTED TO -

SCALE 1/2 SHEET 1 OF 1 REV A

DIMENSIONS: mm



TOLERANCES UNLESS OTHERWISE SPECIFIED:

0 PLC	± -
1 PLC	± -
2 PLC	± -
3 PLC	± -
4 PLC	± -
ANGLES	± -
FINISH	-