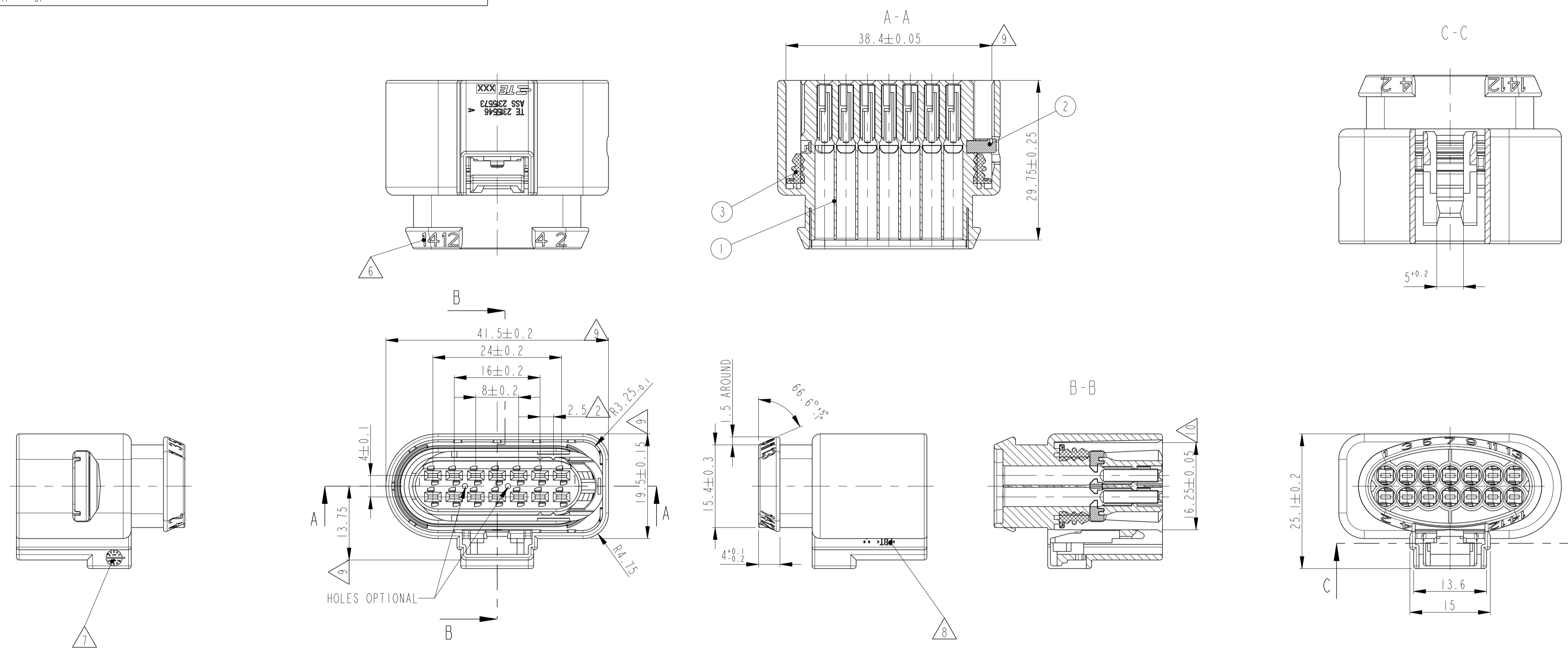
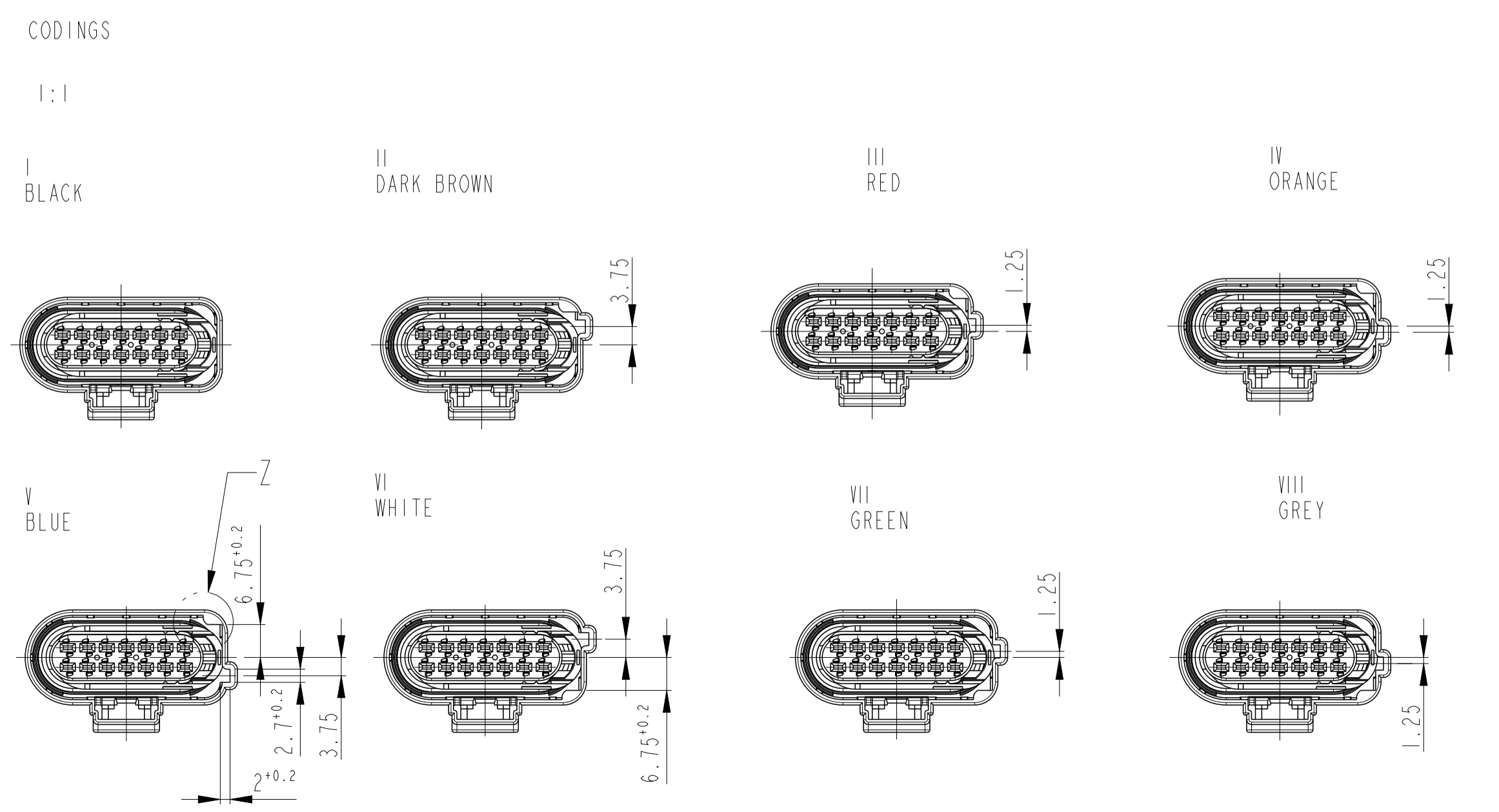
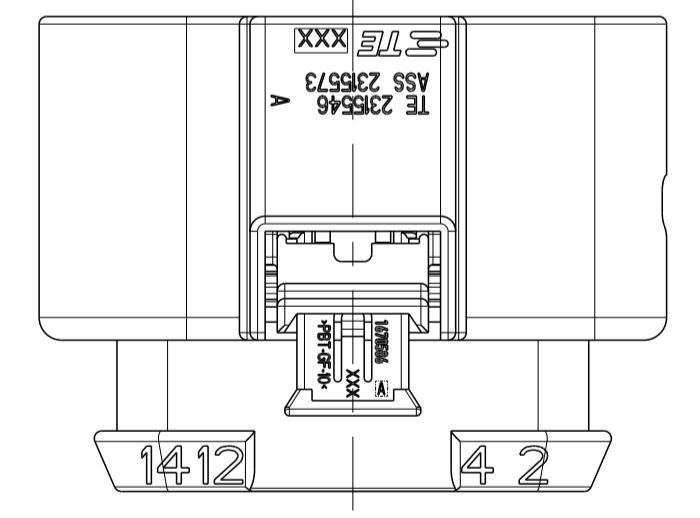
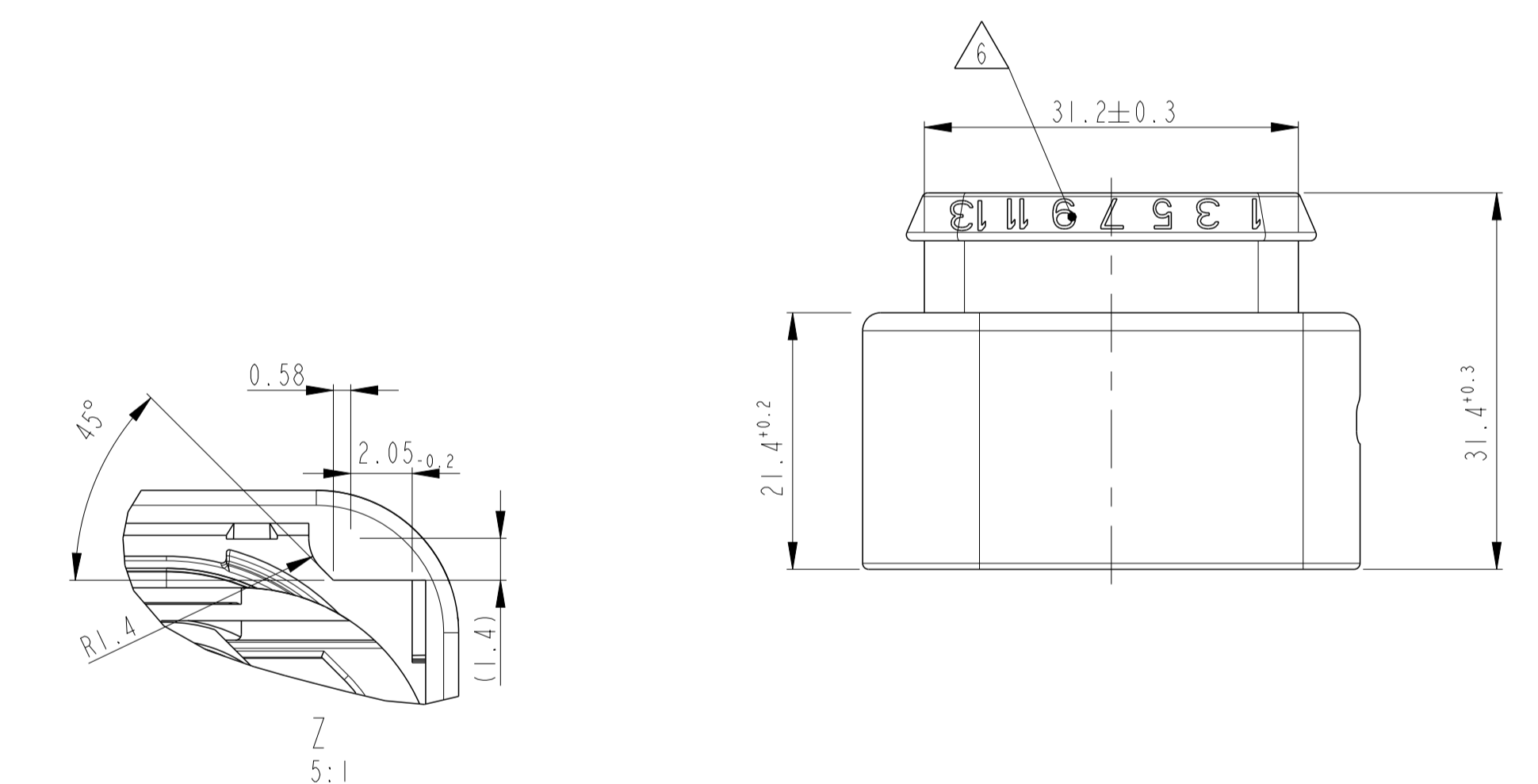


REVISIONS					
P	LTN	DESCRIPTION	DATE	DMN	APVD
A		Initial Release	13OCT2017	V.G	I.Y
A1		ECR-22-160018	01DEC 22	S.X	J.Z
A2		ECR-22-161786	20DEC 22	S.X	J.Z
A3		ECR-23-172018	13APR 23	S.X	J.Z



- NOTES
- THE PART 2315573-1 ASSEMBLED F.E. WITH CONTACT 1241380-1, AND WIRE SEALING 964972-1 WILL HAVE THE SUITABLE MATING PART 1-966846-1
  - CONDITION AS SUPPLIED: RETAINER IN PRE-LOCKED POSITION, AFTER CONTACT LOADING TO DRIFT IN THIS DIRECTION (2.5mm)
  - BULK PACKAGED
  - WITHOUT CPA (CONNECTOR POSITION ASSURANCE)
  - WITH CPA
  - CONTACT CAVITY NUMBER
  - PRODUCTION-DATE
  - MATERIAL MARKING ACC. TO VDA 260
  - ALLOWED WARPAGE ±0.5
  - \*-2315573-\* IS SUZHOU VERSION PN THAT IS THE SIMILAR PERFORMANCE OF \*-1563502-\*



COD	TE-NO	REV	MATERIAL	COLOR	RAL-NO	DESCRIPTION	ITEM NO
VIII	6-2315573-8	A	PBT-GF10	RED	3003	CPA, ...	4
			MVO	NATURAL	-	RADIAL SEAL ...	3
			PBT-GF10	VIOLET	4006	RETAINER, ...	2
VII	6-2315573-7	A	PBT	GREY	7036	14POSITION, AMP MCP1.5K, ...	1
			PBT-GF10	RED	3003	CPA, ...	4
			MVO	NATURAL	-	RADIAL SEAL ...	3
VI	6-2315573-6	A	PBT-GF10	VIOLET	4006	RETAINER, ...	2
			PBT	WHITE	9010	14POSITION, AMP MCP1.5K, ...	1
			PBT-GF10	RED	3003	CPA, ...	4
V	6-2315573-5	A	MVO	NATURAL	-	RADIAL SEAL ...	3
			PBT-GF10	VIOLET	4006	RETAINER, ...	2
			PBT	BLUE	5012	14POSITION, AMP MCP1.5K, ...	1
IV	6-2315573-4	A	PBT-GF10	RED	3003	CPA, ...	4
			MVO	NATURAL	-	RADIAL SEAL ...	3
			PBT-GF10	VIOLET	4006	RETAINER, ...	2
III	6-2315573-3	A	PBT-GF10	ORANGE	2003	14POSITION, AMP MCP1.5K, ...	1
			PBT-GF10	RED	3003	CPA, ...	4
			MVO	NATURAL	-	RADIAL SEAL ...	3
II	6-2315573-2	A	PBT	RED	3003	14POSITION, AMP MCP1.5K, ...	1
			PBT-GF10	RED	3003	CPA, ...	4
			MVO	NATURAL	-	RADIAL SEAL ...	3
I	6-2315573-1	A	PBT-GF10	VIOLET	4006	RETAINER, ...	2
			PBT	BLACK	9011	14POSITION, AMP MCP1.5K, ...	1
			MVO	NATURAL	-	RADIAL SEAL ...	3
VIII	2315573-8	A	PBT-GF10	VIOLET	4006	RETAINER, ...	2
			PBT	GREY	7036	14POSITION, AMP MCP1.5K, ...	1
			MVO	NATURAL	-	RADIAL SEAL ...	3
VII	2315573-7	A	PBT-GF10	VIOLET	4006	RETAINER, ...	2
			PBT	GREEN	6018	14POSITION, AMP MCP1.5K, ...	1
			MVO	NATURAL	-	RADIAL SEAL ...	3
VI	2315573-6	A	PBT-GF10	VIOLET	4006	RETAINER, ...	2
			PBT	WHITE	9010	14POSITION, AMP MCP1.5K, ...	1
			MVO	NATURAL	-	RADIAL SEAL ...	3
V	2315573-5	A	PBT-GF10	VIOLET	4006	RETAINER, ...	2
			PBT	BLUE	5012	14POSITION, AMP MCP1.5K, ...	1
			MVO	NATURAL	-	RADIAL SEAL ...	3
IV	2315573-4	A	PBT-GF10	VIOLET	4006	RETAINER, ...	2
			PBT	ORANGE	2003	14POSITION, AMP MCP1.5K, ...	1
			MVO	NATURAL	-	RADIAL SEAL ...	3
III	2315573-3	A	PBT-GF10	VIOLET	4006	RETAINER, ...	2
			PBT	RED	3003	14POSITION, AMP MCP1.5K, ...	1
			MVO	NATURAL	-	RADIAL SEAL ...	3
II	2315573-2	A	PBT-GF10	VIOLET	4006	RETAINER, ...	2
			PBT	DARK BROWN	8012	14POSITION, AMP MCP1.5K, ...	1
			MVO	NATURAL	-	RADIAL SEAL ...	3
I	2315573-1	A	PBT-GF10	VIOLET	4006	RETAINER, ...	2
			PBT	BLACK	9011	14POSITION, AMP MCP1.5K, ...	1
			MVO	NATURAL	-	RADIAL SEAL ...	3

THIS DRAWING IS A CONTROLLED DOCUMENT. DMN: V.G. 10OCT2017  
 CHK: S.Y.W. 10OCT2017  
 APVD: J.Y.H. 13OCT2017

DIMENSIONS: mm  
 TOLERANCES UNLESS OTHERWISE SPECIFIED:  
 1-PLC ±0.1  
 2-PLC ±0.15  
 3-PLC ±0.2  
 4-PLC ±0.25  
 ANGLES ±0.5°  
 FINISH ±0.1

MATERIAL: S.TAB.  
 FINISH: S.TAB.

WEIGHT: -  
 CUSTOMER DRAWING

NAME: 4POSITION, AMP MCP1.5K, RECEPTACLE HOUSING, ASSEMBLY  
 PRODUCT SPEC: -  
 APPLICATION SPEC: -

SIZE: A1  
 CAGE CODE: 00779  
 DRAWING NO: 2315573

RESTRICTED TO: -  
 SCALE: 2:1  
 SHEET: 1 OF 1  
 REV: A3