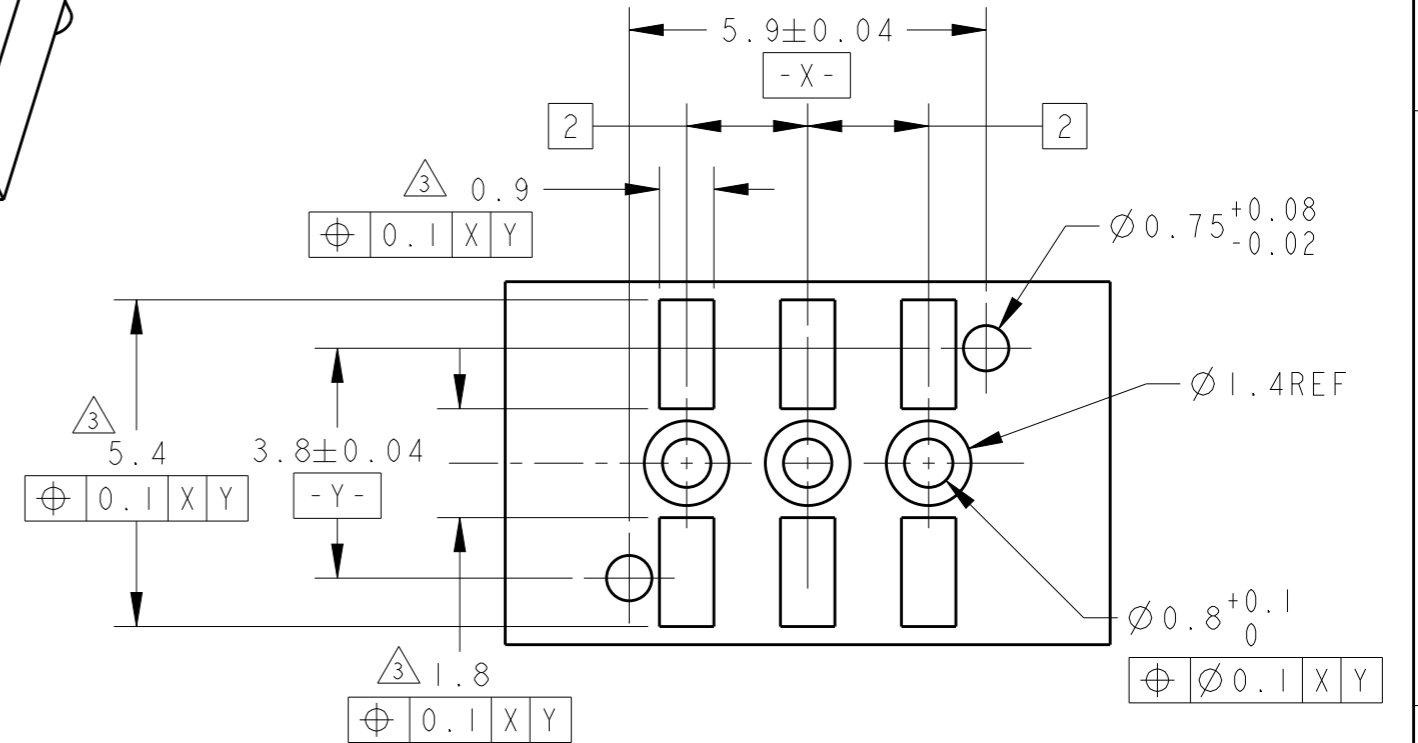
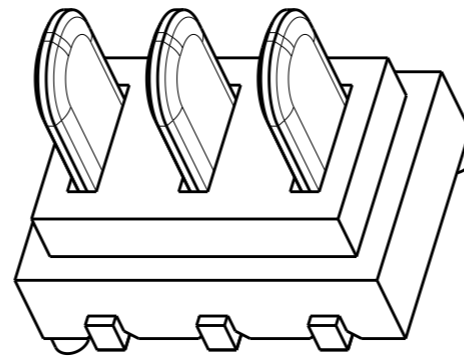
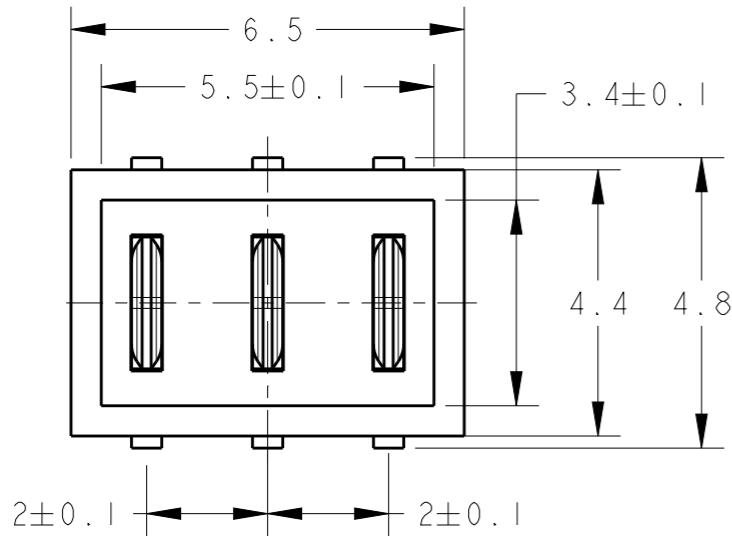


LOC	DIST	REVISIONS			
P	LTR	DESCRIPTION	DATE	DWN	APVD
-	-	B	CHANGE CAP LENGTH	15JUN2017	IT WH
		C	PER ECR-17-014379	28SEP2017	A.Z H.L
		CI	REVISE PLATING DESCRIPTION	30OCT2017	A.Z W.H

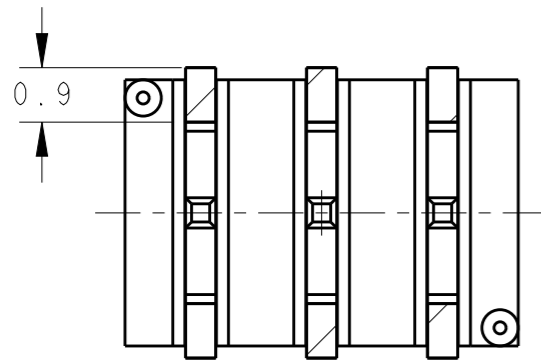
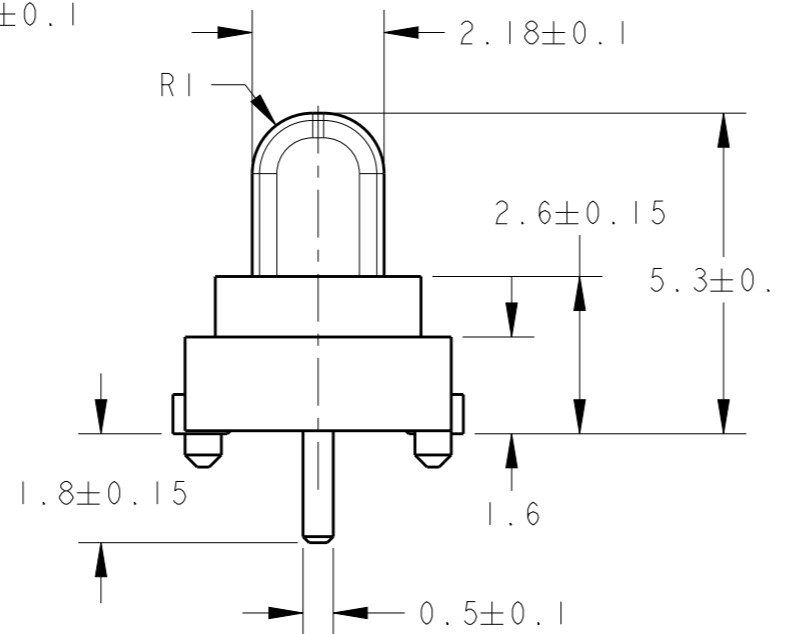
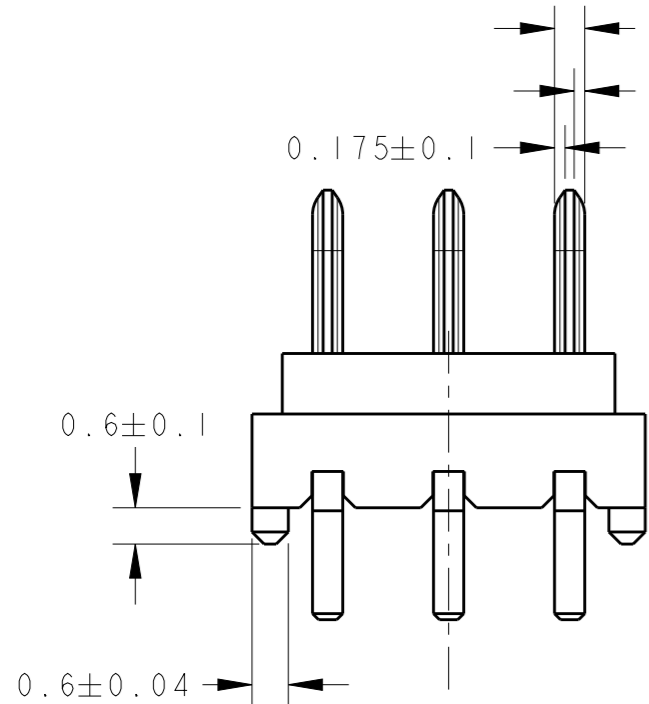


RECOMMENDED PCB  
GENERAL TOLERANCE: ±0.05

NOTES:

- ① MATERIAL  
HOUSING; THERMOPLASTIC RESIN, UL94V-0, BLACK  
CONTACT; COPPER ALLOY
- ② FINISH  
CONTACT; ALL OVER Ni UNDER PLATING.  
CONTACT AREA: GOLD PLATING  
SOLDERING AREA: GOLD FLASH
- ③ NECESSARY ONLY IN SURFACE MOUNTING BY REFLOW.
- ④ CAP MARKING LOCATION RANDOMLY IN EMBOSS  
AFTER PACKAGING

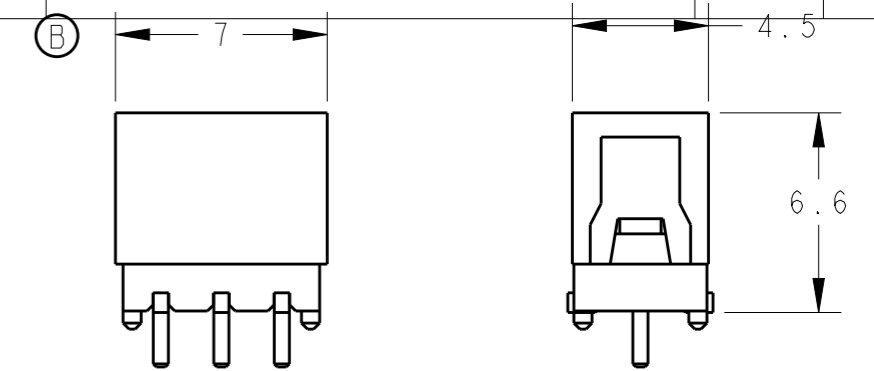
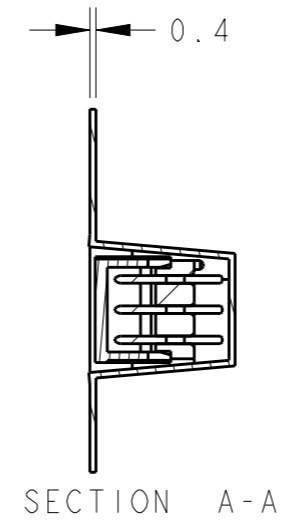
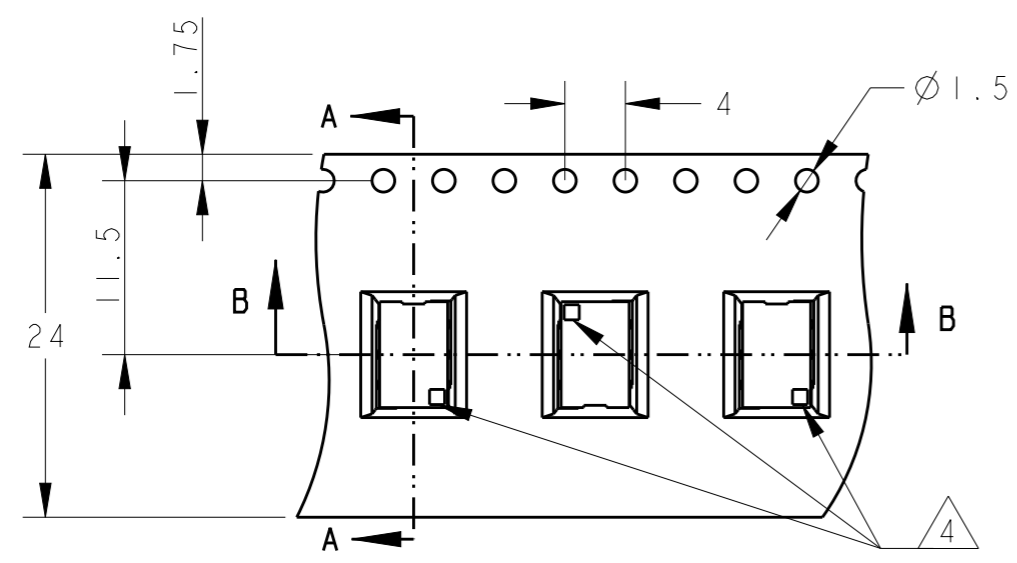
- 1: AS SHOWN WITHOUT CAP



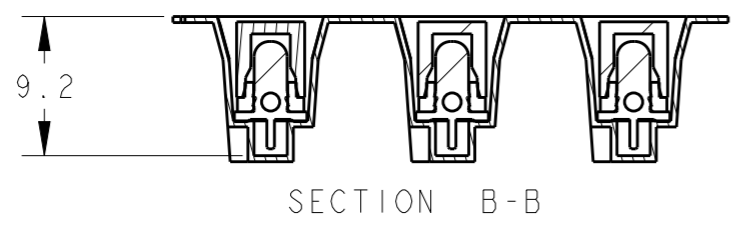
THIS DRAWING IS A CONTROLLED DOCUMENT.		DWN ANDY ZHAO 20SEP2016	TE Connectivity		
DIMENSIONS: mm		CHK HOPE LU 12JAN2017			
TOLERANCES UNLESS OTHERWISE SPECIFIED:		APVD HOPE LU 12JAN2017	NAME BATTERY BLOCK CONNECTOR PLUG ASSY 3POS, WITH CAP 2MM PITCH		
0 PLC ±0.2		PRODUCT SPEC 108-5846	SIZE A3	CAGE CODE 00779	DRAWING NO C-2315312
1 PLC ±0.2		APPLICATION SPEC	RESTRICTED TO		
2 PLC ±0.2		WEIGHT 0.24g	-		
3 PLC ±		CUSTOMER DRAWING	SCALE 8:1	SHEET 1	OF 2
4 PLC ±			REV CI		
ANGLES ±2					
FINISH					

THIS DRAWING IS UNPUBLISHED. RELEASED FOR PUBLICATION 20  
 © COPYRIGHT 20 BY Tyco Electronics Japan G.K. ALL RIGHTS RESERVED.

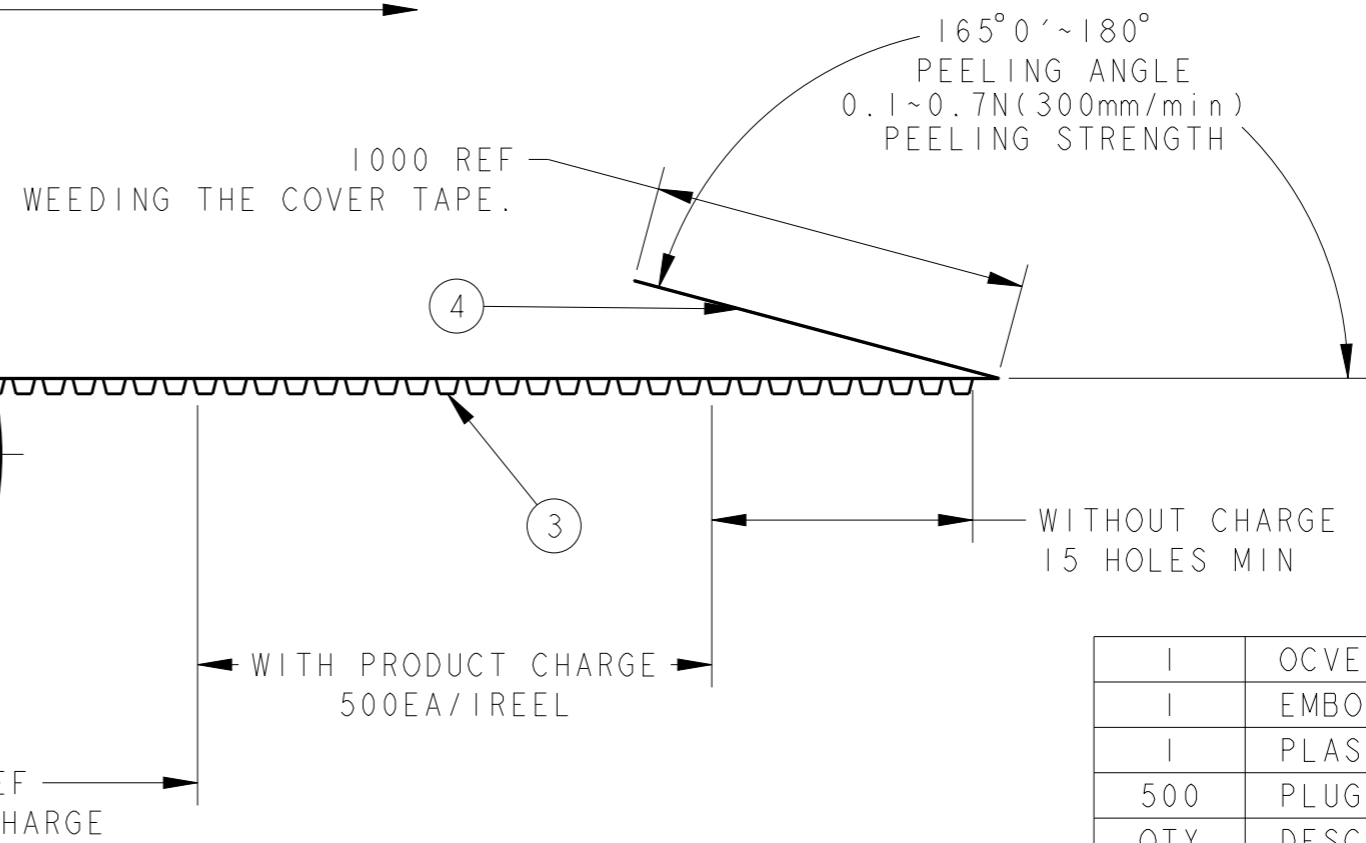
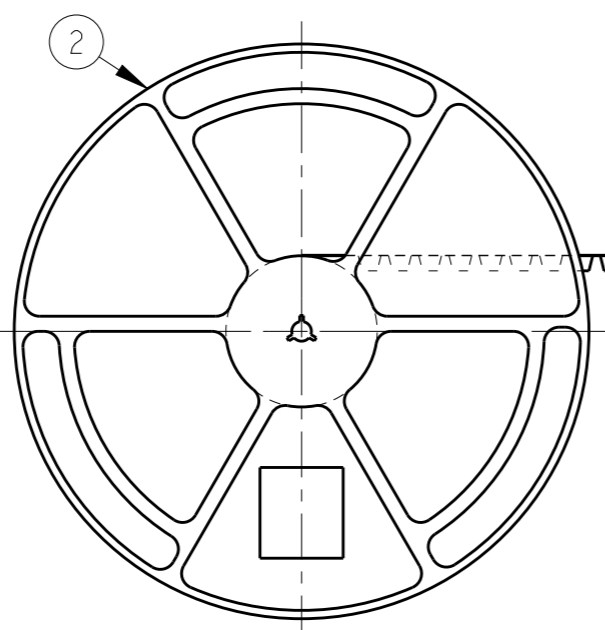
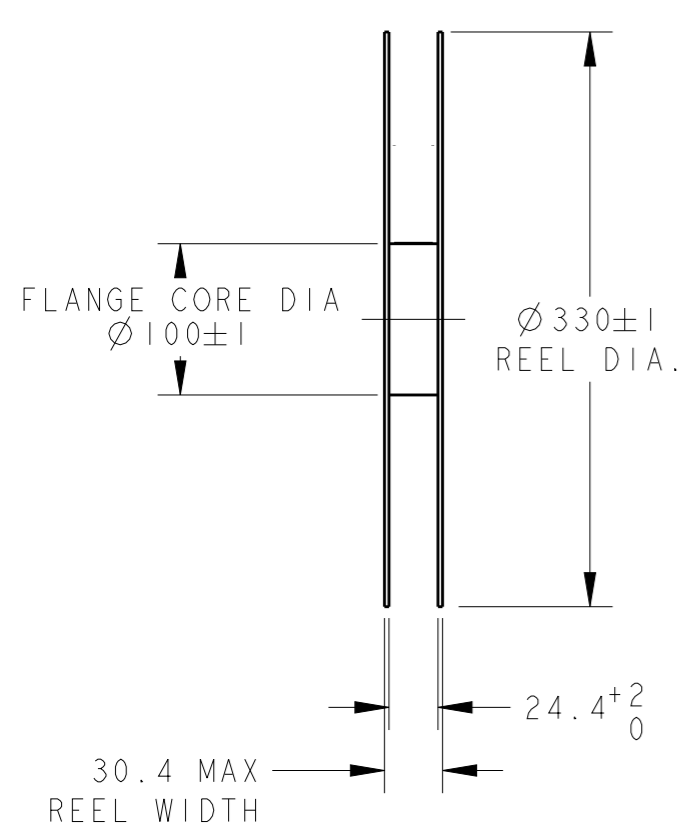
LOC	DIST	REVISIONS			DATE	DWN	APVD
P	LTR	DESCRIPTION					
-	-	SEE SHEET 1/2					



-1 AS SHOWN (WITH CAP)  
SCALE 4:1



UNREELING DIRECTION →



WITH PRODUCT CHARGE  
500EA/IREEL

1	OCVER TAPE	4
1	EMBOSS	3
1	PLASTIC REEL	2
500	PLUG ASSY	1
QTY	DESCRTION	ITEM

THIS DRAWING IS A CONTROLLED DOCUMENT.		DWN 20SEP2002 ANDY ZHAO	TE Connectivity	
DIMENSIONS: mm		CHK 12JAN2017 HOPE LU		
TOLERANCES UNLESS OTHERWISE SPECIFIED:		APVD 12JAN2017 HOPE LU	NAME BATTERY BLOCK CONNECTOR PLUG ASSY 3POS, WITH CAP 2MM PITCH	
0 PLC ±0.3		PRODUCT SPEC 108-5846	SIZE A3	CAGE CODE 00779
1 PLC ±0.2		APPLICATION SPEC	DRAWING NO C-2315312	RESTRICTED TO -
2 PLC ±0.2		WEIGHT 0.24g	SCALE 8:1	
3 PLC ±		CUSTOMER DRAWING	SHEET 2 OF 2	REV C1
4 PLC ±				
ANGLES ±2				
MATERIAL -				
FINISH -				