

4

3

2

1

THIS DRAWING IS UNPUBLISHED.

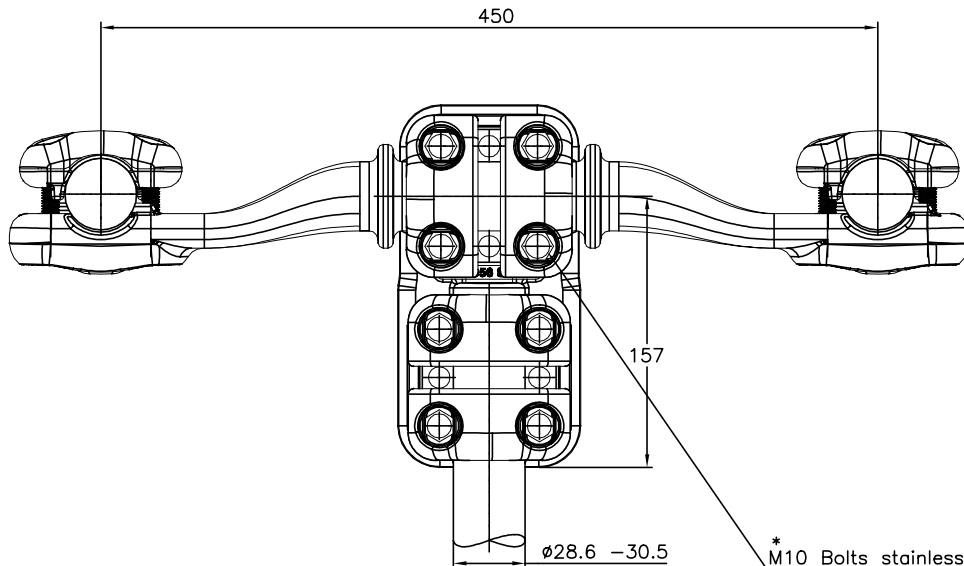
RELEASED FOR PUBLICATION

ALL RIGHTS RESERVED.

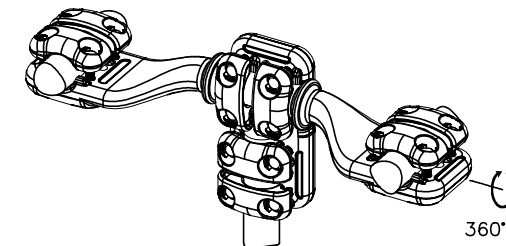
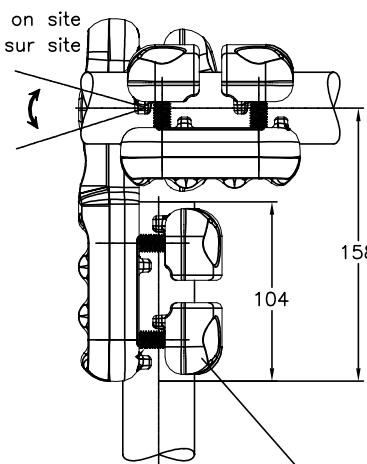
© COPYRIGHT - By -

REVISIONS

P	LTR	DESCRIPTION	DATE	DWN	APVD
B		UPDATED DRAWING	30-NOV-20	BH	-



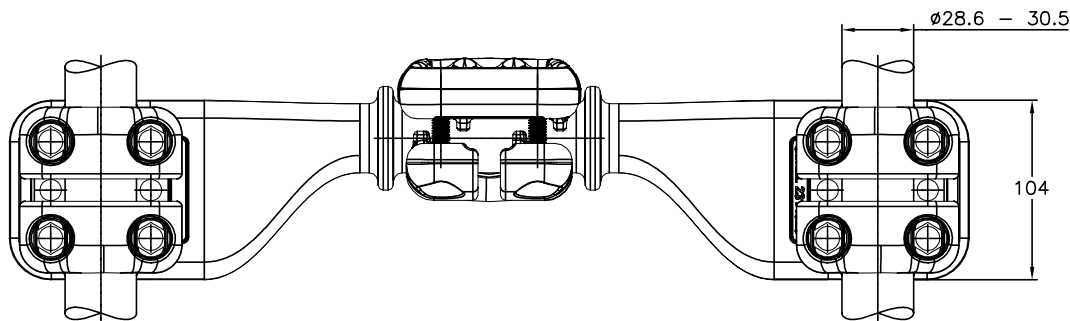
Adjustable on site  
Ajustable sur site



No scale  
Sans échelle

\* M10 Bolts stainless steel A2: 37Nm  
Boulons M10 acier inoxydable A2: 37Nm

M10 Bolts stainless steel A2: 37Nm  
Boulons M10 acier inoxydable A2: 37Nm



\*  
In case of loosening, contact surfaces must be cleaned and greased  
Refer to installation instruction

En cas de desserrage, les surfaces de contact doivent être nettoyées et graissées  
Se référer à la notice d'installation

THIS DRAWING IS A CONTROLLED DOCUMENT.		DWN TALPIN 09-MAY-18		
		CHK		
DIMENSIONS: mm	TOLERANCES UNLESS OTHERWISE SPECIFIED:	APVD	NAME ADJUSTABLE CONNECTOR RACCORD AJUSTABLE	
	0 PLC ± -	PRODUCT SPEC	5 CTA 82 F M305 E450 M405	
	1 PLC ± -	108-69096-001		
	2 PLC ± -	APPLICATION SPEC	SIZE	CAGE CODE
	3 PLC ± -		A3	00779
	4 PLC ± -		DRAWING NO C=2314524	
	ANGLES ± -	APPROX.WEIGHT	RESTRICTED TO	
MATERIAL	FINISH	5.6 kg	-	
		CUSTOMER DRAWING	SCALE	SHEET
			1:3	1 OF 1
			REV	B

ITEM:.....