

THIS DRAWING IS UNPUBLISHED.

RELEASED FOR PUBLICATION

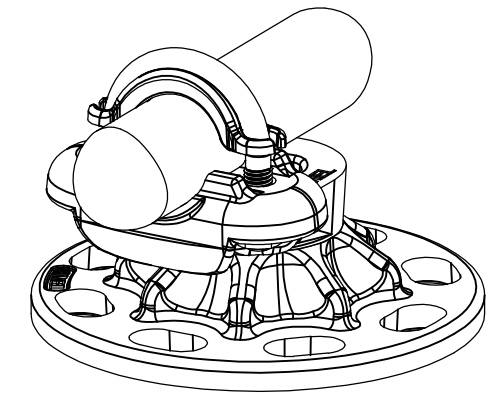
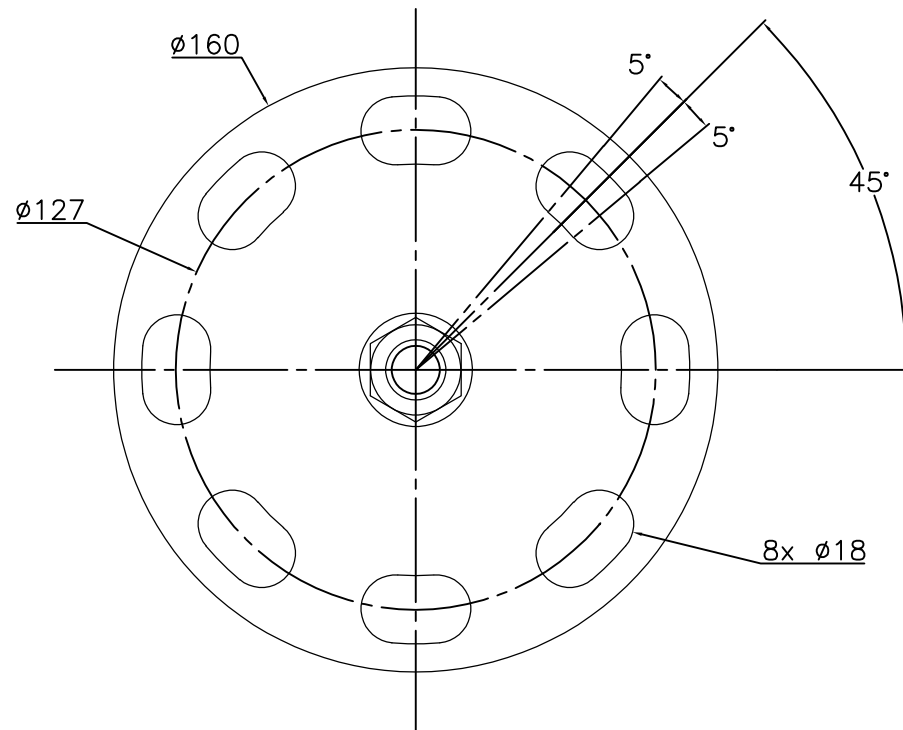
-. - .

© COPYRIGHT - By -

ALL RIGHTS RESERVED.

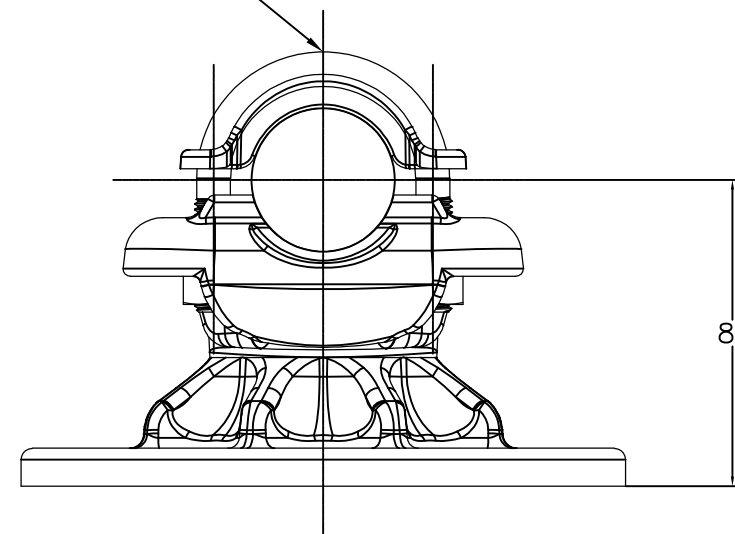
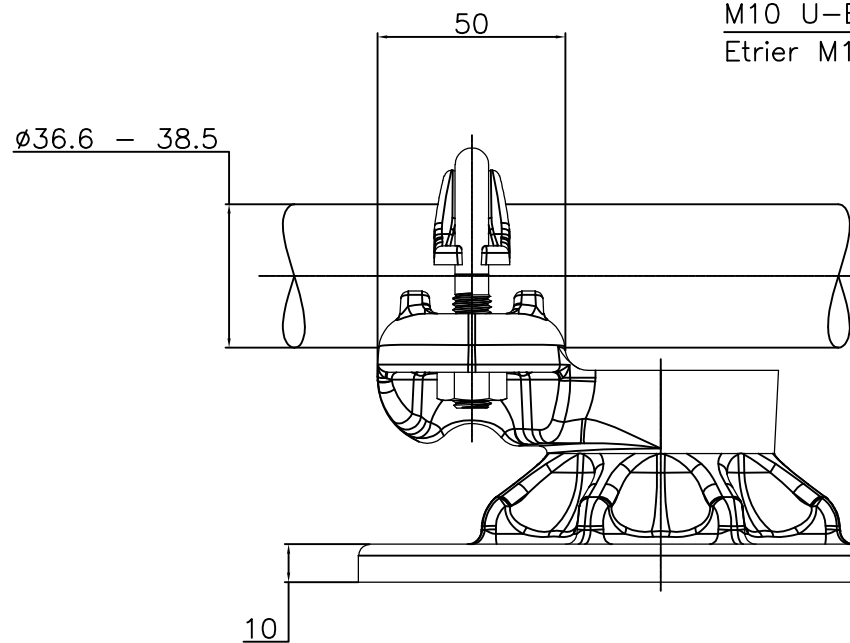
REVISIONS

P	LTR	DESCRIPTION	DATE	DWN	APVD
	A	CREATION	20-Fev-17	TC	-



No scale - sans echelle

M10 U-Bolts stainless steel A4: 37Nm
 Etrier M10 acier inoxydable A4: 37Nm



ITEM:.....

THIS DRAWING IS A CONTROLLED DOCUMENT.

DWN CHARTON 20-Fev-17

CHK -

APVD -

PRODUCT SPEC

108-69096-001

APPLICATION SPEC

-

APPROX.WEIGHT 1.2 kg

CUSTOMER DRAWING

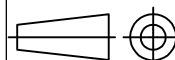


NAME
 Single conductor support on BPI
 Support de câble sur ISO
 5 CS 84 P5 M385

SIZE A3 CAGE CODE - DRAWING NO C=2314473 RESTRICTED TO -

SCALE 1/2 SHEET 1 OF 1 REV A

DIMENSIONS: mm



TOLERANCES UNLESS OTHERWISE SPECIFIED:

0 PLC	± -
1 PLC	± -
2 PLC	± -
3 PLC	± -
4 PLC	± -
ANGLES	± -
FINISH	-