

THIS DRAWING IS UNPUBLISHED.

RELEASED FOR PUBLICATION

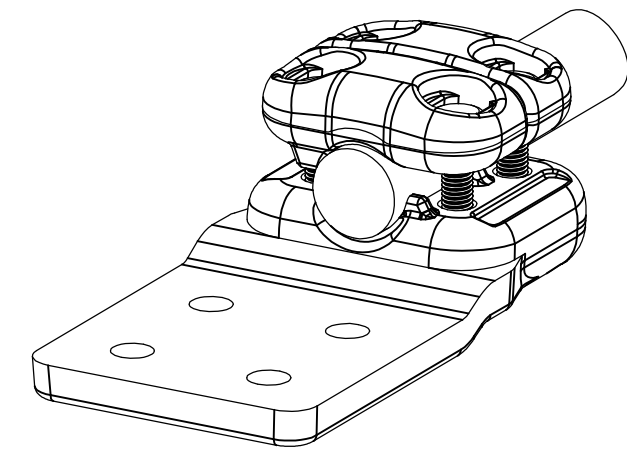
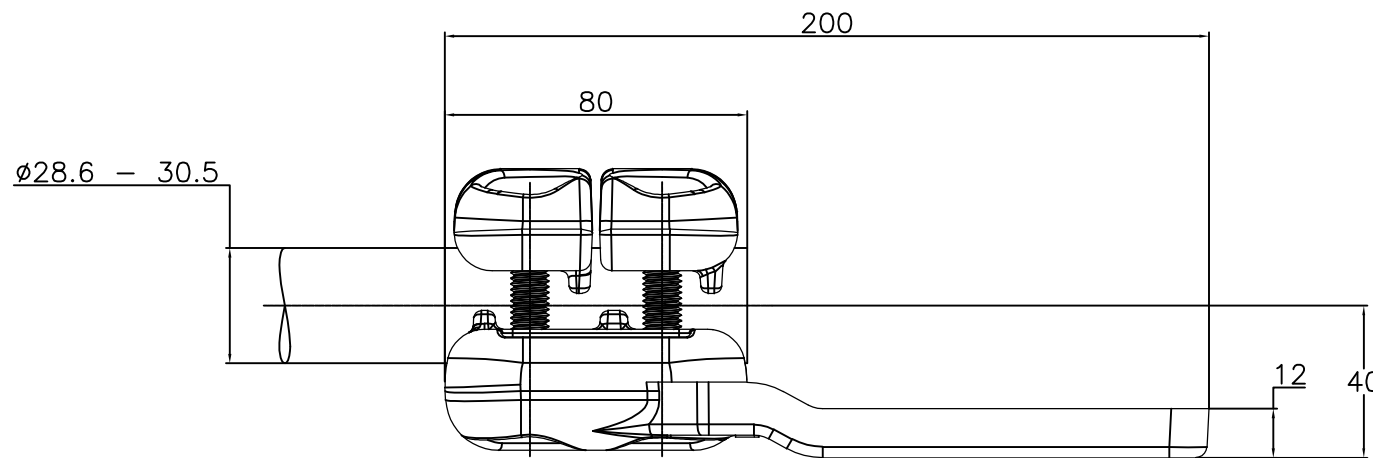
-. - .

© COPYRIGHT - By -

ALL RIGHTS RESERVED.

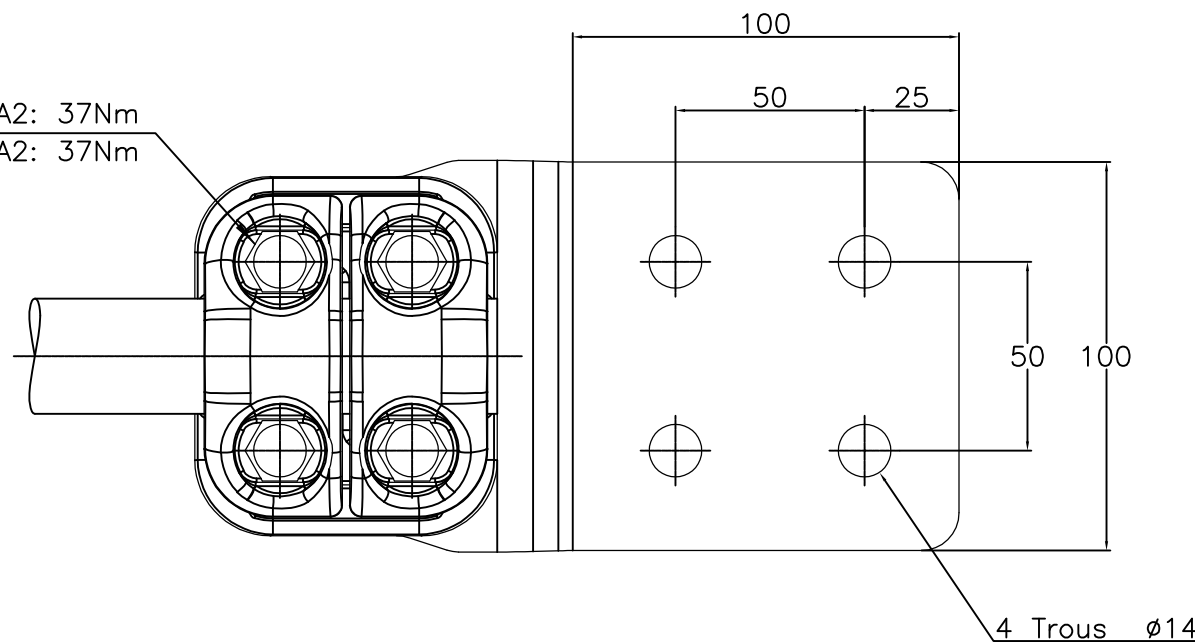
REVISIONS

P	LTR	DESCRIPTION	DATE	DWN	APVD
	A	CREATION	13-Fev-17	PG	-



No scale - sans echelle

M10 Bolts stainless steel A2: 37Nm
 Boulons M10 acier inoxydable A2: 37Nm



ITEM:.....

THIS DRAWING IS A CONTROLLED DOCUMENT.

DWN GARNIER P. 14-Fev-17

CHK -

APVD -

PRODUCT SPEC

108-69096-001

APPLICATION SPEC

APPROX.WEIGHT 1.5 kg

CUSTOMER DRAWING



NAME

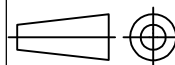
Pad connector for cable
 Raccord a plage pour cable
 5 PD 82 S305 100 C34

SIZE CAGE CODE DRAWING NO RESTRICTED TO

A3 - C=2314465

SCALE 1/2 SHEET 1 OF 1 REV A

DIMENSIONS: mm



TOLERANCES UNLESS OTHERWISE SPECIFIED:

0 PLC	$\pm -$
1 PLC	$\pm -$
2 PLC	$\pm -$
3 PLC	$\pm -$
4 PLC	$\pm -$
ANGLES	$\pm -$
FINISH	-

MATERIAL

-