

THIS DRAWING IS UNPUBLISHED.

RELEASED FOR PUBLICATION

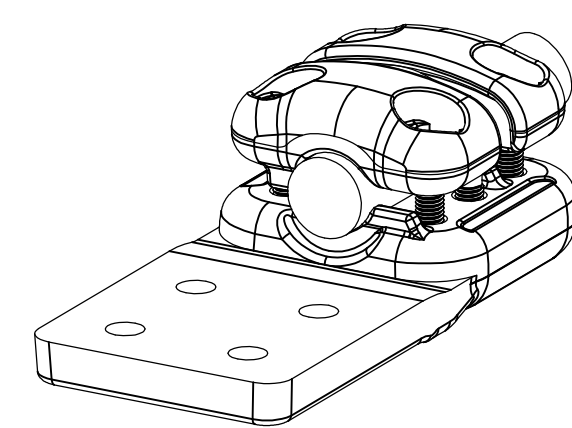
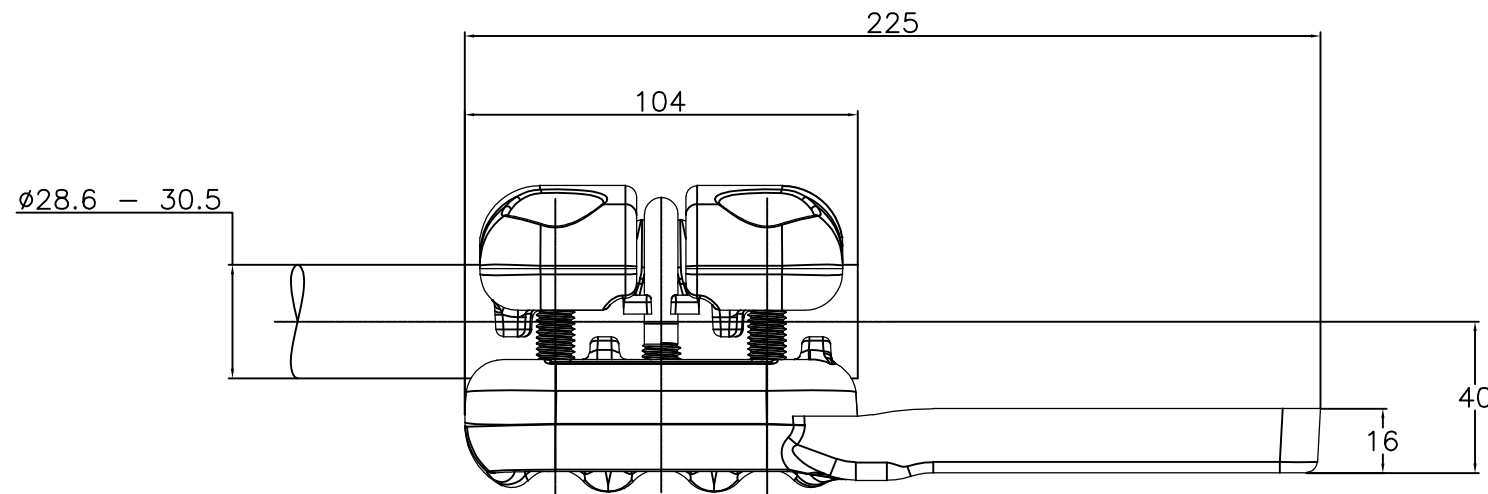
-. - .

© COPYRIGHT - By -

ALL RIGHTS RESERVED.

REVISIONS

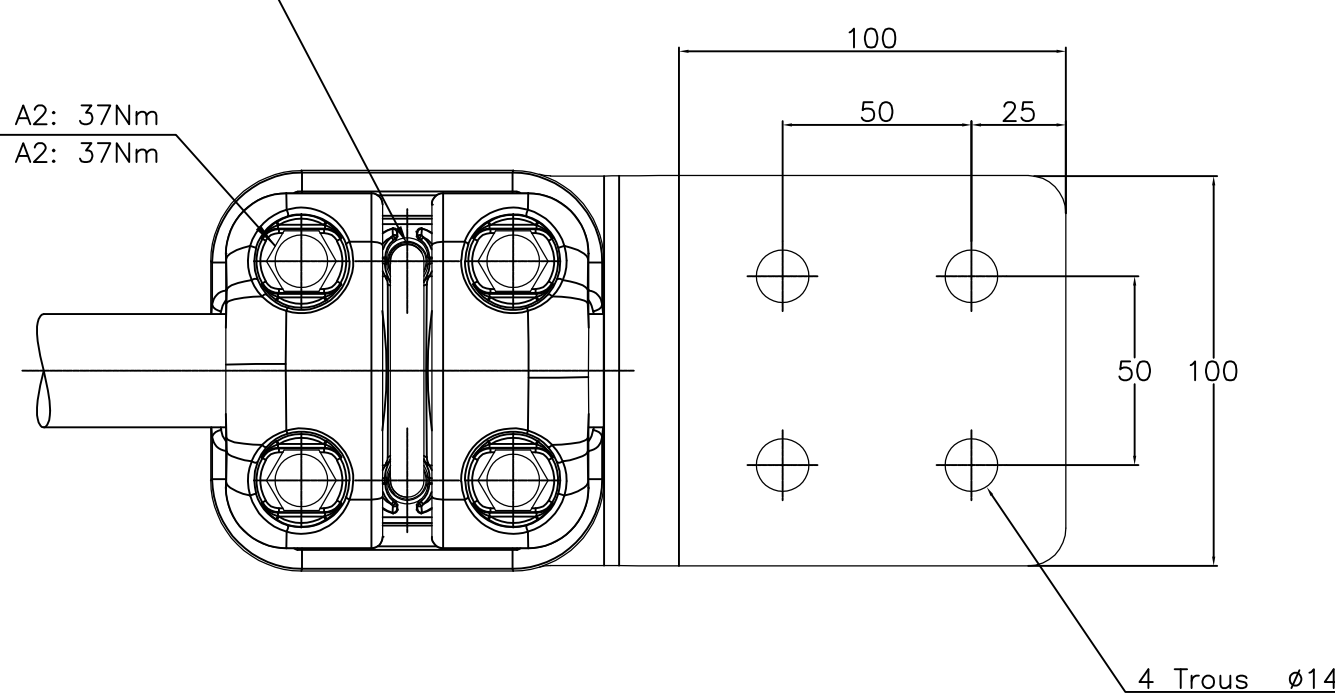
P	LTR	DESCRIPTION	DATE	DWN	APVD
	A	CREATION	13-Feb-17	TC	-



No scale - sans echelle

M10 stainless steel U-Bolt A4: 37Nm  
 Etrier M10 acier inoxydable A4: 37Nm

M10 Bolts stainless steel A2: 37Nm  
 Boulons M10 acier inoxydable A2: 37Nm



4 Trous ø14

ITEM:.....

THIS DRAWING IS A CONTROLLED DOCUMENT.		DWN	13-Feb-17		<b>STE</b> TE Connectivity
		CHK	-		
DIMENSIONS: mm		TOLERANCES UNLESS OTHERWISE SPECIFIED:		APVD	NAME Pad connector for conductor Raccord a plaque pour faisceau simple 5 PD 82 MR305 100 C34
				PRODUCT SPEC	
		0 PLC	± -	APPLICATION SPEC	108-69096-001
		1 PLC	± -		
		2 PLC	± -		
		3 PLC	± -		
		4 PLC	± -		
		ANGLES	± -		
MATERIAL		FINISH		APPROX.WEIGHT	1.6 kg
				SIZE	A3
				CAGE CODE	-
				DRAWING NO	©=2314462
				RESTRICTED TO	-
CUSTOMER DRAWING				SCALE	1/2
				SHEET	1 OF 1
				REV	A